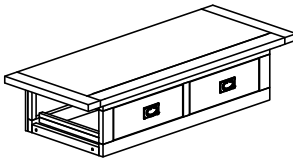
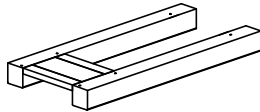







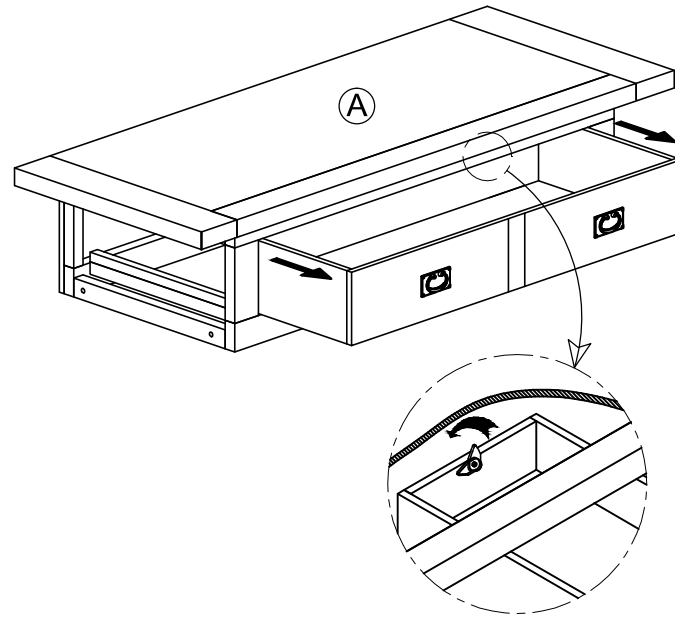


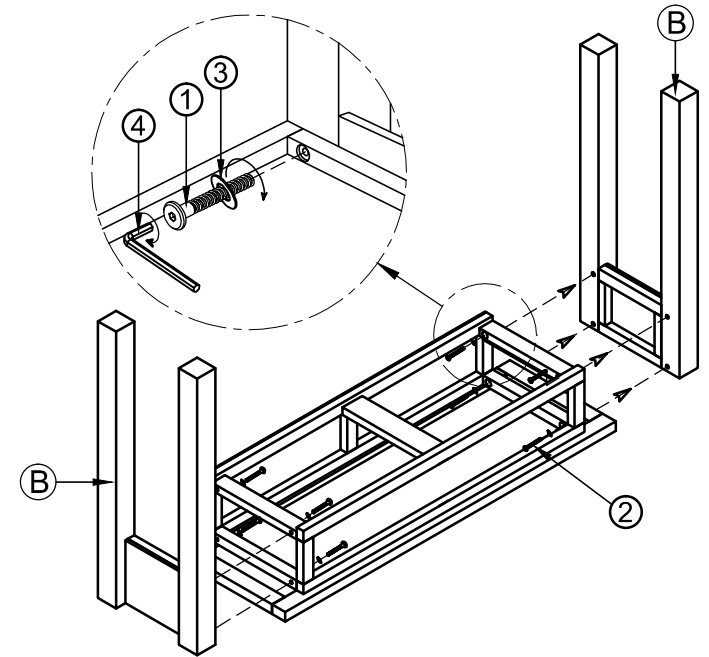
# ASSEMBLY INSTRUCTION

## G1188 - DRESSING TABLE SET - TABLE

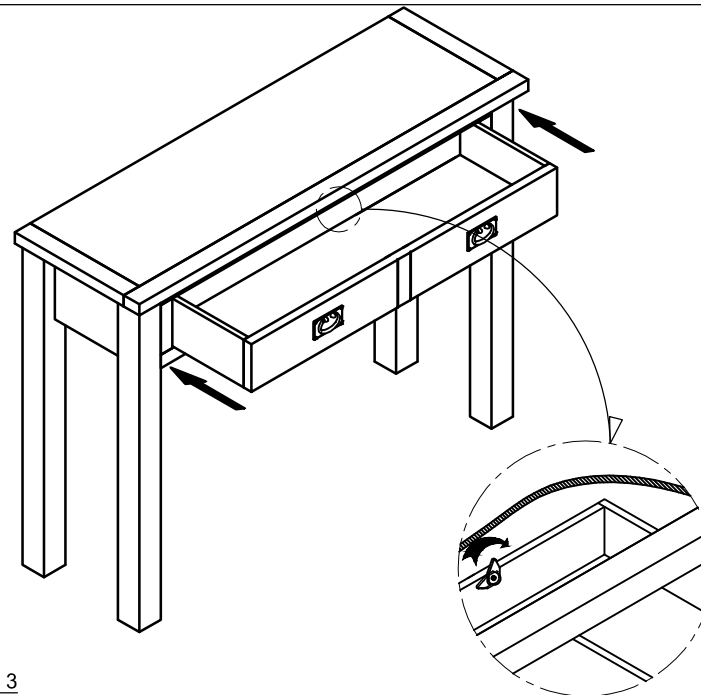
No	Name of Component	Q.ty
Ⓐ	 Table top frame	1
Ⓑ	 Leg	2
No	Name of Hardware	Q.ty
①	 Bolt M6 x 60	4
②	 Bolt M6 x 50	4
③	 Washer Ø7/Ø15 x 1	8
④	 Allen key K4	1
⑤	 Bracket	2
⑥	 Tie	1
⑦	 Screw Ø4 x 20	2



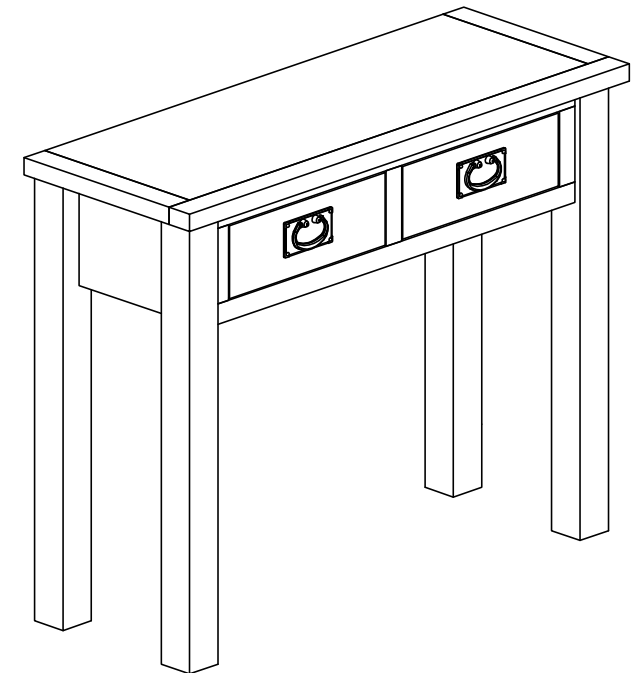
Step 1: Take out Drawers



Step 2



Step 3

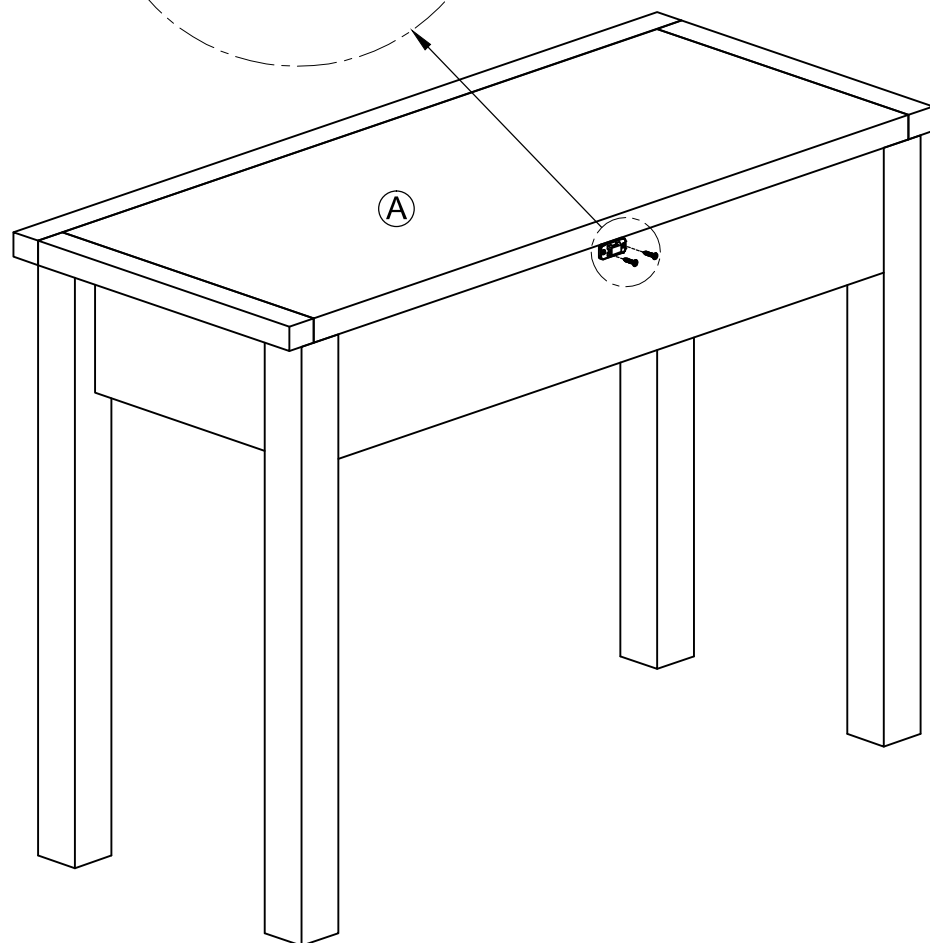
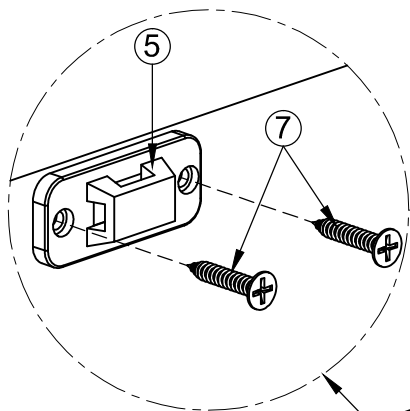


Step 4

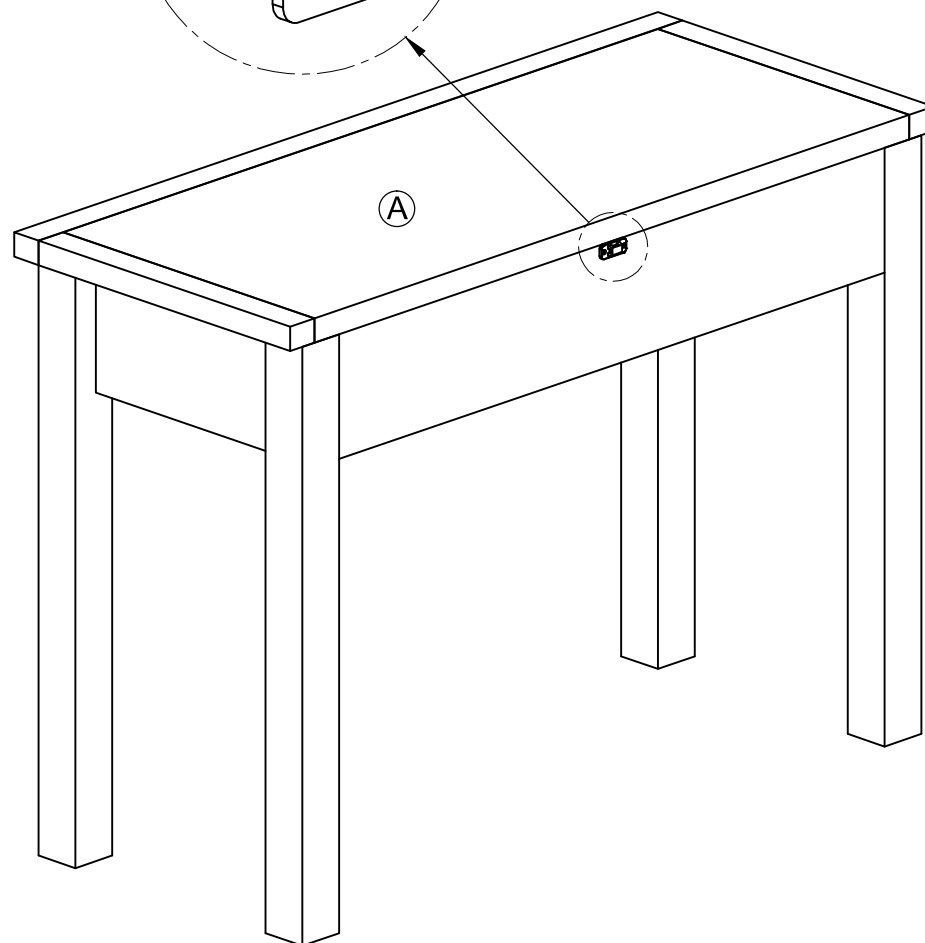
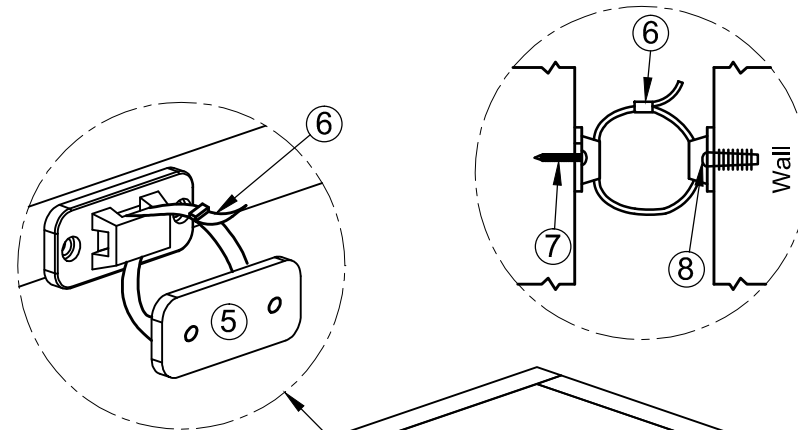
# ASSEMBLY INSTRUCTION

## G1188 - DRESSING TABLE SET - TABLE

Step 5

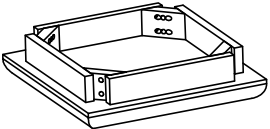
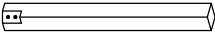



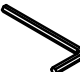


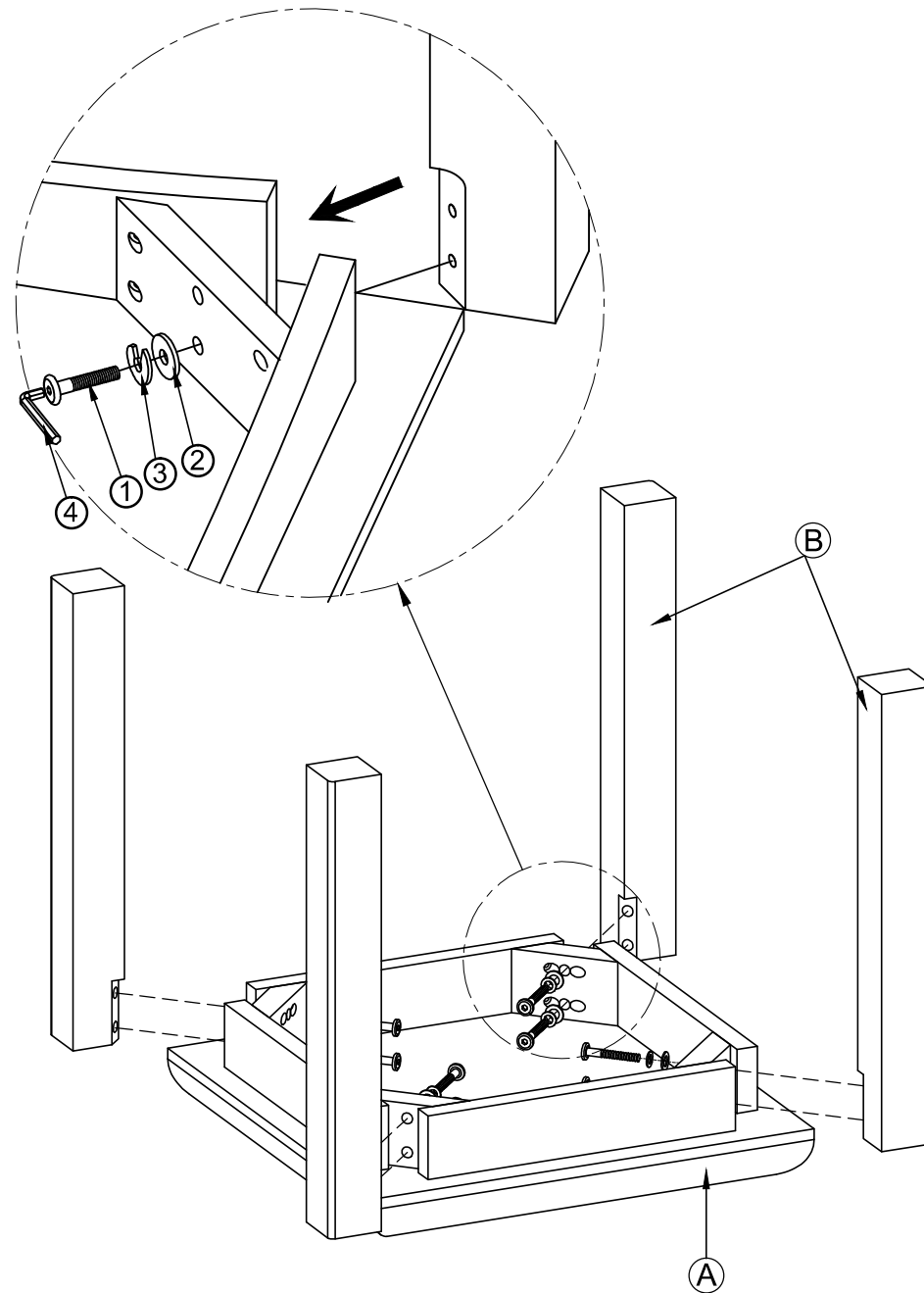
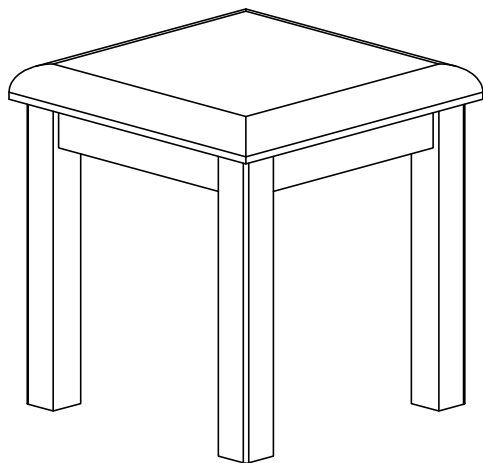
FINAL



# ASSEMBLY INSTRUCTION

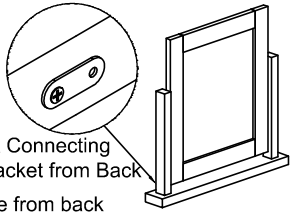
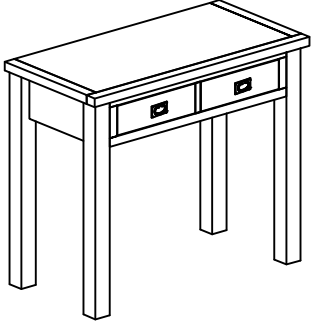

## G1188 - DRESSING TABLE SET - STOOL

No	Name of Component	Q.ty
Ⓐ	 Top frame	1
Ⓑ	 Leg	4
No	Name of Hardware	Q.ty
①	Bolt M6 x 50 	8
②	Washer Ø7/Ø15 x 1 	8
③	Spring Washer Ø7/Ø10 	8
④	Allen key K4 	1



# ASSEMBLY INSTRUCTION

## G1188 - DRESSING TABLE SET - MIRROR

No	Name of Component	Q.ty
(A)	 <p>Mirror</p> <p>Fix Connecting Bracket from Back</p> <p>See from back</p>	1
(B)	 <p>Dressing</p>	1
No	Name of Hardware	Q.ty
(1)	 <p>Screw Ø4 x 20</p>	3

