



KY462 GUEST BED

Thank you for your purchase. The following care instructions will allow you to make the most of your bed; helping to prolong the look and life of it by preventing wear and damage.

IMPORTANT INFORMATION

PLEASE ENSURE YOU READ THIS LEAFLET BEFORE USING YOUR BED. DO NOT DISCARD OF ANY PACKAGING UNTIL YOU HAVE CHECKED THE PRODUCT THOROUGHLY.

CARING FOR YOUR BED

- Pre-brush fabric with a soft brush and then gently vacuum.
- Plump any accent/removable cushions regularly to prevent them becoming mis-shaped or flat.
- Use a microfibre cloth to remove dust from wooden surfaces.
- In the event of a spill or stain, use specialist upholstery cleaner or cleaning services.


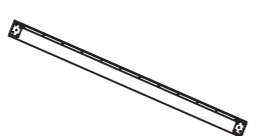
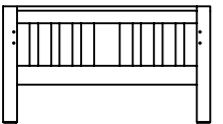
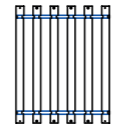
SUNLIGHT AND HEAT DAMAGE

- Avoid contact with direct sunlight. If needed move items or change their position to avoid the same area being exposed to repeated sunlight/heat.
- Do not place your chair close to fire places and/or radiators.
- Hot objects such as mugs/plates can permanently mark the fabric and wood, avoid placing these on the chair

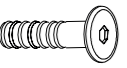



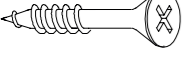
SAFETY WARNINGS

- Do not allow children or pets to climb or jump on the bed.
- Avoid contact with sharp objects such as buckles, toys and jewellery as these can easily snag, tear and/or pull the fabric.
- Avoid the risk of entrapment by using the bed as intended
- Keep small parts away and out of reach of children and pets.

PARTS LIST

BOX 1			BOX 2		
IMAGE	DESCRIPTION	QTY	IMAGE	DESCRIPTION	QTY
	Headboard	1		Side Rail	2
	Footboard	1		Slats	2 Sets

HARDWARE LIST

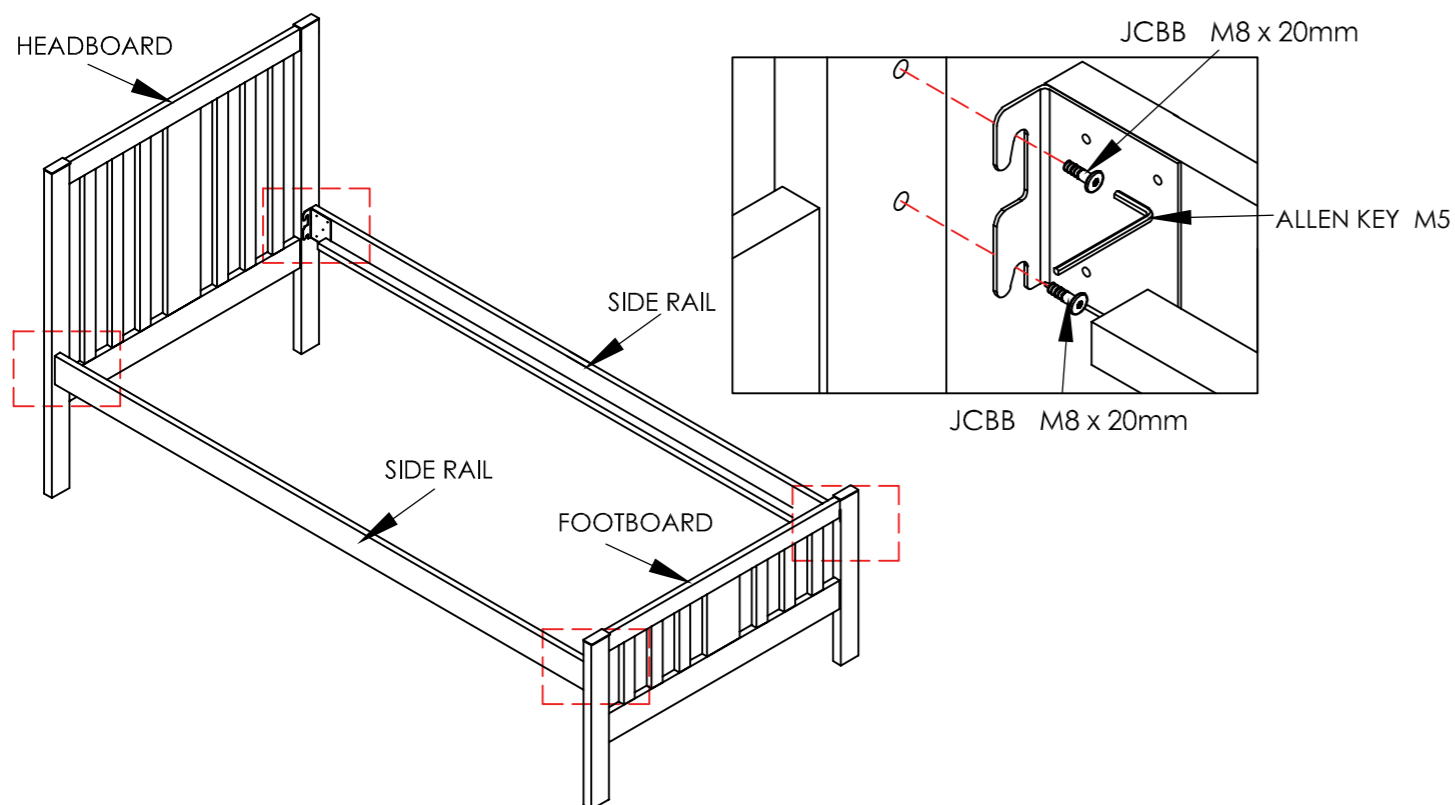
IMAGE	DESCRIPTION	QTY	IMAGE	DESCRIPTION	QTY
	JCBB M8 x 20mm	8		Allen Key M4	1
	JCBC-W M6 x 30mm	8		Allen Key M5	1
	Wood Screw 4.0 x 30mm	16			

ASSEMBLY INSTRUCTIONS

Unpack your bed and check that all the items on the Parts and Hardware Lists are present. If any are missing, please contact the retailer from whom you purchased the product. We would advise two people to assemble this product. You will require a Phillips (Cross-Head) Screwdriver. Avoid using power tools for assembly as this can cause bolts to be overtightened and/or frame damage.

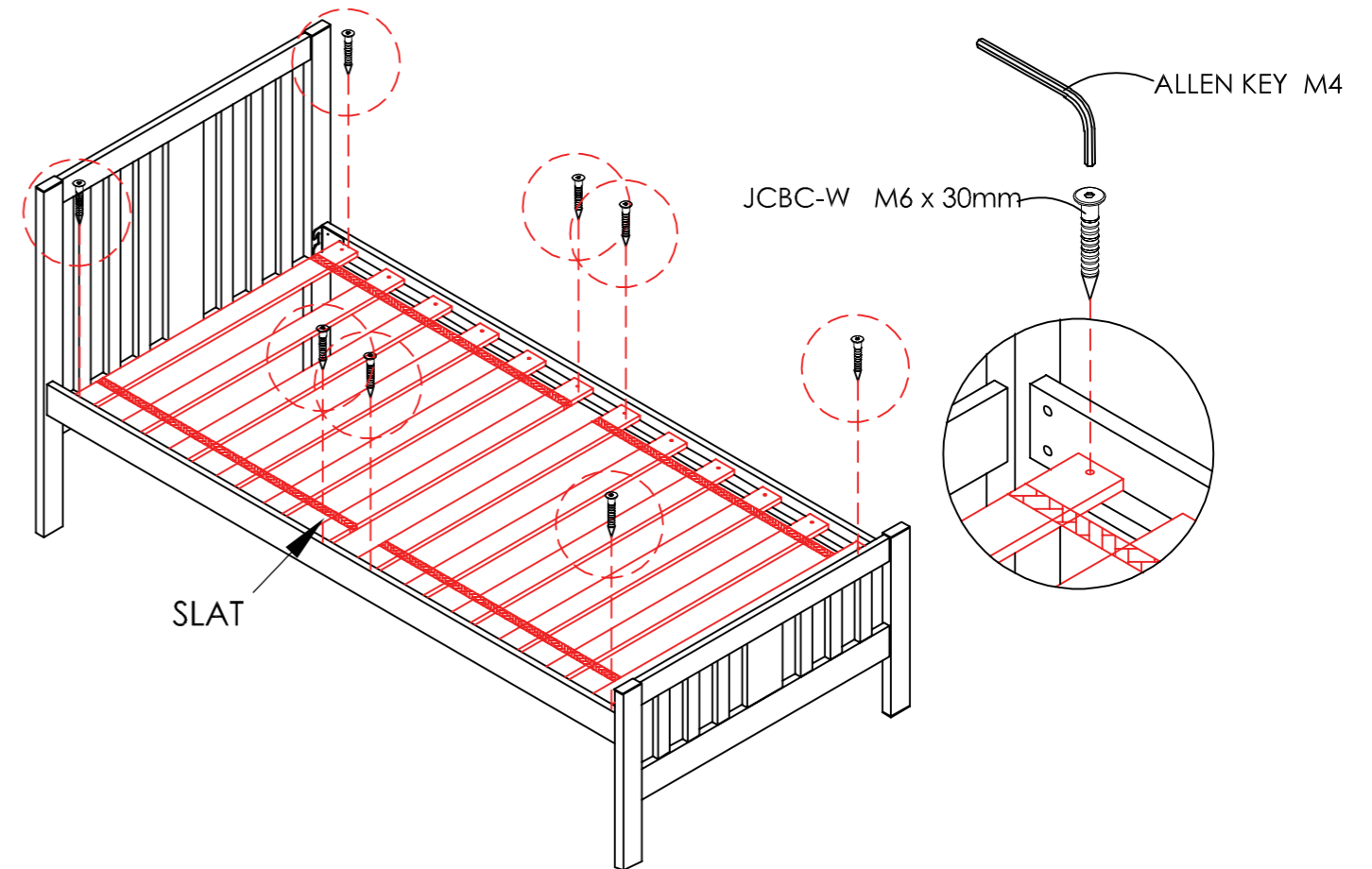
STEP 1

Attach the Side Rail to the Headboard and Footboard with JCBB M8 x 20mm using the Allen Key M5.



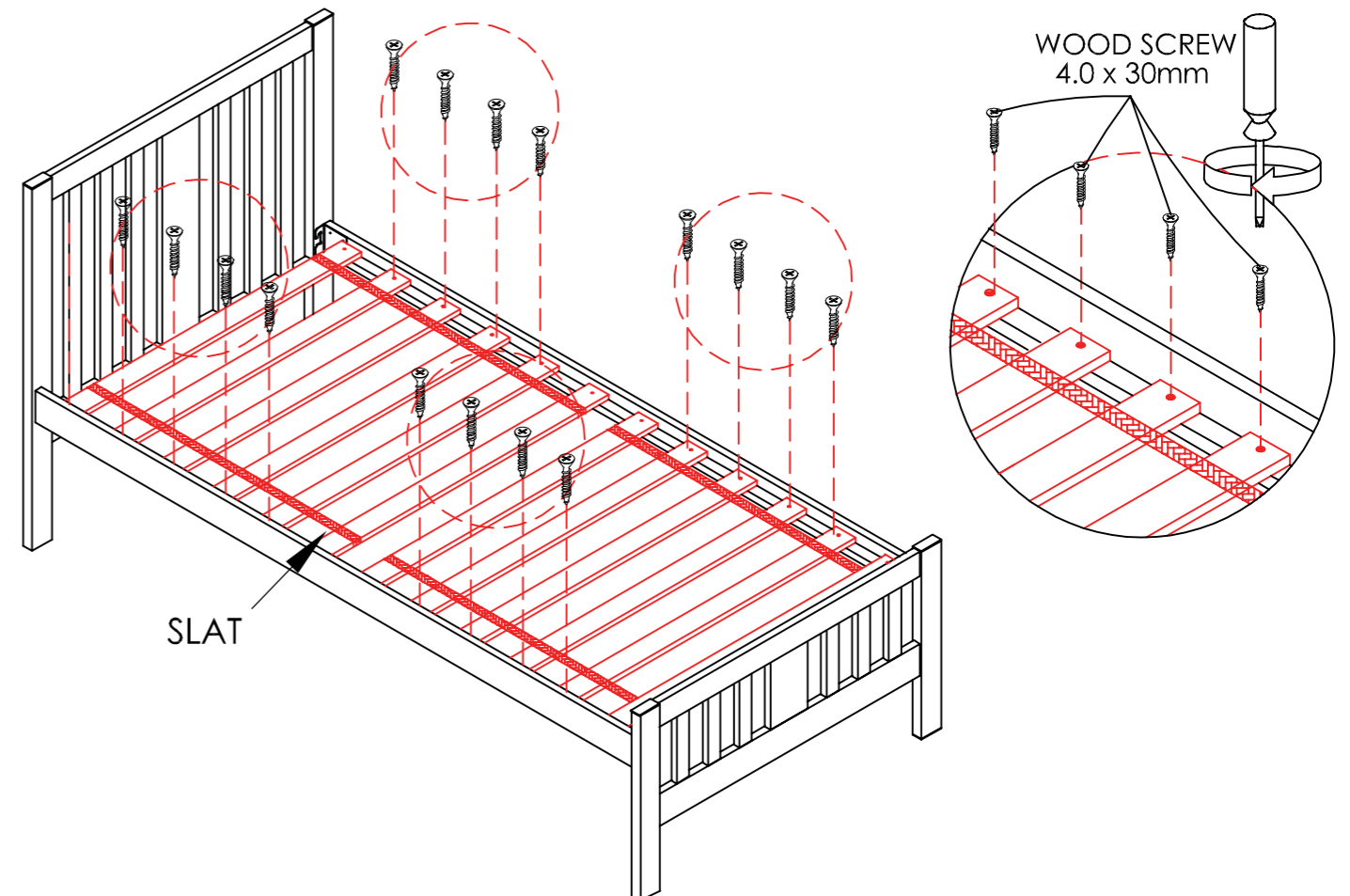
STEP 2

Lay the Slats, then using the JCBC-W M6 X 30mm Bolts, attach these to the Side Rail.



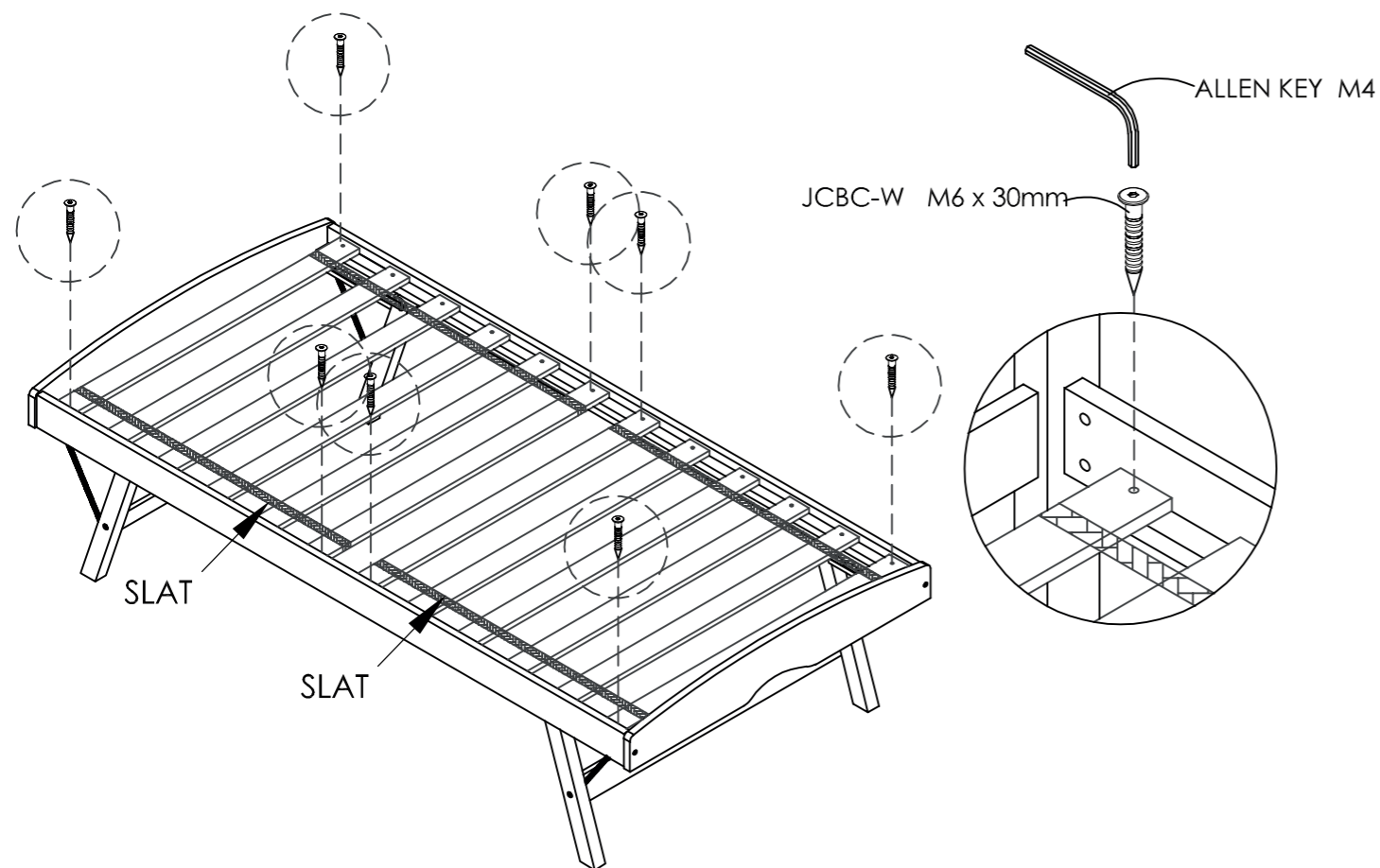
STEP 3

Use the Wood Screws 4.0 X 30mm to attach the remaining Slats to the Side Rail.



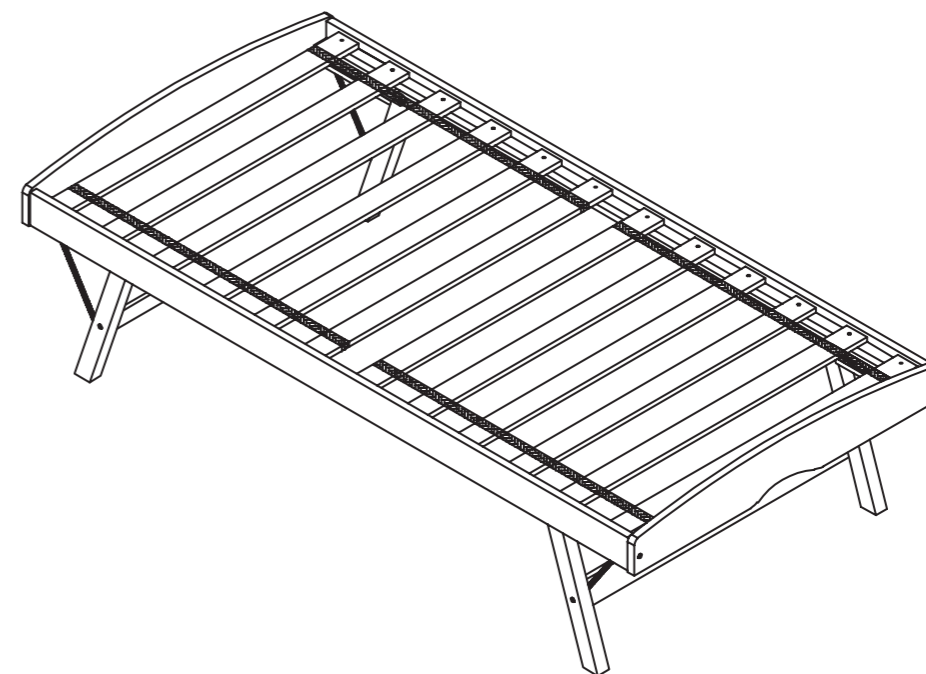
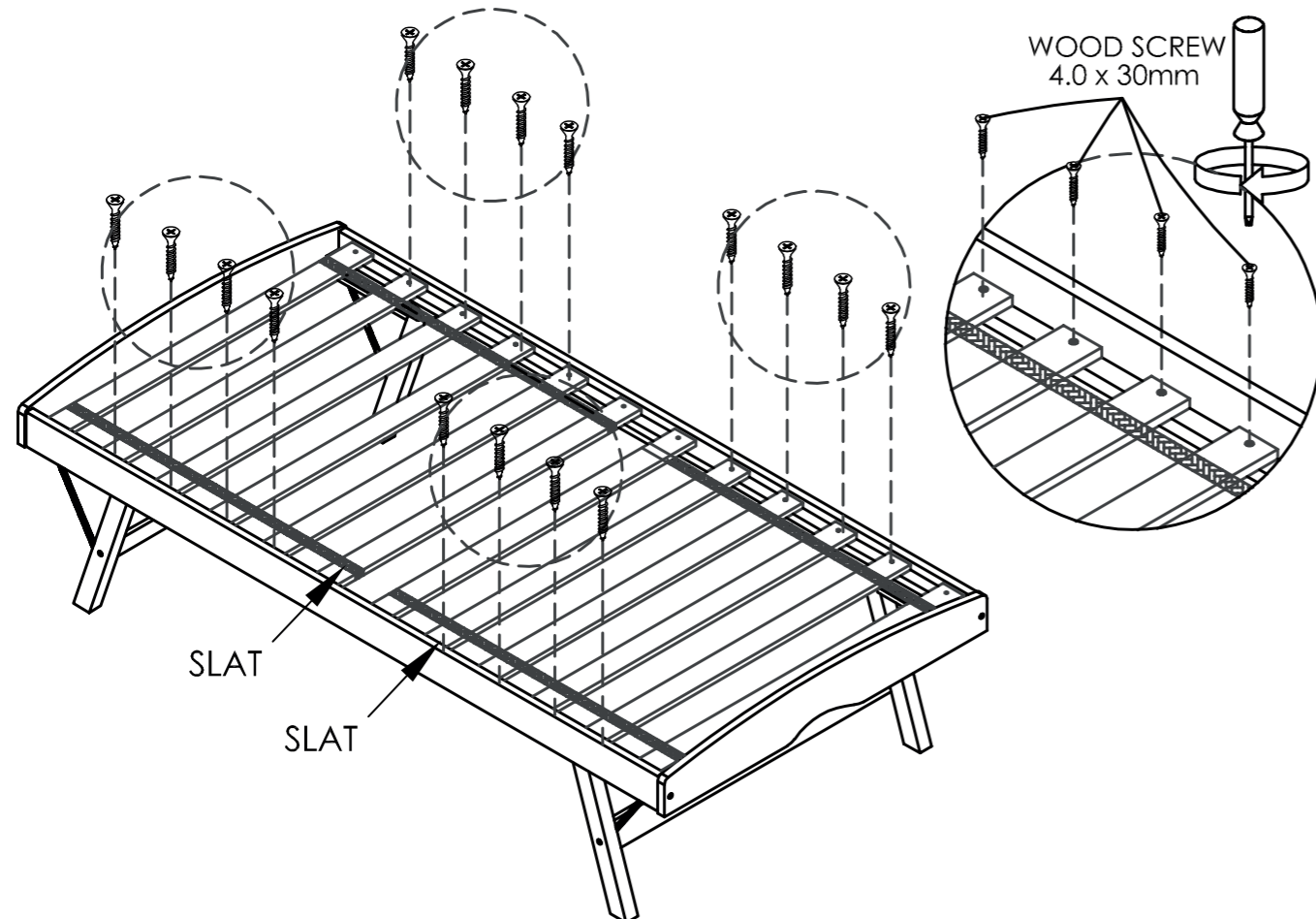
STEP 4

Lay the Slats, then using the JCBC-W M6 X 30mm Bolts, attach these to the Side Rail.



STEP 5

Use the Wood Screws 4.0 X 30mm to attach the remaining Slats to the Side Rail.



KY462 GUEST BED

Thank you for your purchase. The following care instructions will allow you to make the most of your bed; helping to prolong the look and life of it by preventing wear and damage.

IMPORTANT INFORMATION

**PLEASE ENSURE YOU READ THIS LEAFLET BEFORE USING YOUR BED.
DO NOT DISCARD OF ANY PACKAGING UNTIL YOU HAVE CHECKED
THE PRODUCT THOROUGHLY.**

CARING FOR YOUR BED

- Pre-brush fabric with a soft brush and then gently vacuum.
- Plump any accent/removable cushions regularly to prevent them becoming mis-shaped or flat.
- Use a microfibre cloth to remove dust from wooden surfaces.
- In the event of a spill or stain, use specialist upholstery cleaner or cleaning services.

SUNLIGHT AND HEAT DAMAGE

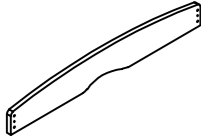
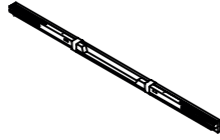
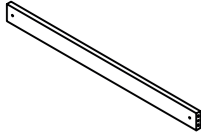
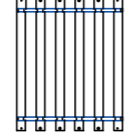
- Avoid contact with direct sunlight. If needed move items or change their position to avoid the same area being exposed to repeated sunlight/heat.
- Do not place your chair close to fire places and/or radiators.
- Hot objects such as mugs/plates can permanently mark the fabric and wood, avoid placing these on the chair

SAFETY WARNINGS



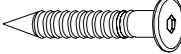

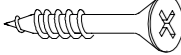


- Do not allow children or pets to climb or jump on the bed.
- Avoid contact with sharp objects such as buckles, toys and jewellery as these can easily snag, tear and/or pull the fabric.
- Avoid the risk of entrapment by using the bed as intended
- Keep small parts away and out of reach of children and pets.

PARTS LIST

BOX 3

IMAGE	DESCRIPTION	QTY	IMAGE	DESCRIPTION	QTY
	End Panel	2		Side Rail	2
	Leg Bar	2		Slats	2 Sets

HARDWARE LIST

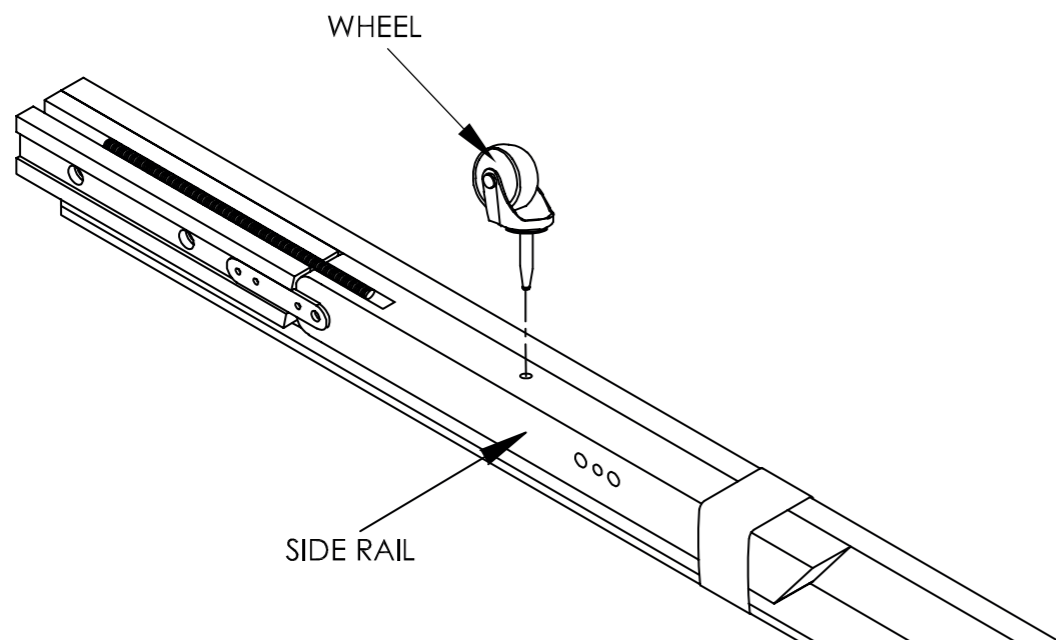
IMAGE	DESCRIPTION	QTY	IMAGE	DESCRIPTION	QTY
	JCBC M6 x 70mm	8		Barrel Nut M6 x 13mm	8
	JCBC-W M6 x 30mm	8		Wooden Dowel 10 x 30mm	16
	Wood Screw 4.0 x 30mm	16		Wheel	4
	Allen Key M4	1			

ASSEMBLY INSTRUCTIONS

Unpack your bed and check that all the items on the Parts and Hardware Lists are present. If any are missing, please contact the retailer from whom you purchased the product. We would advise two people to assemble this product. You will require a Phillips (Cross-Head) Screwdriver and a Rubber Mallet (or something similar). Avoid using power tools for assembly as this can cause bolts to be overtightened and/or frame damage.

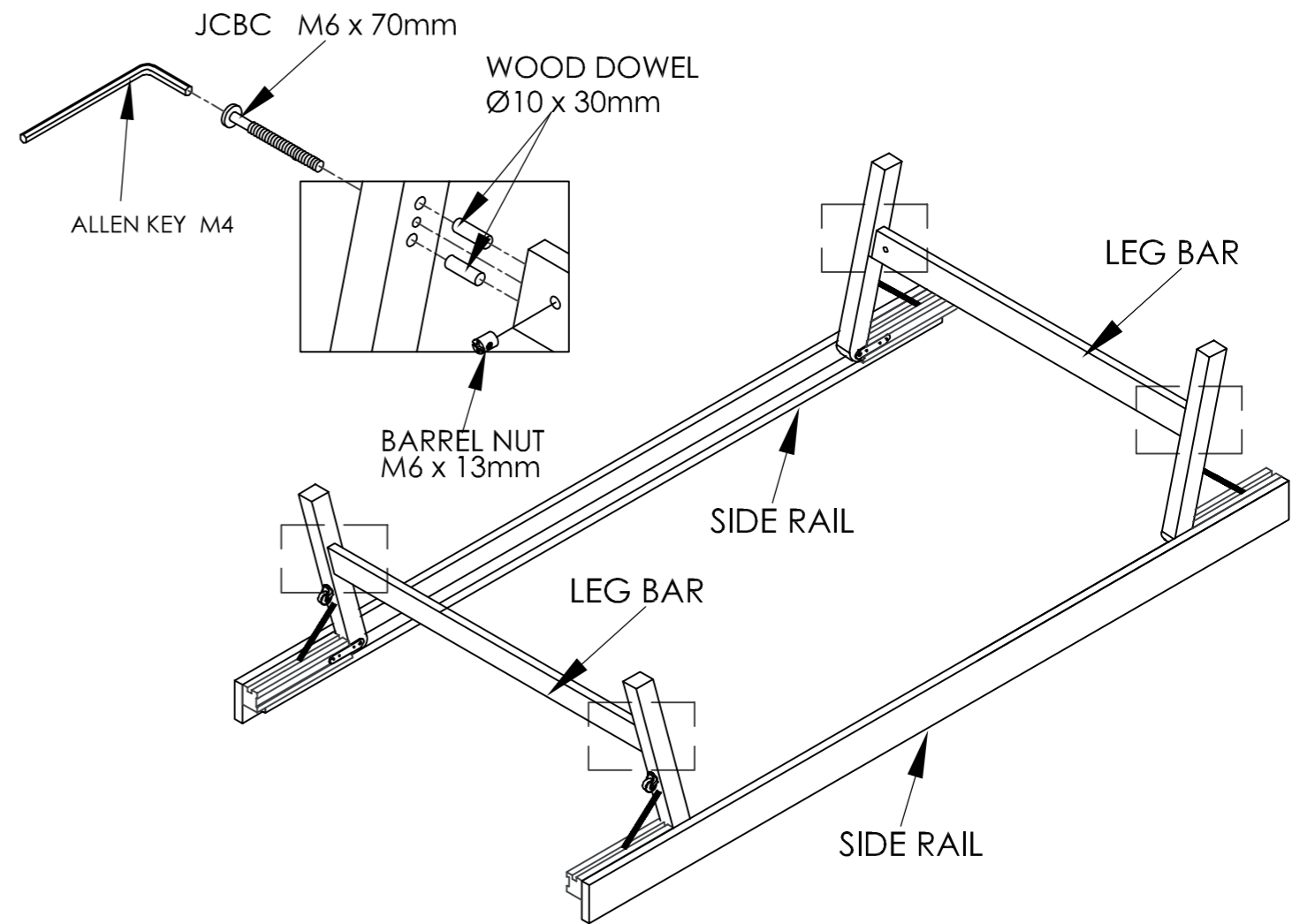
STEP 1

Using a Rubber Mallet (or something similar) carefully attach the Wheels to the Side Rails and ensure they are fully inserted. **WARNING:** Take care when removing the packing strap as the leg will spring up upon cutting these.



STEP 2

Attach the Leg Bars to the Side Rails with Bolts and Barrel Nuts, using the Allen Key to tighten.



STEP 3

Attach the End Panels to the Side Rails with Bolts and Barrel Nuts, using the Allen Key to tighten.

