



CARE OF YOUR KY050 SIDELIFT OTTOMAN

Do not discard any of the packaging until you have checked the product.




Outlined below are General Care Instructions that will help prolong the look and life of your bed by preventing wear and damage.

PLEASE NOTE: The Fabric on this product is Flame Retardant treated and therefore should be Specialist Upholstery cleaned only






CLEAN REGULARLY:

-  Remove dust by pre-brushing with a soft brush
-  Gently Vacuum all areas

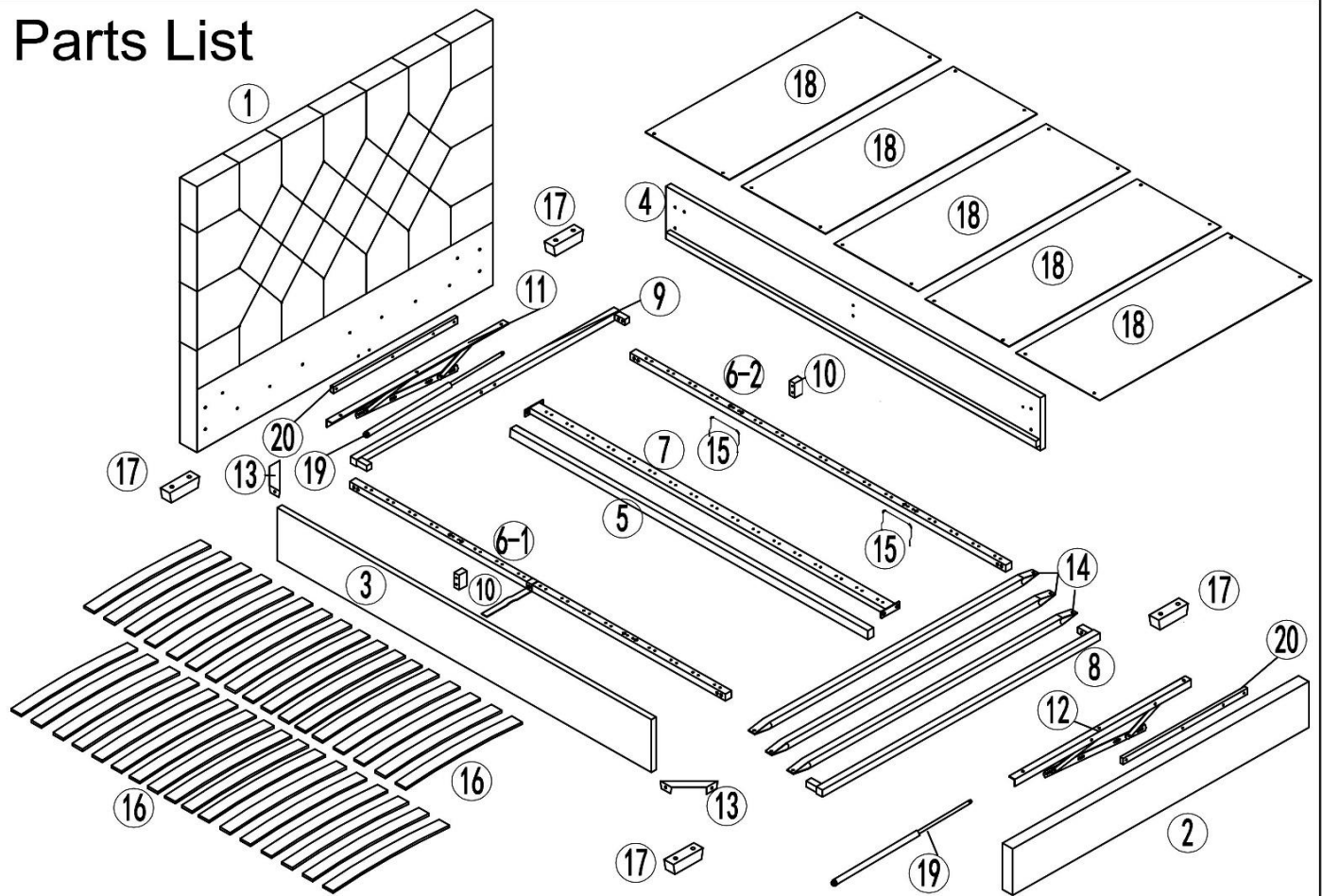
SUNLIGHT AND HEAT

-  Direct sunlight or heat can cause fabrics to deteriorate or fade. Protect them by situating your furniture out of the way of prolonged direct sunlight or by drawing curtains and blinds when applicable.
-  Avoid placing furniture too close to fires or radiators.
-  Reduce potential damage by moving items around or changing position so that the same piece or area is not always exposed.

SAFETY WARNINGS

-  **ENTRAPMENT WARNING: KEEP HANDS CLEAR WHEN USING THE OTTOMAN TO AVOID FINGER ENTRAPMENT. DO NOT ALLOW CHILDREN TO USE THE OTTOMAN.**
-  Never allow children to jump on the bed.
-  Do not allow domestic pets to climb on the bed chew or claw it; oils and greases from animals will cause deterioration in the appearance of the fabric.
-  Sharp objects such as buckles, toys and jewellery can easily snag on the fabric and produce tears and pulls the fabric.
-  Hot objects such as the heat from cups and mugs can permanently disfigure upholstery.

Parts List



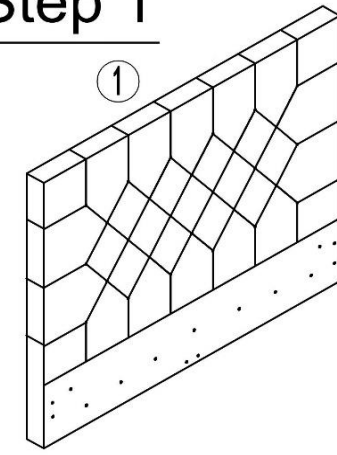
Hardware list

Label	Picture	Description	Qty	Label	Picture	Description	Qty
A		Single Plastic Cap	34	I		Bolt M6x20	8
B		Double Plastic Cap	17	J		Screw 3.5x15	4
C		Bolt M8x35	8	K		Metal Frame "U"	2
D		Bolt M8x20	28	L		Connection Plate Left	2
E		Bolt M6x60	4	R		Connection Plate Right	2
F		Washer M8	8	M		Screw 4x30	20
G		Nut M8	4	N		Screw 5x50	8
H		Bolt M8x15	12				

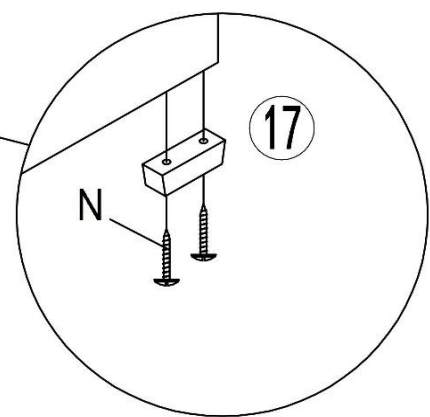
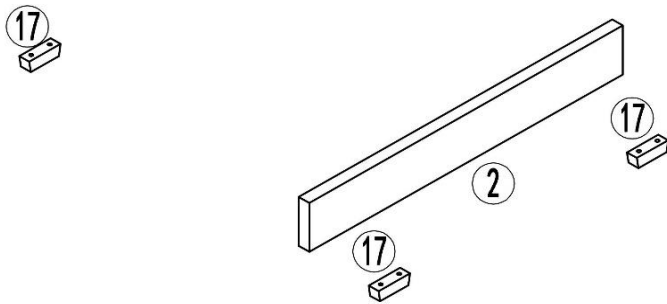
Tool list

Label	Picture	Description	Qty
T-1		Screw driver (not provided)	1
T-2		Allen key M5	1
T-3		Allen key M4	1
T-4		Spanner	1

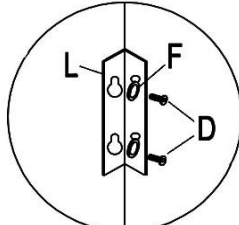
Step 1



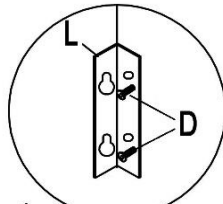
N  8pcs
Screw 5x50



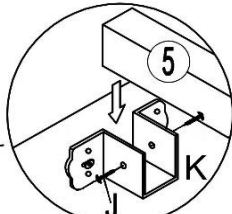
Step 2



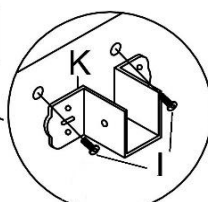
Step 2b



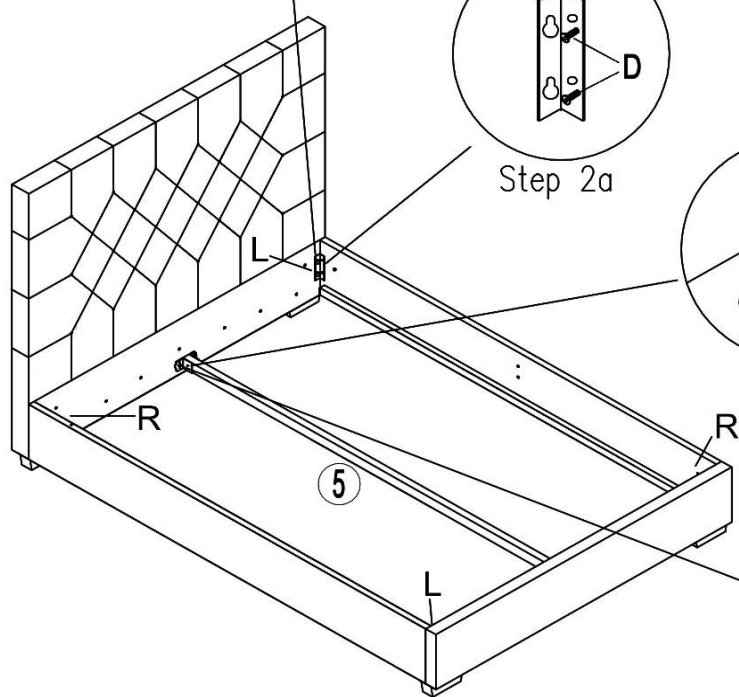
Step 2a

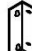








Step 2d



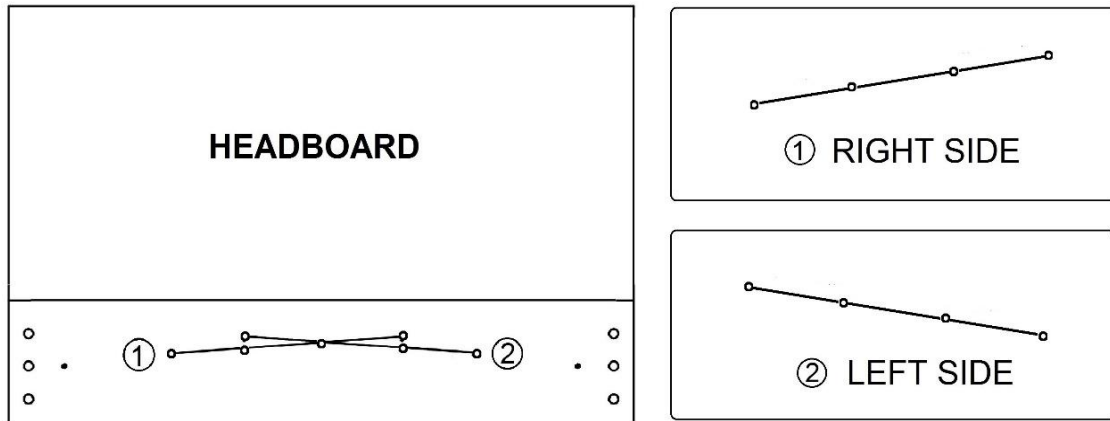
Step 2c



L  2pcs Connection Plate Left	R  2pcs Connection Plate Right	F  8pcs Washer M8	D  16pcs Bolt M8x20
I  4pcs Bolt M6x20	J  4pcs Screw 3.5x15	K  2pcs Metal Frame "U"	

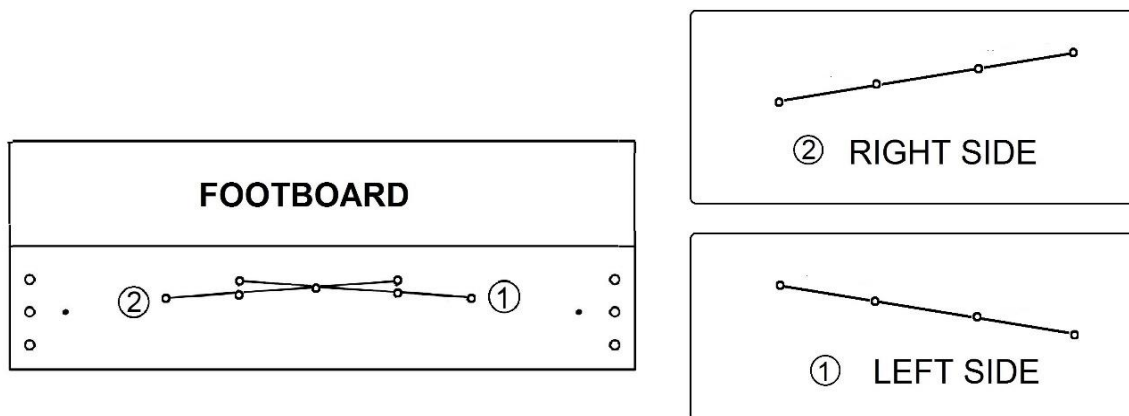
Step 3

Fixing Folding Mechanism to Headboard.



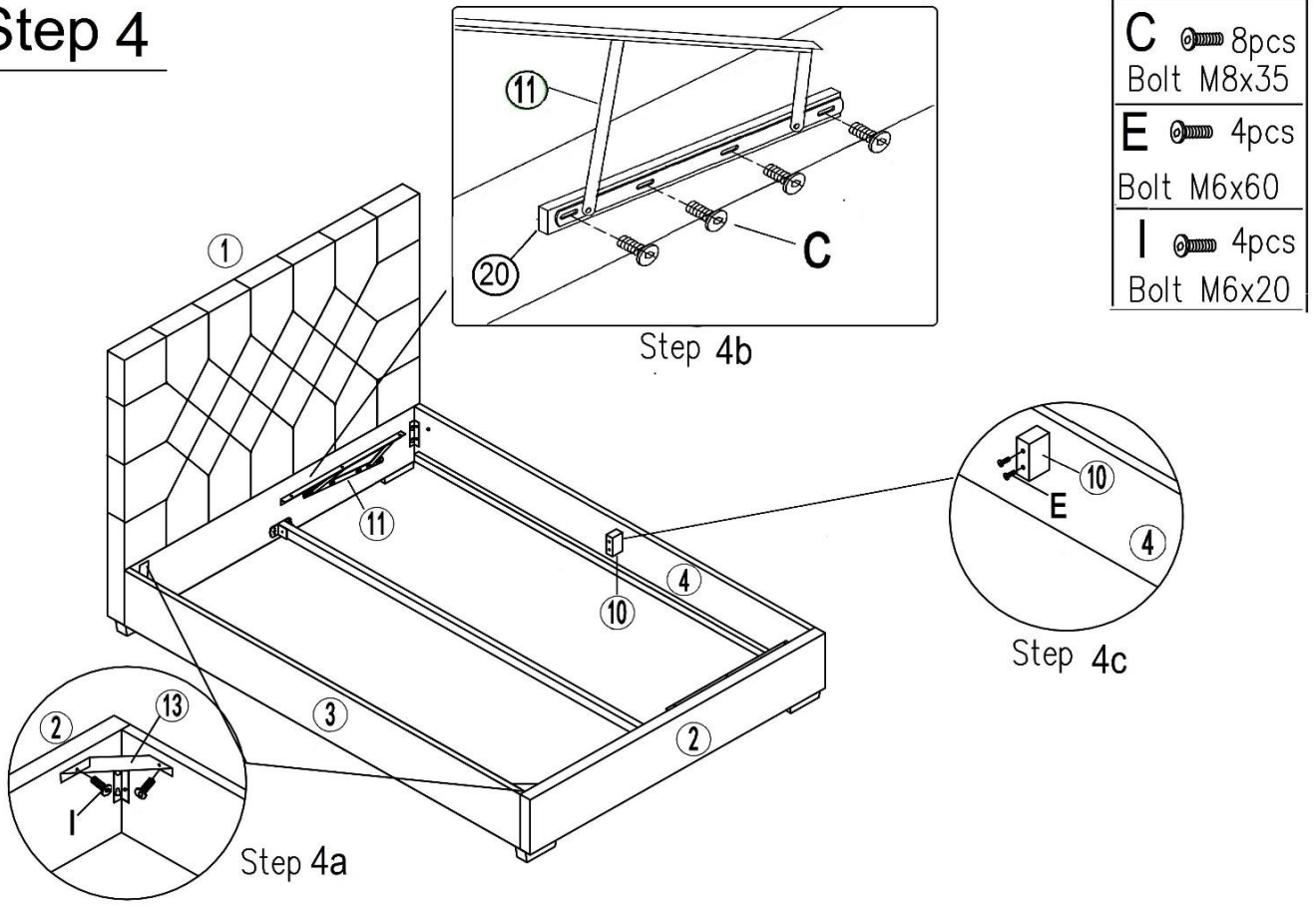
Step 3a : **HEADBOARD** - The holes with inserted nut on the headboard are for the installation of the gaslift Folding mechanism, for the ottoman to be Installed and lifted on the **LEFT** or **RIGHT** side of the bed, at user's choice.

Fixing Folding Mechanism to Footboard.



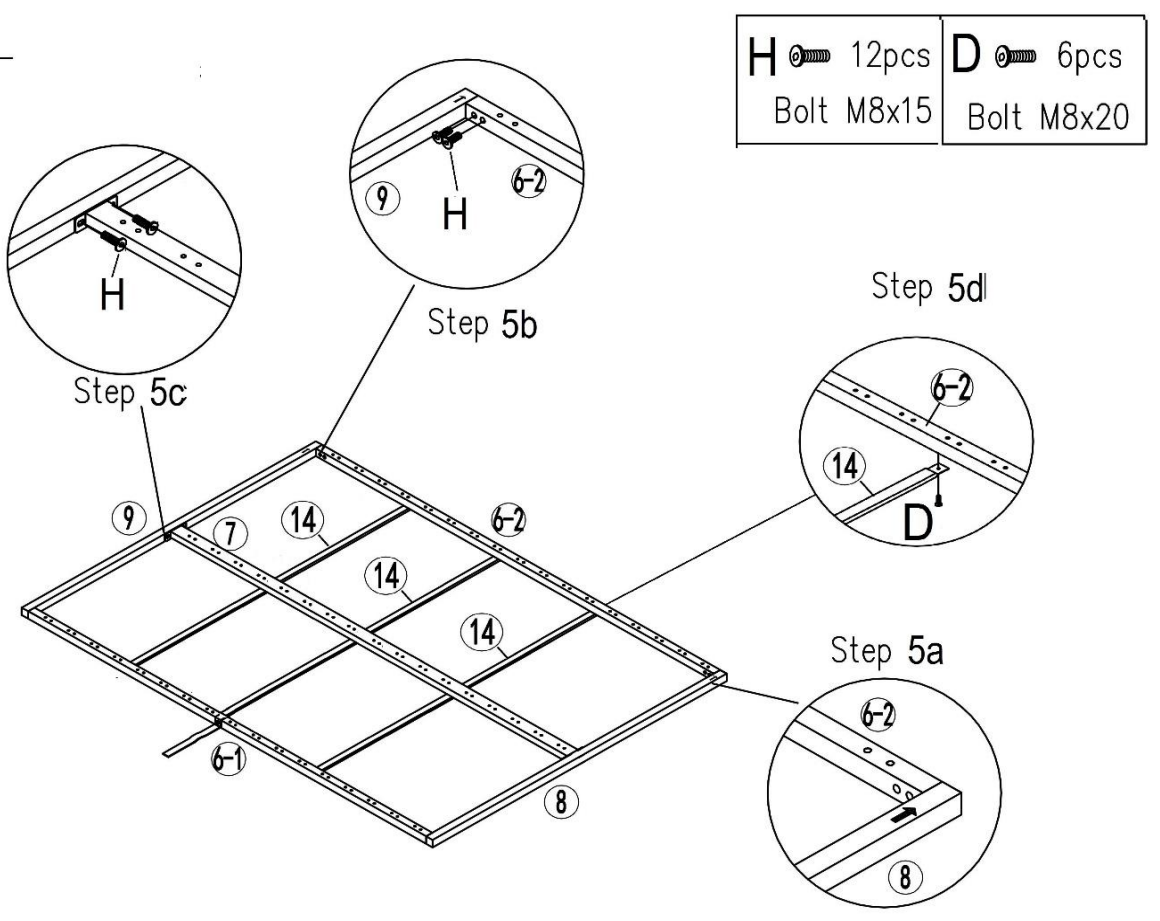
Step 3b : **FOOTBOARD** - The holes with inserted nut on the footboard are for the installation of the gaslift Folding mechanism, for the ottoman to be Installed and lifted on the **LEFT** or **RIGHT** side of the bed, at user's choice.

Step 4



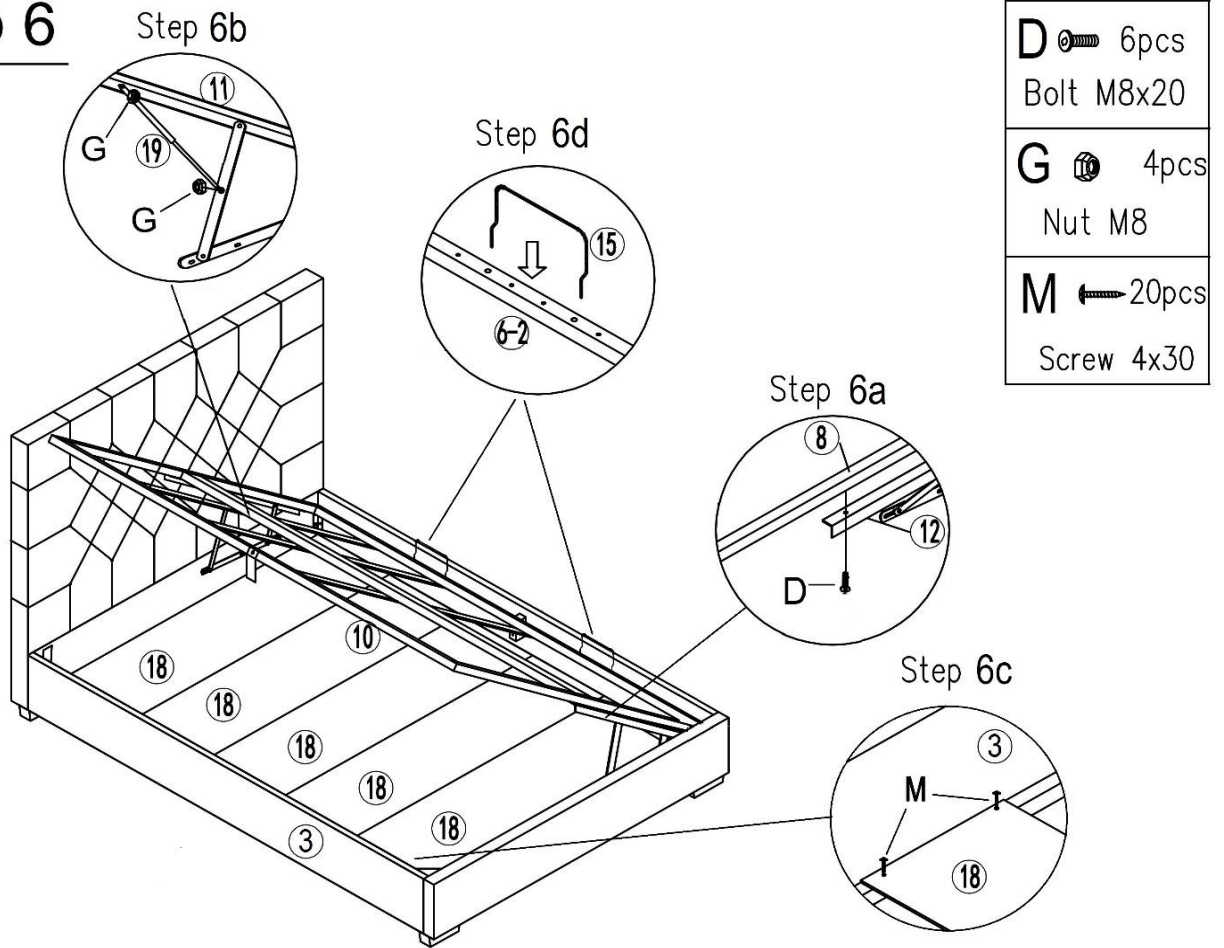
- | | |
|----------|------------|
| C | 8pcs |
| | Bolt M8x35 |
| E | 4pcs |
| | Bolt M6x60 |
| I | 4pcs |
| | Bolt M6x20 |

Step 5

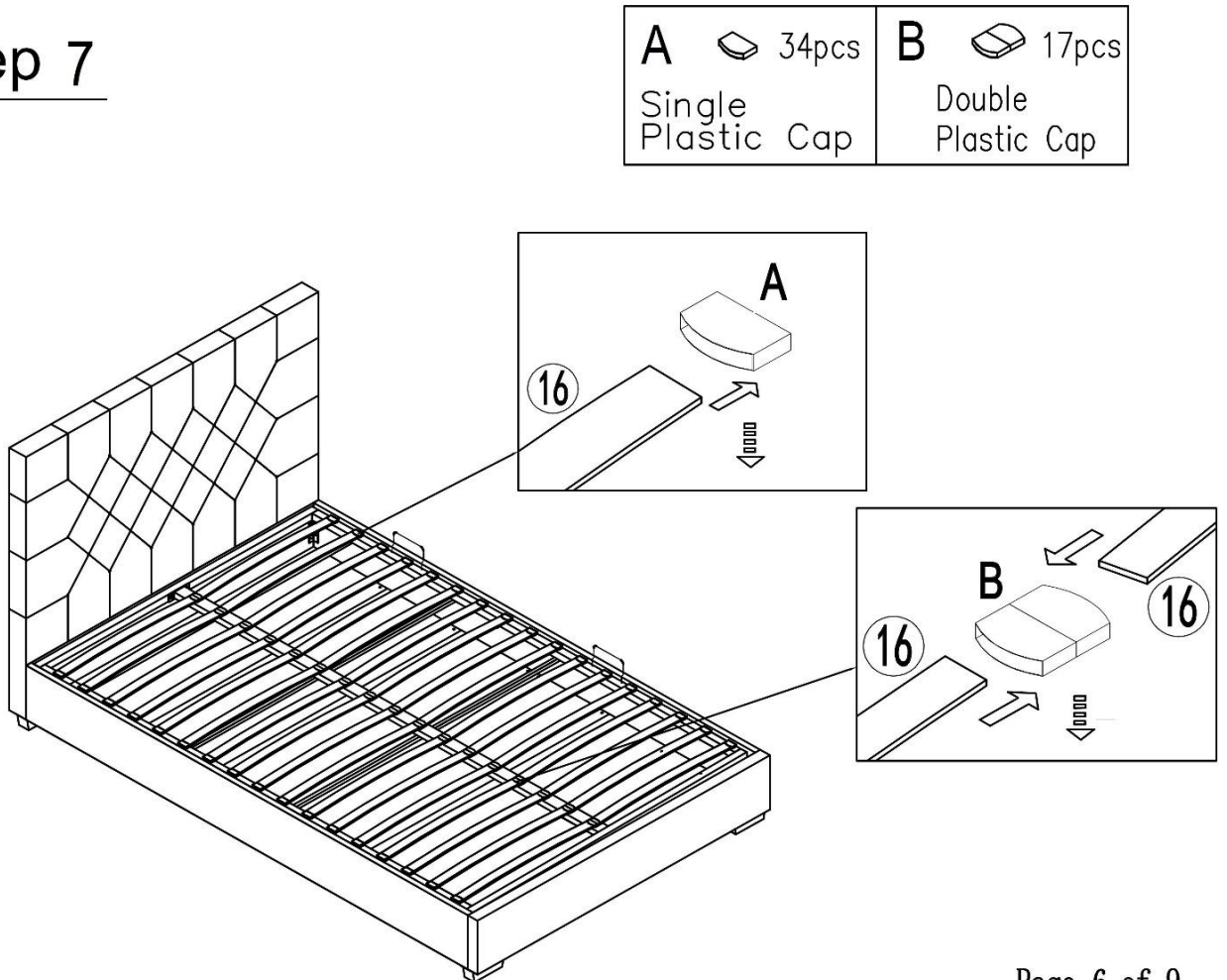


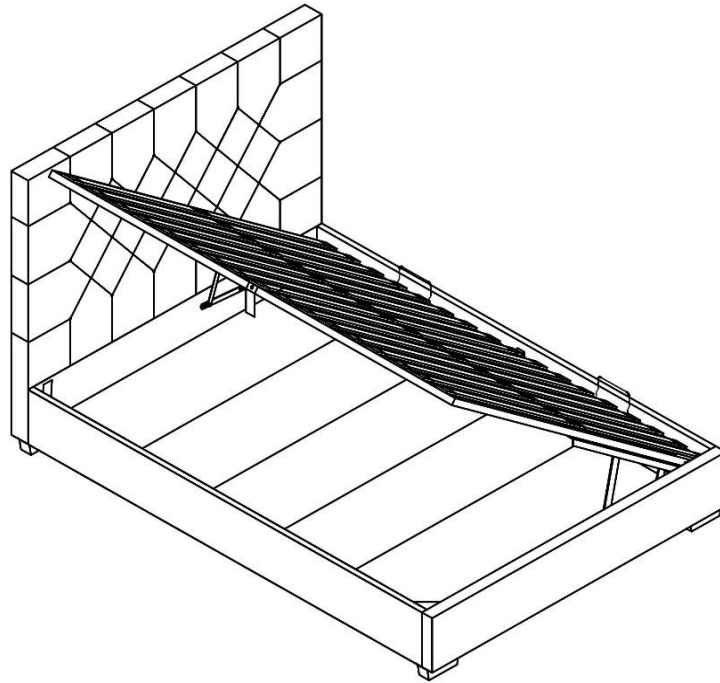
- | | | | |
|----------|------------|----------|------------|
| H | 12pcs | D | 6pcs |
| | Bolt M8x15 | | Bolt M8x20 |

Step 6

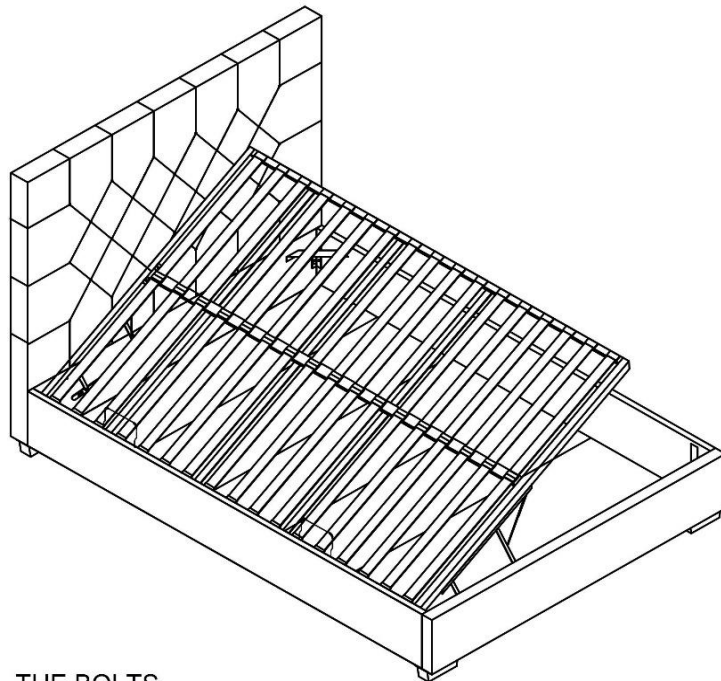


Step 7

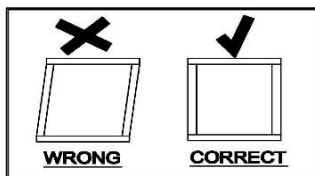




OR



BEFORE TIGHTEN ALL THE BOLTS
ENSURE THAT THE BED IS SQUARED,
AS SHOWN IN THE DRAWING BELOW.



IMPORTANT NOTICE

OTTOMAN OPERATING INSTRUCTIONS

Once your bed frame is completely assembled the slat frame will not operate correctly unless a mattress is placed on the slat frame. Place the mattress on the slat frame whilst it is in the closed position. Use the strap handle and pull up to Open the ottoman.

To Close use 2 hands at arm's length to push down the bed frame end, in between the 2 rows of bed slates. DO NOT use the strap handle to close the ottoman.

PLEASE NOTE - it takes a lot of force to make the initial movement to close the ottoman. This is a design feature of the product so the slat frame does not fall shut down involuntary. The nearer the slat frame to being closed the easier the slat frame will move downwards. When the ottoman is almost shut it will close completely under its own and mattress weight.

When lowering the slat frame for the first time, take care to make sure it does not rub unevenly on the inside face of the side rails. If it does, the bed has been assembled slightly out of square. This can be aligned by moving the foot end of the bed slightly to the left or right whilst leaving the head end stationary.

PISTONS

The pistons used in the construction of this product are extremely strong and cannot be operated by hand when taken off the ottoman. All pistons are tested for correct pressure and operation before being attached to the slat frame.

Initially it might appear that the pistons are very stiff when opening and closing the ottoman - **THIS IS PERFECTLY NORMAL**.

After operating the ottoman a few times, the movement of the pistons and the opening and closing of the ottoman will become easier.

WARNING

For the safety of yourselves and others, please ensure that:

- Use only the strap handle when lifting up the slat frame.
Failure to comply with this warning may result in injury and finger entrapment.
- The handle is attached and always left visible on the outside of the bedstead frame.
- The metal slat frame is fully raised in full 'Up' position before using the ottoman space, otherwise the metal slat frame could close (fall) or open (spring up) causing injury.
- Children and pets **MUST NOT** be left unattended when the frame is in the lifted 'Up' position as they could become trapped inside the ottoman space.
- Please keep children and pets away from the ottoman bedstead whilst opening and closing the slat frame to avoid injury.
- The items store under the bed - i.e. the top of an item must not touch the underside of the mattress metal frame base or it may get damaged.

IMPORTANT INFORMATION

The pistons used in the construction of this product are extremely strong and cannot be operated by hand when not fitted to the ottoman hinges. All pistons are tested in the factory for correct pressure and operation before use.

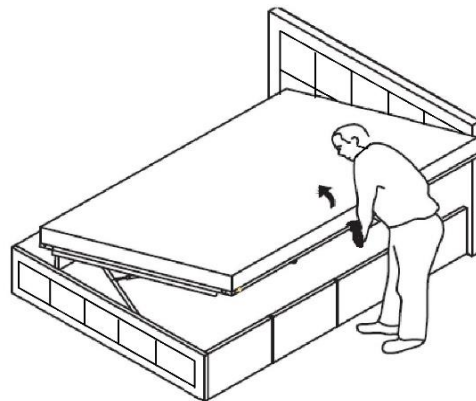
Initially it might appear that the pistons are very stiff when opening and closing the ottoman frame, THIS IS NORMAL.

After operating the ottoman a few times, the movement of the pistons and the opening and closing of the ottoman will become easier.

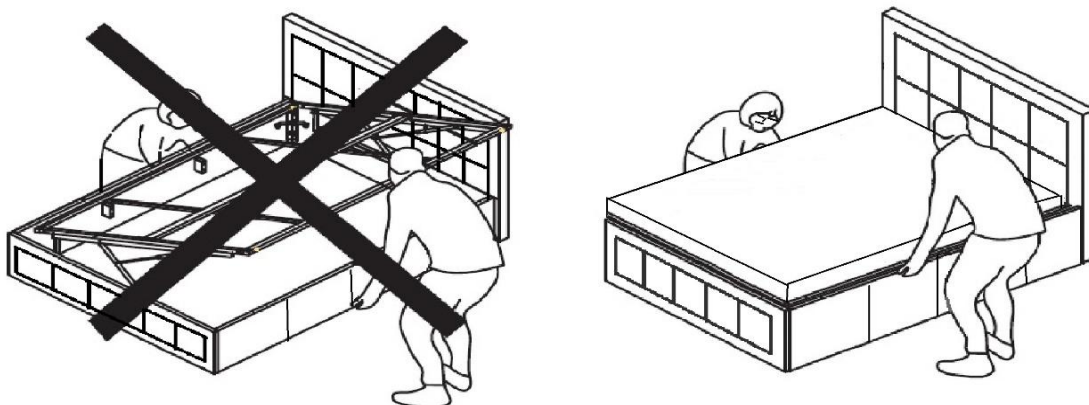
PLEASE NOTE - It takes a lot of force to make the initial movement of the ottoman. **THIS IS A DESIGN FEATURE OF THE PRODUCT SO THAT IT DOES NOT FALL SHUT.** When the ottoman is almost shut, it will close completely under its own weight. The speed of closing depend on the weight of the mattress so always keep fingers clear of the frame. Periodically check and tighten bolts to ensure that the components are tight and secure.

When lowering the slat unit for the first time, take care to make sure it does not rub unevenly on the inside face of the Side Rail. If it does, the bed has been assembled slightly out of square. This can be rectified by moving the Footboard of the bed slightly to the left or right whilst leaving the headboard of the bed frame stationary.

If you are experiencing difficulty with the initial compression try fitting one piston at a time (following the Assembly Instructions) then press down on the side of the frame with the piston fitted - this acts like a big lever (The weight of the mattress can be used to supplement the load exerted). Effectively you are doubling the amount of force applied, because you have halved the resistance offered by the pistons. It can take slightly more effort than you might feel comfortable applying to the bed frame at first.



To operate the ottoman, always use 2 hands at arm's length. You must ensure the mattress is on the bed frame before lifting the mechanism. **Failure to do so may result in injury.**



Do not attempt to move the bed whilst the frame is opened in the upright position.