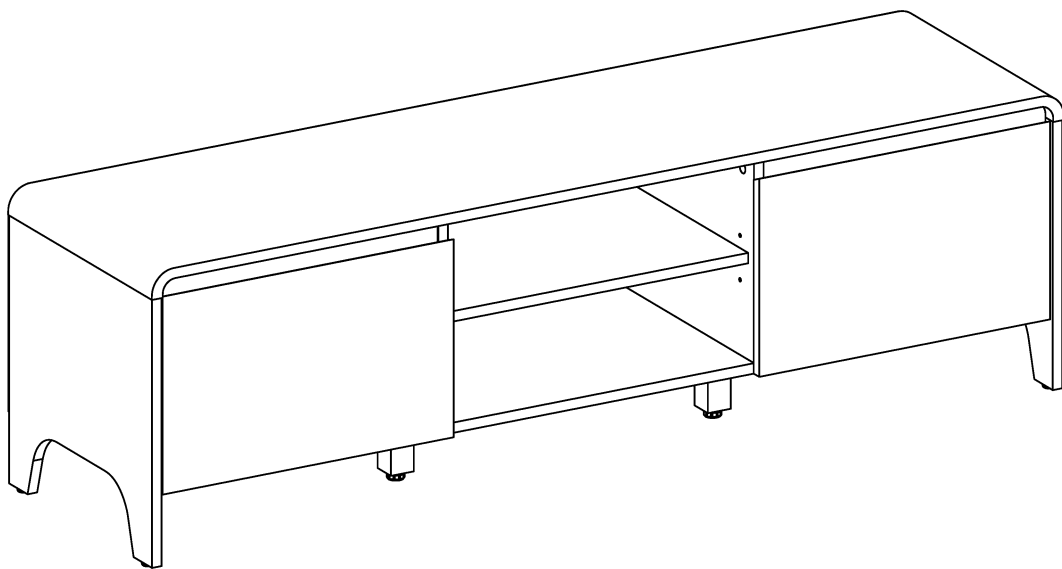


**ASSEMBLY INSTRUCTION**  
**DENTON TV STAND**  
**520403**



Keep these instructions for future reference

# WARNING

Read instructions carefully. Check no parts are missing.

Assemble the furniture on a soft level surface to avoid damaging the furniture or your floor.

Carefully identify each component, especially those that are similar.

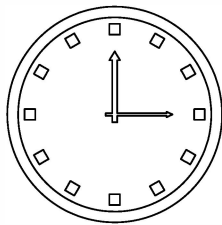
The most common mistake is getting things back to front.

Separate and identify each component from the hardware pack and rest each one in it's proper location before fastening.

We recommend furniture be assembled near where they will be placed, to avoid moving the product unnecessarily once assembled.

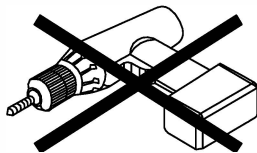
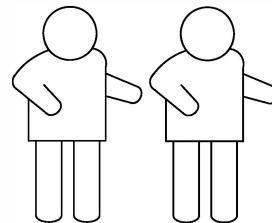
If there is a need to move the furniture, please remove all loose items and have extra hands to help lift the furniture to the desired location. Dragging the furniture will damage both the furniture and the floor.

Regularly check and re-tighten (if necessary) all bolts on furniture that you have assembled yourself.



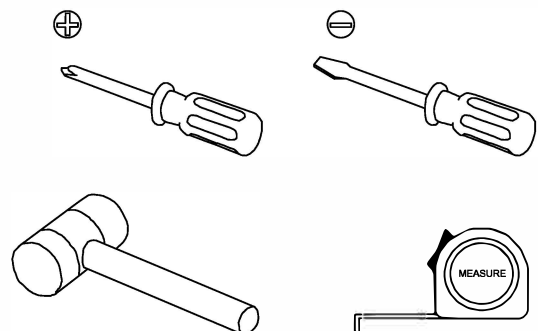
ALLOW 45 MIN

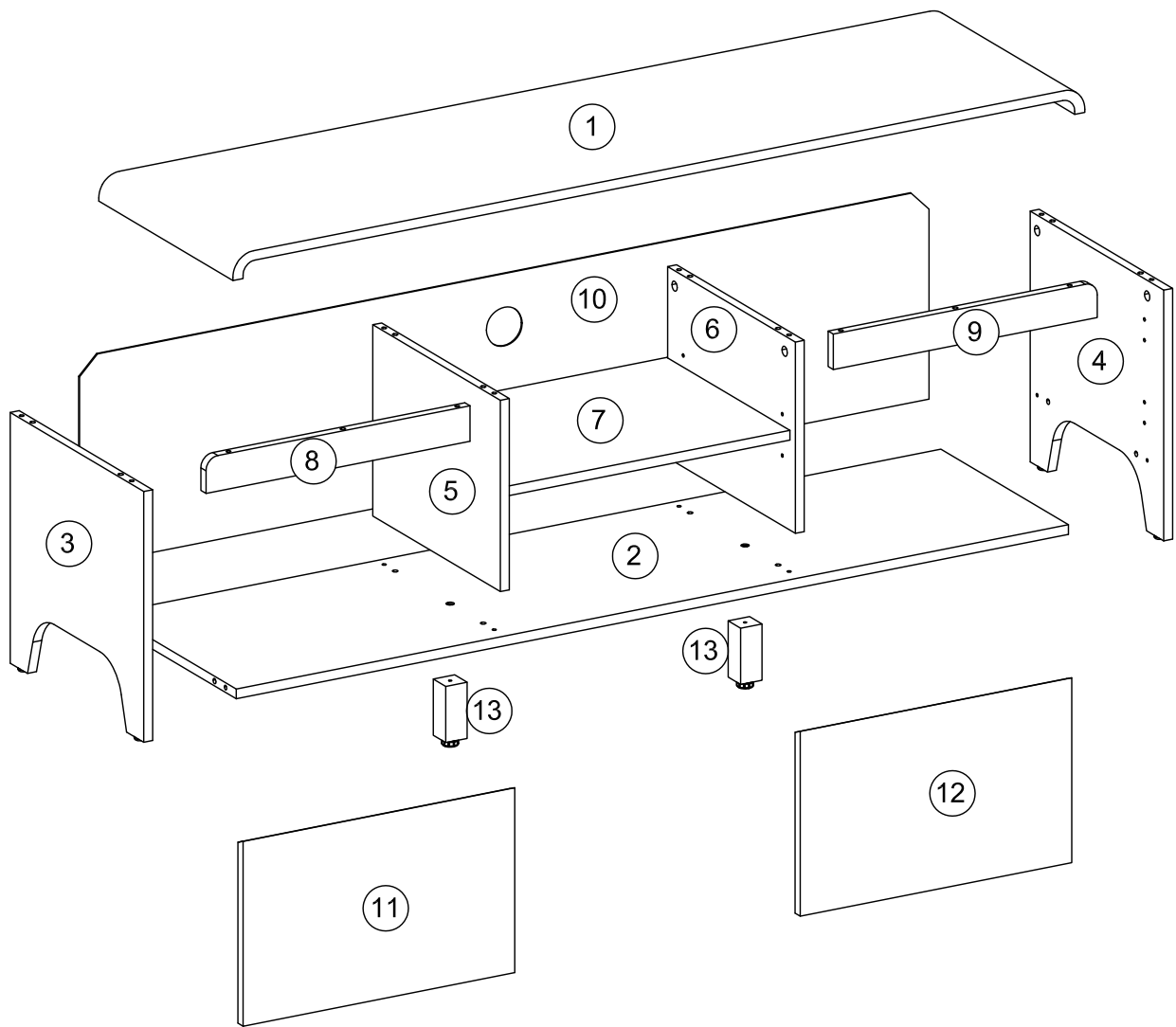
2 Persons Required



DO NOT USE ON PRODUCT

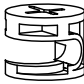








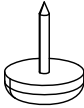

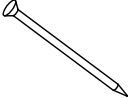

Tools Required



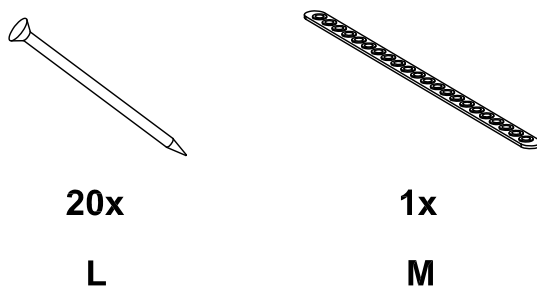
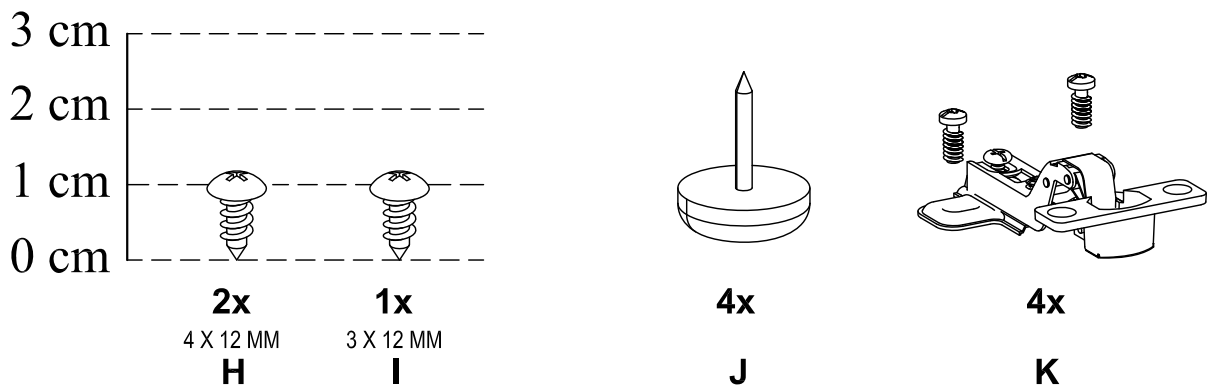
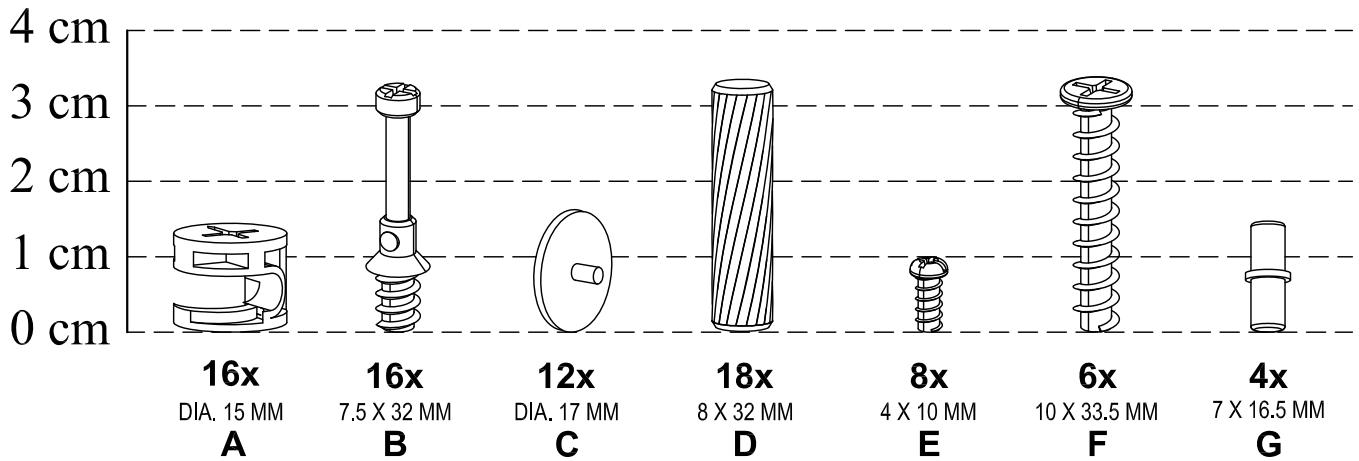


# CHECK LIST

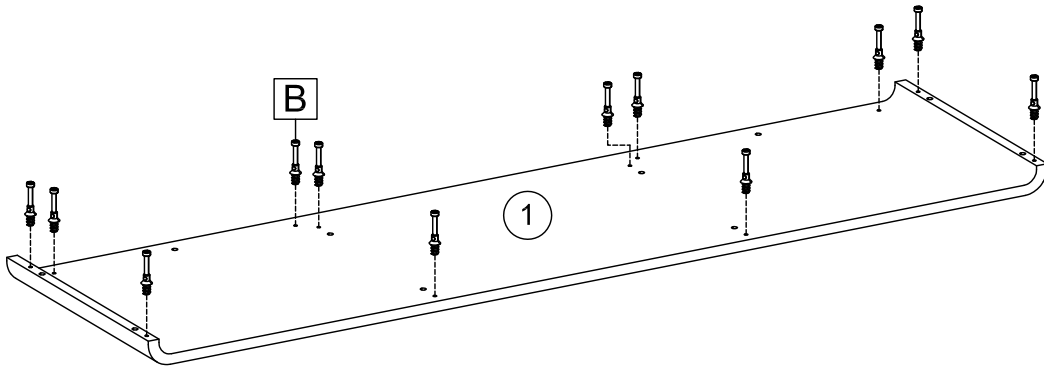


<p><b>A</b> <input type="checkbox"/></p>  <p>Ø15 mm      Ax16</p>	<p><b>B</b> <input type="checkbox"/></p>  <p>Ø7,5x32 mm      Bx16</p>	<p><b>C</b> <input type="checkbox"/></p>  <p>Ø17 mm      Cx12</p>	<p><b>D</b> <input type="checkbox"/></p>  <p>Ø8x32 mm      Dx18</p>	<p><b>E</b> <input type="checkbox"/></p>  <p>M4x10 mm      Ex8</p>
<p><b>F</b> <input type="checkbox"/></p>  <p>M10x33,5 mm      Fx6</p>	<p><b>G</b> <input type="checkbox"/></p>  <p>M7x16,5 mm      Gx4</p>	<p><b>H</b> <input type="checkbox"/></p>  <p>M4x12 mm      Hx2</p>	<p><b>I</b> <input type="checkbox"/></p>  <p>M3x12 mm      Ix1</p>	<p><b>J</b> <input type="checkbox"/></p>  <p>Jx4</p>
<p><b>K</b> <input type="checkbox"/></p>  <p>Kx4</p>	<p><b>L</b> <input type="checkbox"/></p>  <p>Lx20</p>	<p><b>M</b> <input type="checkbox"/></p>  <p>Mx1</p>		

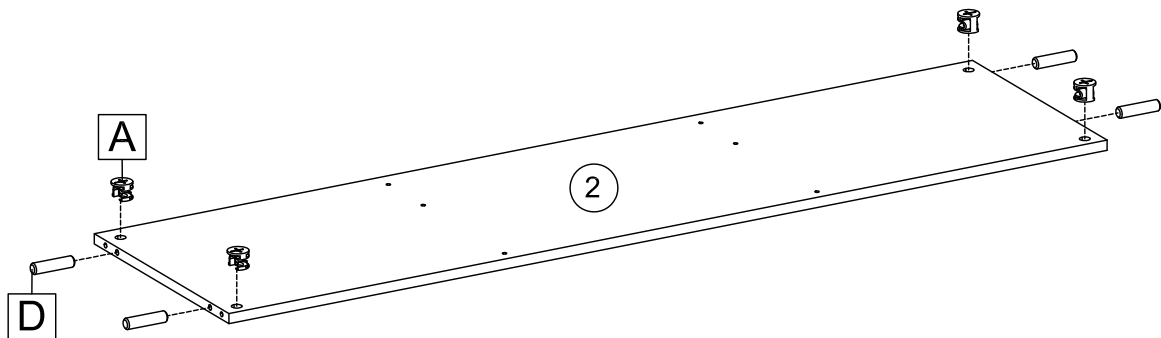
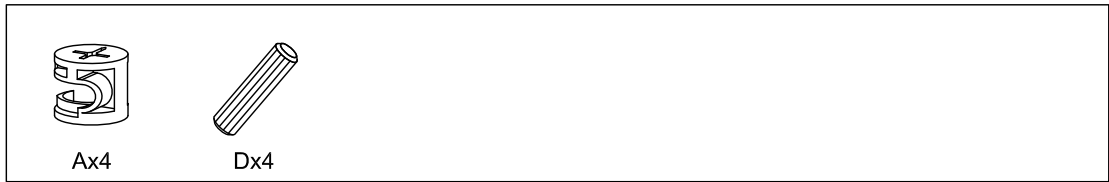
# HARDWARE LIST



# 1



# 2



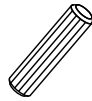
# 3



Ax6



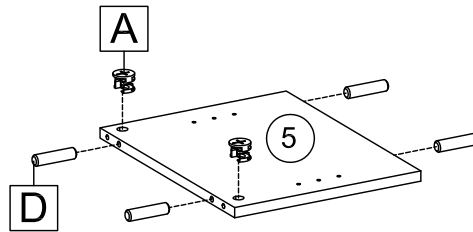
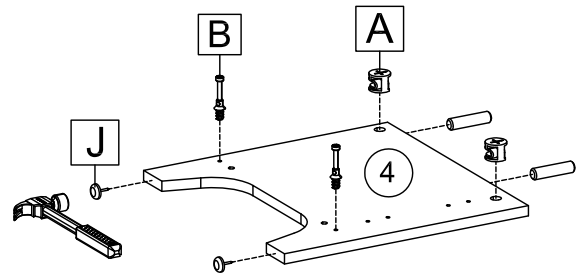
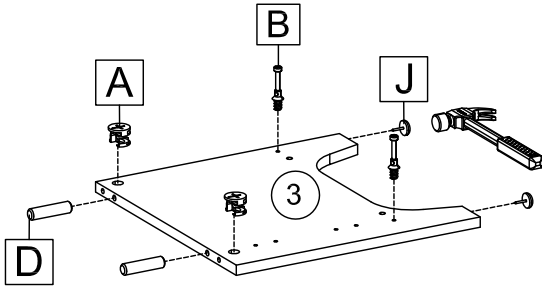
Bx4



Dx8



Jx4



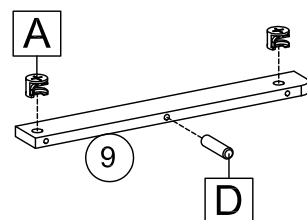
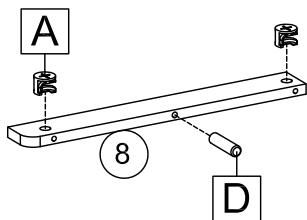
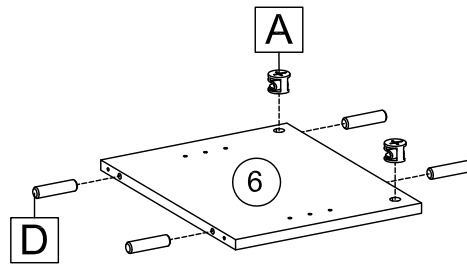
# 4



Ax6



Dx6



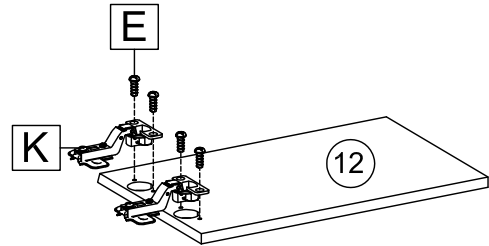
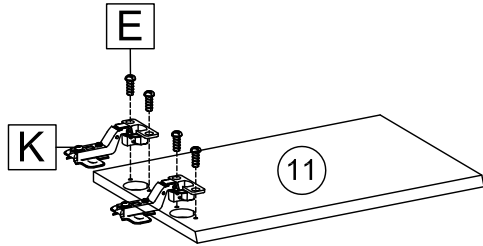
# 5



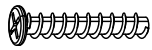
Ex8



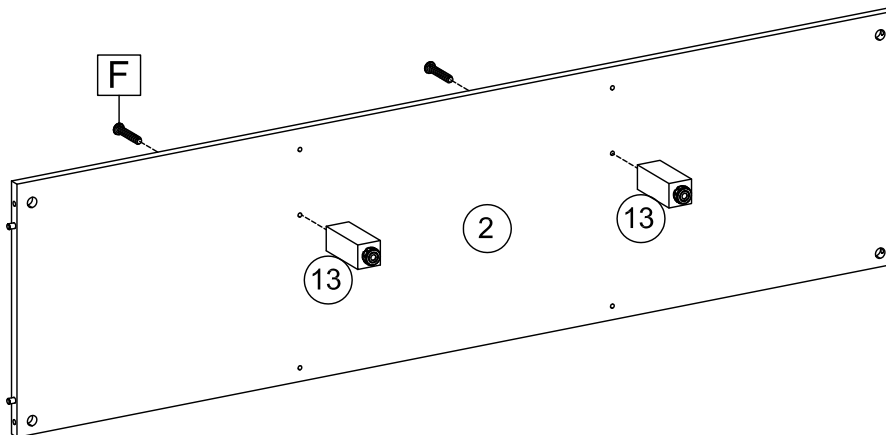
Kx4



# 6

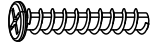


Fx2

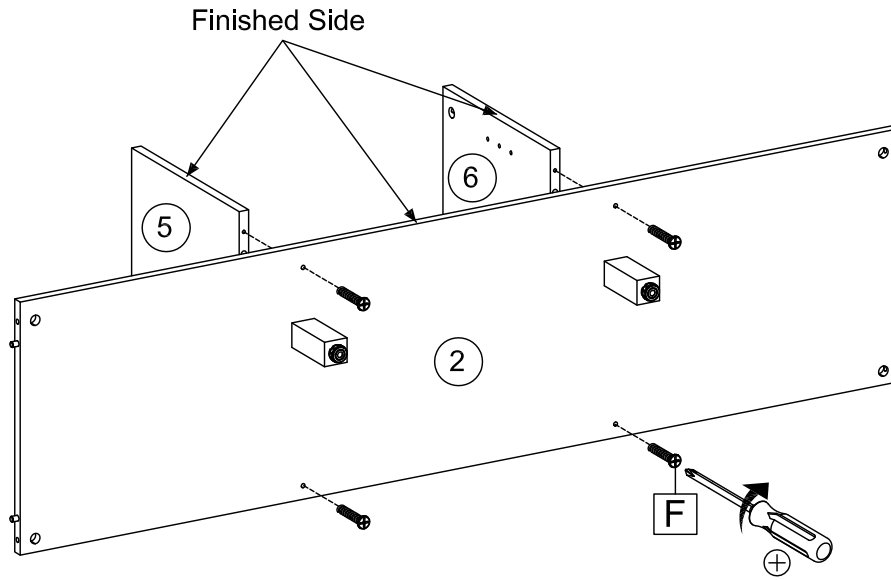




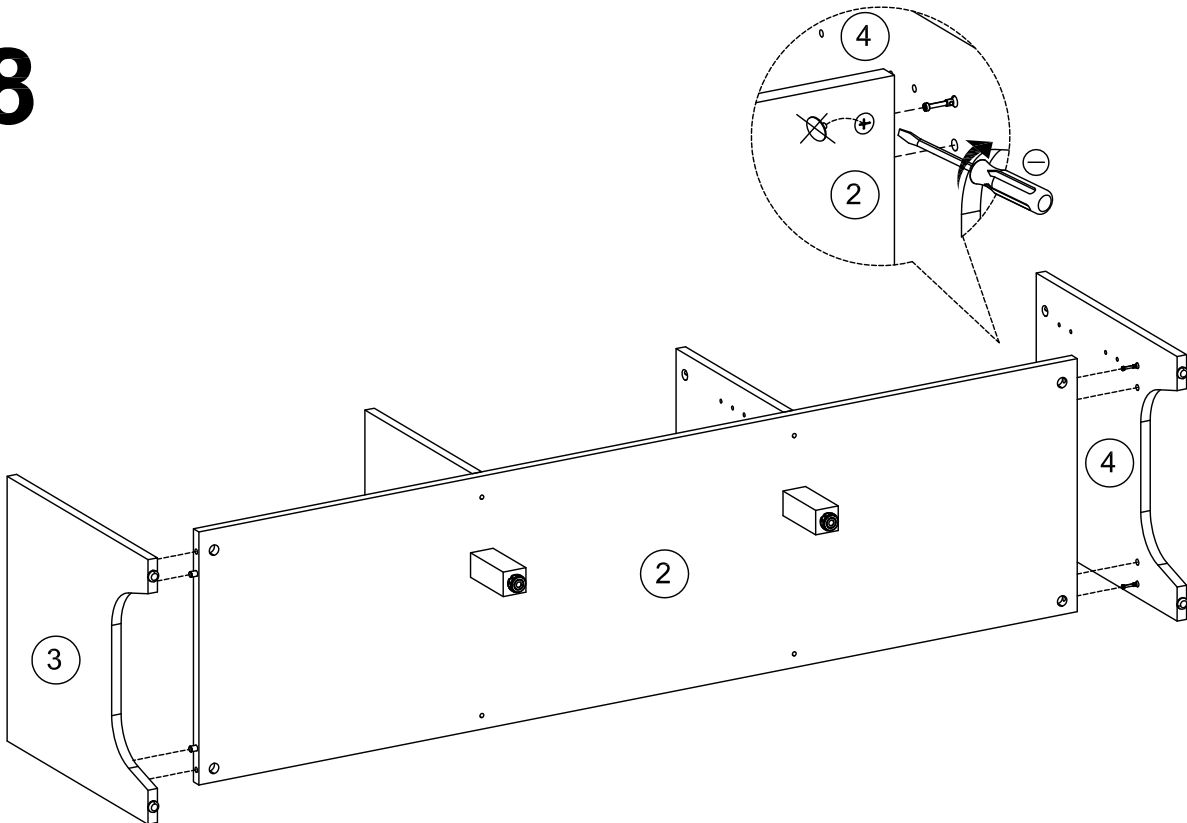
# 7



Fx4



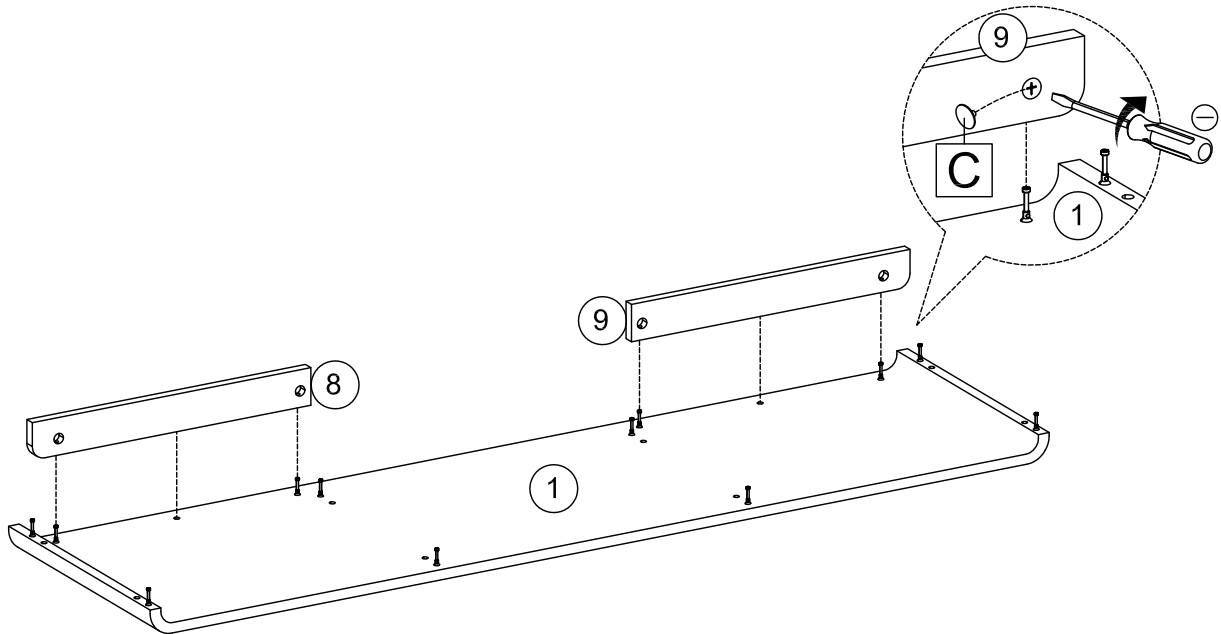
# 8



# 9



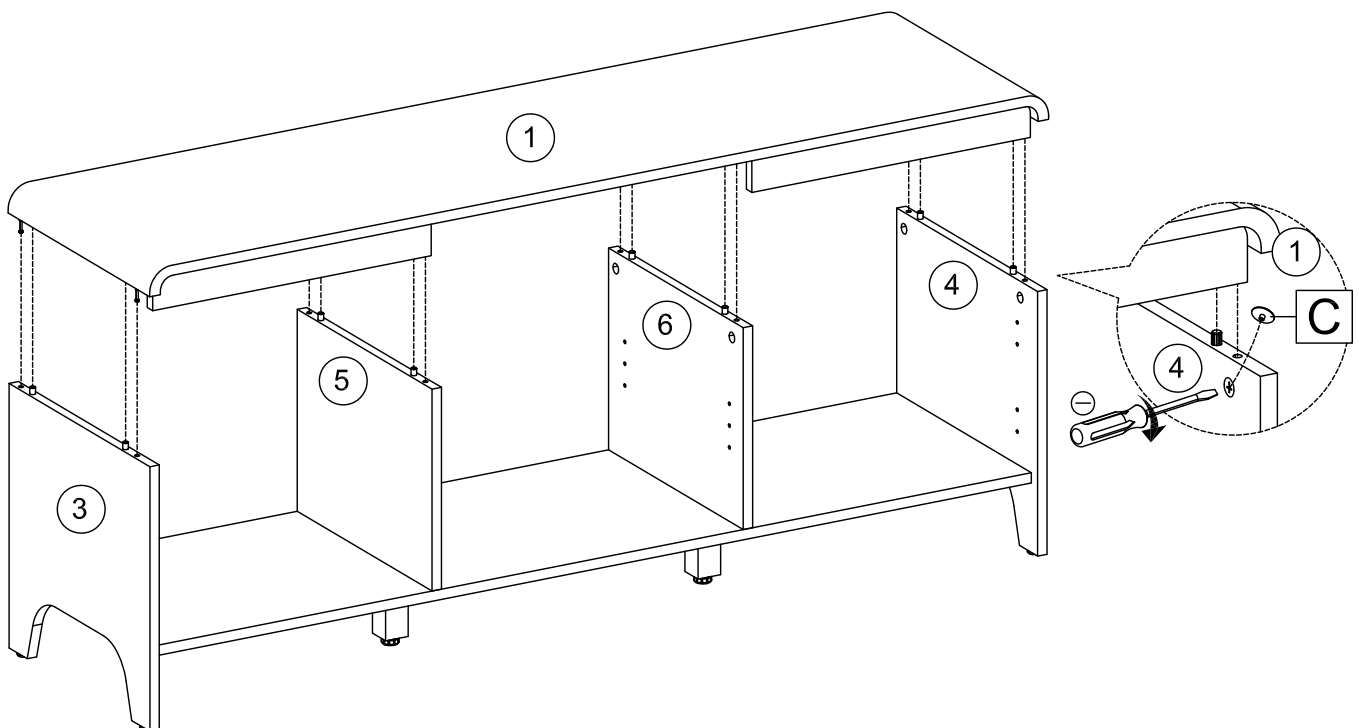
Cx4



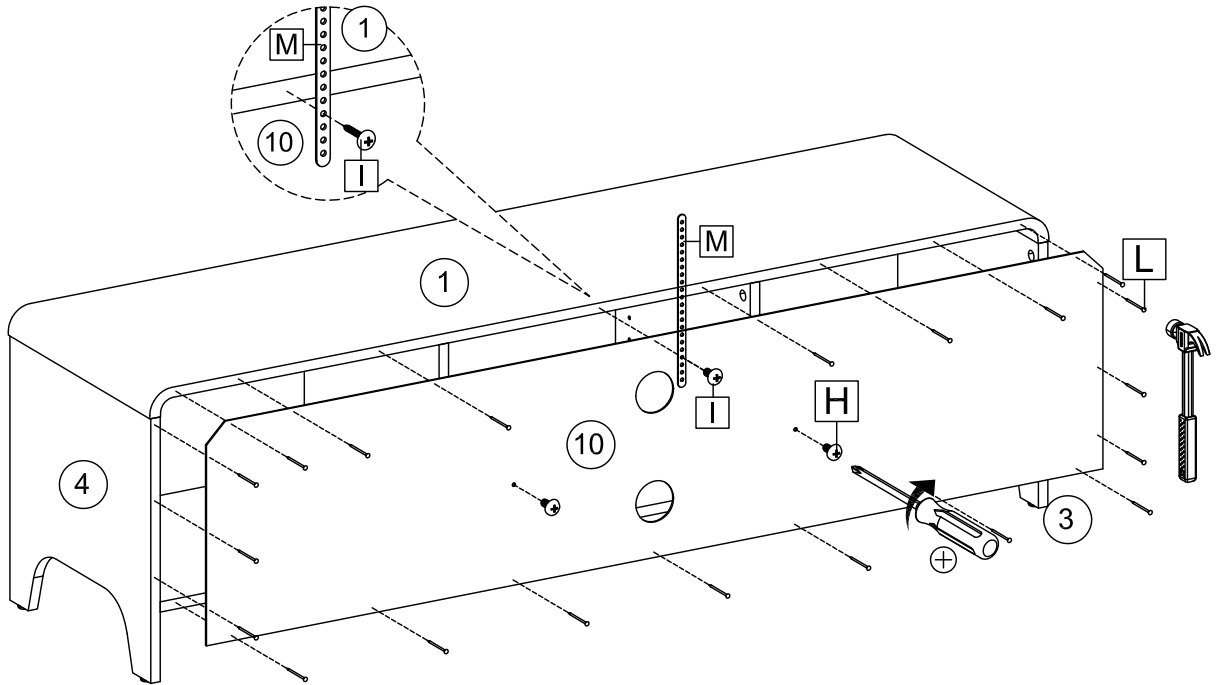
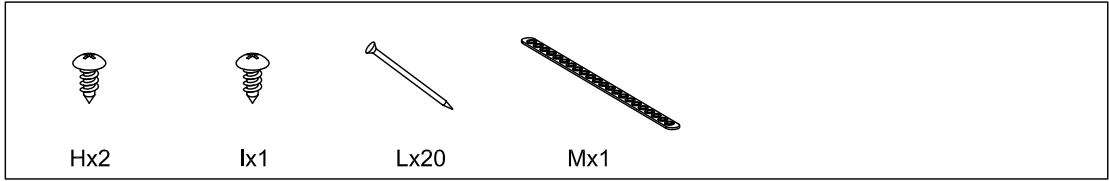
# 10



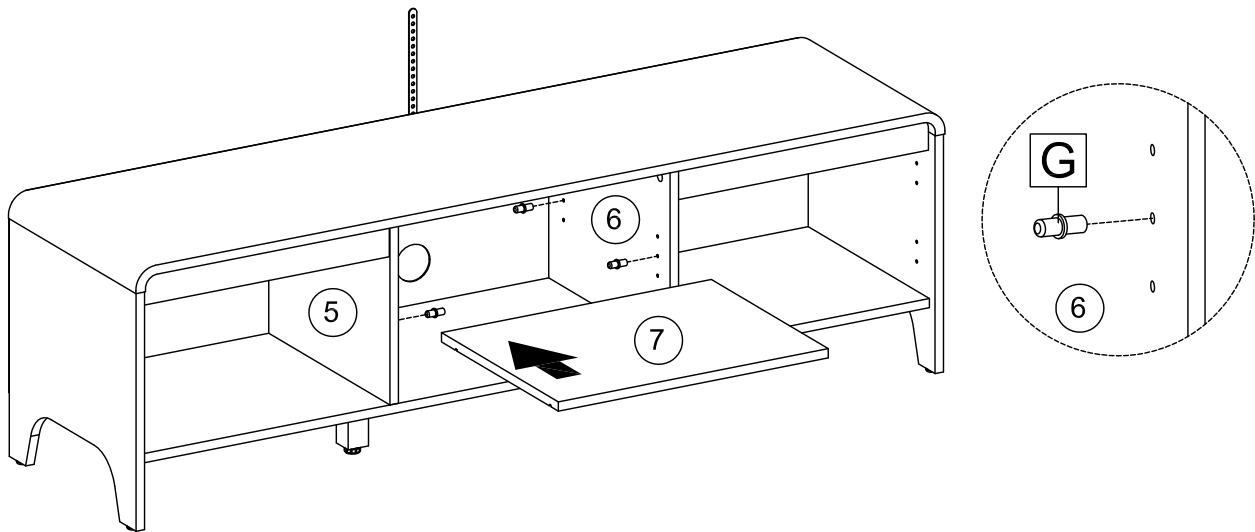
Cx8



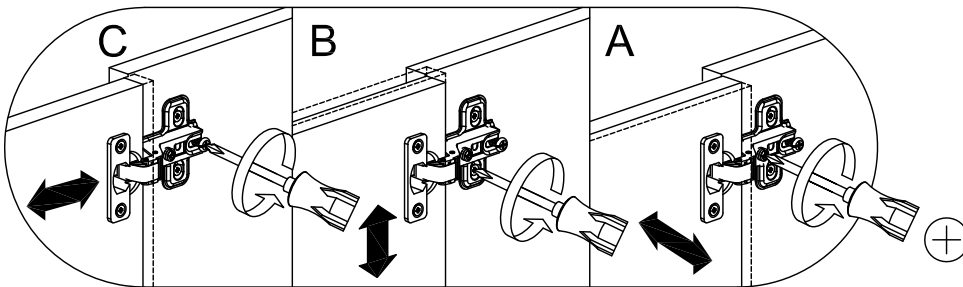
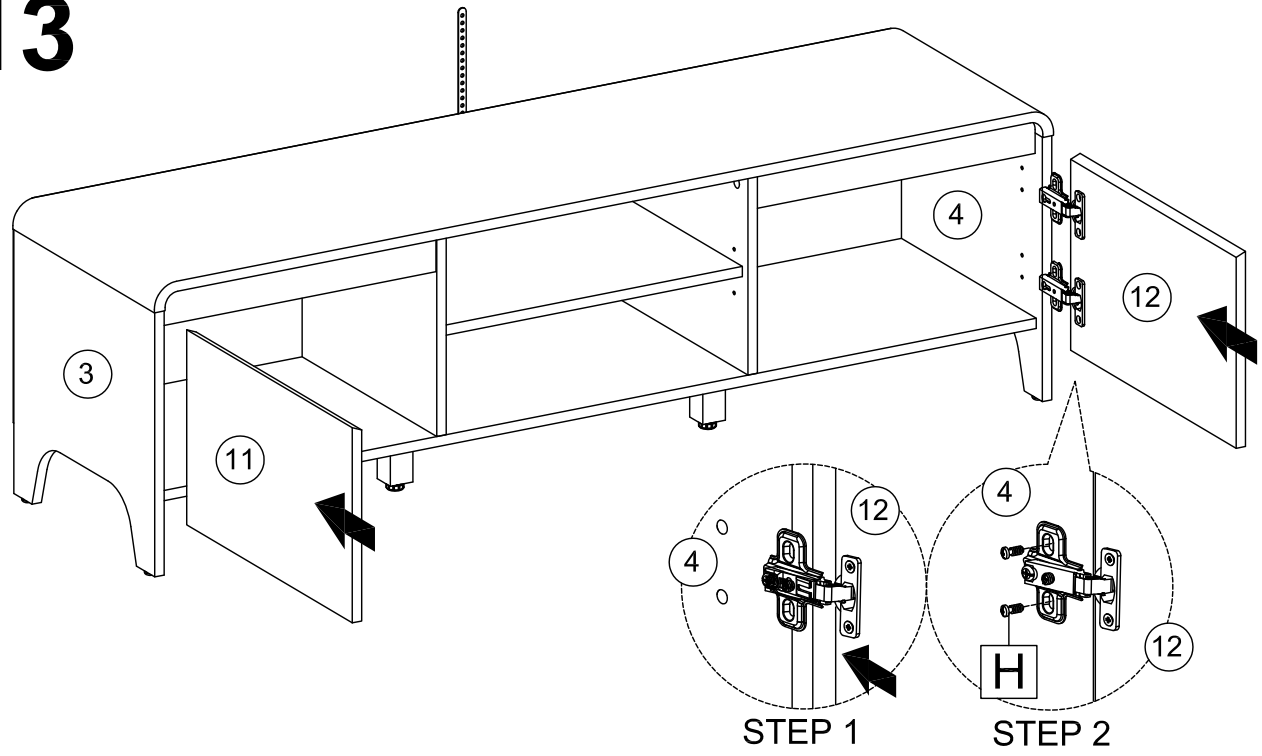
# 11



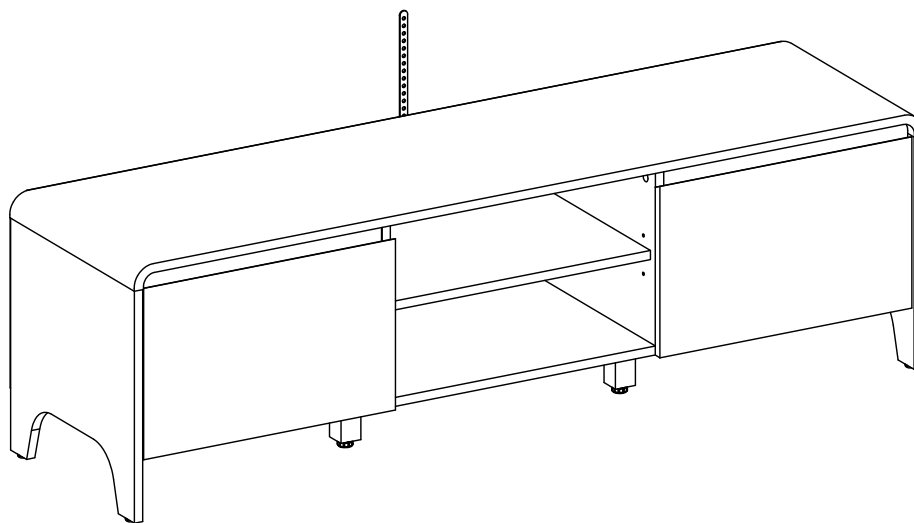
# 12



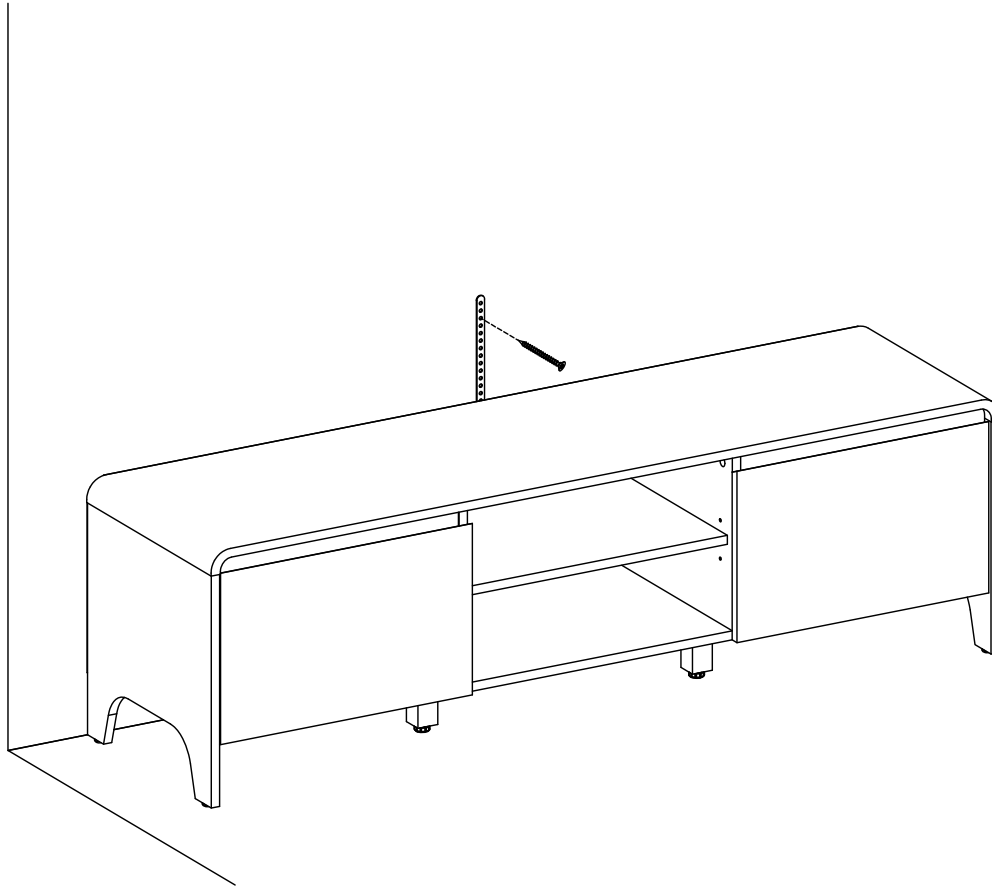
# 13



# 14



# 15



We strongly recommend that this product is permanently fixed to the wall or other suitable surface. Seek advice from a qualified trades person on how to attach this wall strap to your specific wall.

Screw and wall plug are not included.  
Please use appropriate fixtures for your wall.  
With assistance, move the product to the final position.  
Attach the wall straps to the wall with the appropriate fixtures.  
Make sure they are firmly attached and secure.