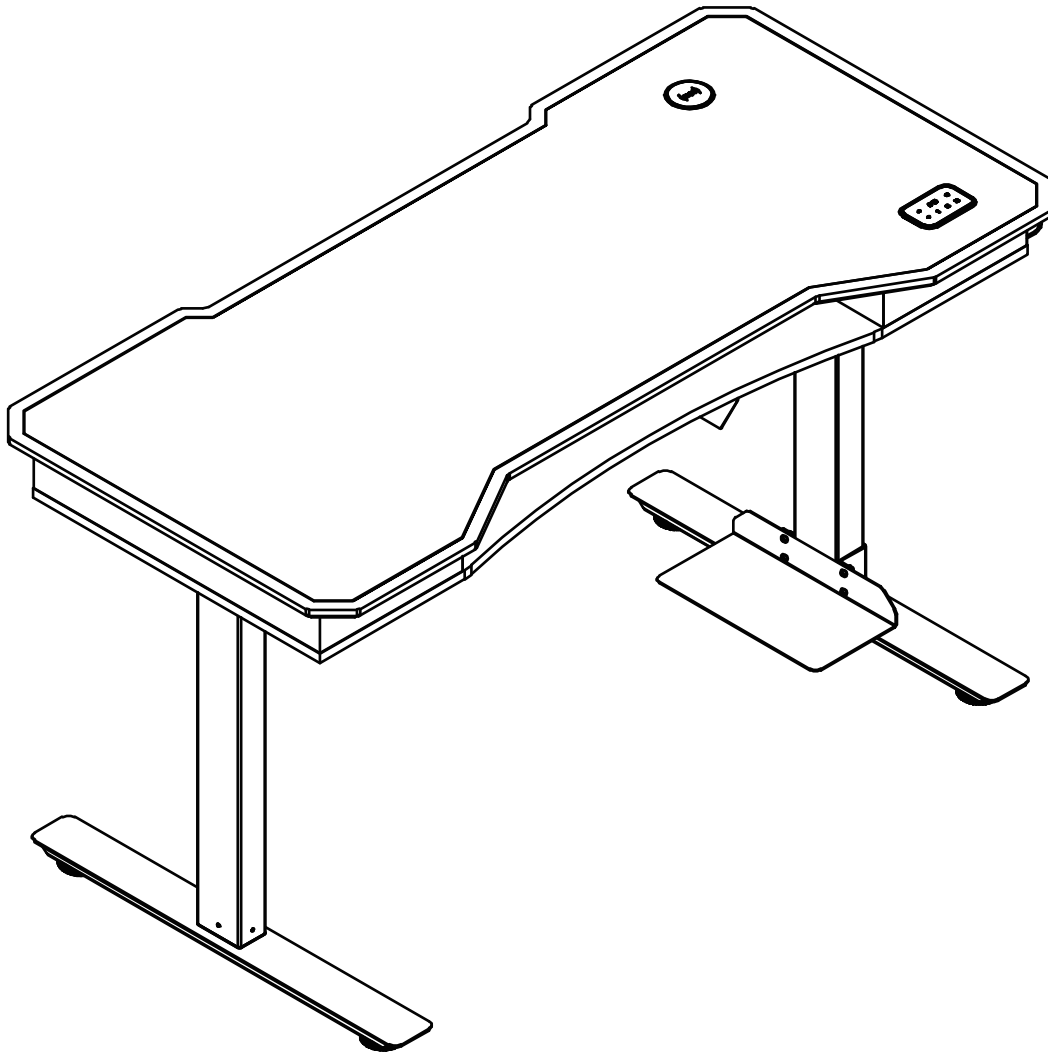


KOBLE

www.koblesigns.com

Cyclone Height Adjustable Desk



Thank you for purchasing the Cyclone Height Adjustable Desk. In order to make the best use of this product and to use it safely, please read the manual carefully before use and keep it for future reference.

STOCK Ref.: Black Carbon - DOCYCC
Black PU - DOCYCPU

Imported By: Koble Designs (Justwise Group Ltd). CB11 3AP.

Important Safety Instructions

When using an electrical furnishing, basic precautions should always be followed, including the following:
Read all instructions before using (this furnishing).

DANGER – To reduce the risk of electric shock:

1. Unplug the power plug before cleaning, wipe the dust on surface with damp cloth when cleaning. Be careful not to let water drops into the internal parts, or loose the connector.
2. Check carefully to ensure correct and complete assembly before using.
3. Be familiar with all functions and program settings of the product before first use.
4. Don't allow children to play near the desk as their behavior is unpredictable. The manufacturer is not responsible for loss, injury, or damage due to those improper action.
5. The slight noise caused by the internal mechanism or brake system of the structure, will not have any effect on the use of the equipment.
6. Do not use corrosive or abrasive materials are near the equipment. Please ensure that the cleaner used will not pollute the environment.
7. This appliance can be used by children aged from 8 years and above and persons with reduced physical, sensory or mental capabilities or lack of experience and knowledge, only after they have been given supervision or instruction concerning use of the appliance in a safe way and understand the hazards involved. Children should not play with the appliance.
8. Cleaning and user maintenance should not be attempted by children without supervision.
9. If the supply cord is damaged, it must be replaced by the manufacturer, its service agent or a similarly qualified person in order to avoid a hazard.
10. Please make sure there is no hazard sources in your operating environment. e.g., do not litter the tools around. Always be careful to treat the packaging materials in order to avoid any possible danger, e.g. plastic bag may lead to choking hazard to children.
11. We recommend you keep the original package of the equipment if necessary in case of the future use in transportation.
12. Do not use outdoors.
13. Unplug from outlet before putting on or taking off parts.
14. Use this furnishing only for its intended use as described in these instructions. Do not use attachments not recommended by the manufacturer.
15. Never operate this furnishing if it has a damaged cord or plug, if it is not working properly, if it has been dropped or damaged, or dropped into water. Return the furnishing to a service center for examination and repair.
16. Keep the cord away from heated surfaces.
17. To disconnect, turn all controls to the off position, then remove plug from outlet.
18. For grounded products the following statement:
"WARNING: Risk of Electric Shock – Connect this furnishing to a properly grounded outlet only. See Grounding Instructions."

19. For loading always put heavier items at the bottom and not near the top in order to help prevent the possibility of the furnishing tipping over.

SAVE THESE INSTRUCTIONS

For Household use only

SERVICING OF DOUBLE-INSULATED PRODUCTS

In a double-insulated product, two systems of insulation are provided instead of grounding. No grounding means is provided on a double-insulated product, nor is a means for grounding to be added to the product. Servicing a double-insulated product requires extreme care and knowledge of the system, and is to be done only by qualified service personnel. Replacement parts for a double-insulated product must be identical to the parts they replace. A double-insulated product is marked with the words "DOUBLE INSULATION" or "DOUBLE INSULATED." The symbol (square within a square) is also able to be marked on the product.

Technical specification

VOLTAGE	AC100V-250V/50-60HZ
RATED INPUT VOLTAGE	100V-250V
FREQUENCY	50-60HZ
RATED CURRENT	13A
NOMINAL VOITAGE	250V
OUTPUT CURRENT	13A
MAXIMUM POWER	3250W
APPLICABLE AMBIENT TEMPERATURE	-12°C to 45°C
USB & TYPE-C CHARGER	15W
WIRELESS CHARGER	10 W for wireless charger

Save These Instructions

For Household use only

Servicing of Double-Insulated Products

In a double-insulated product, two systems of insulation are provided instead of grounding. No grounding means is provided on a double-insulated product, nor is a means for grounding to be added to the product. Servicing a double-insulated product requires extreme care and knowledge of the system, and is to be done only by qualified service personnel. Replacement parts for a double-insulated product must be identical to the parts they replace. A double-insulated product is marked with the words "DOUBLE INSULATION" or "DOUBLE INSULATED." The symbol (square within a square) is also able to be marked on the product.

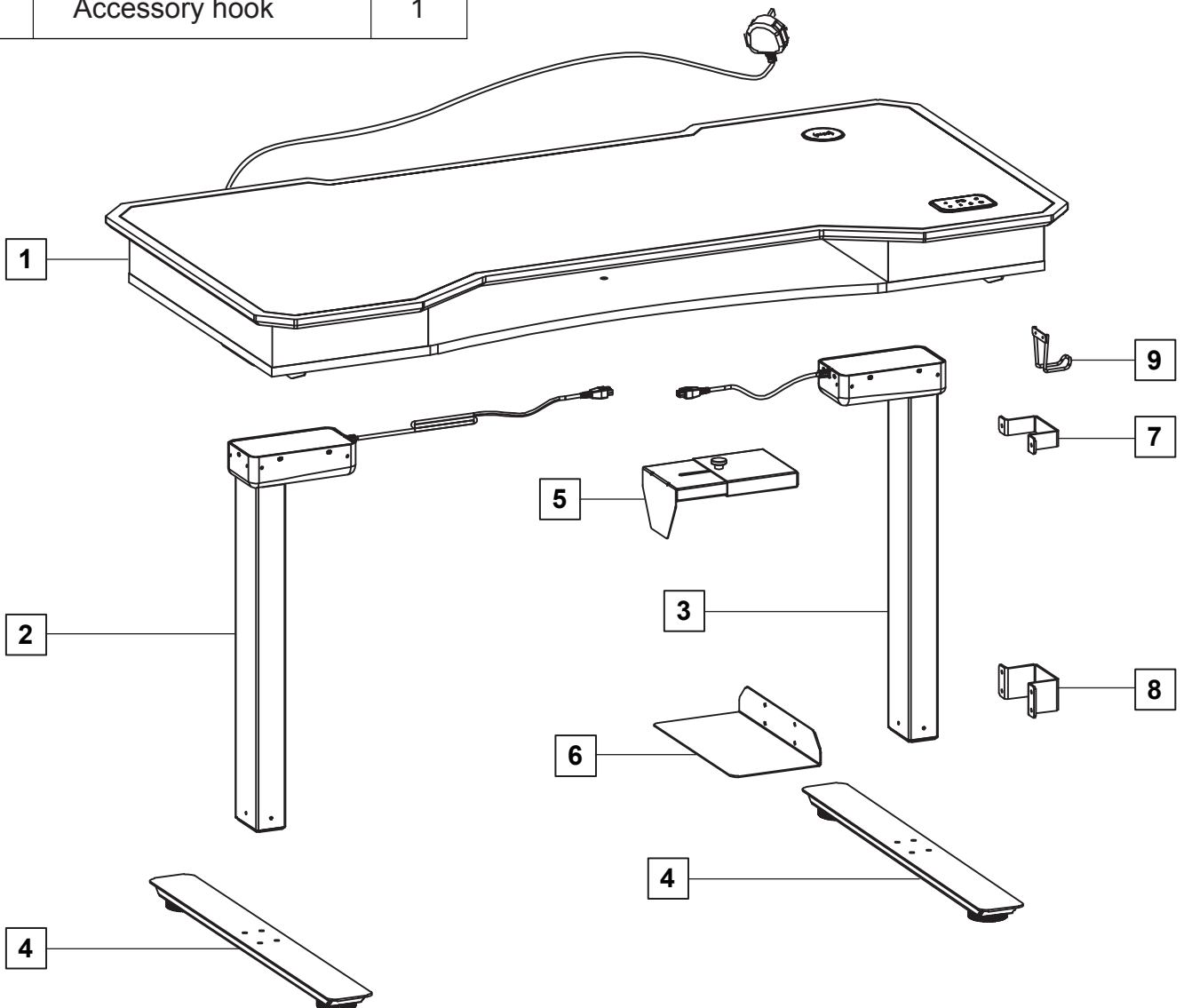
Safety and Care Advice

1. The maximum functional load of weight that can be placed on this product is 50kg.
2. This product must not be used as a seat.
3. Always use the original AC power adapter and power cable supplied, otherwise it may cause slow wireless charging. In extreme cases, an incompatible AC power adapter may overheat.

Main Components

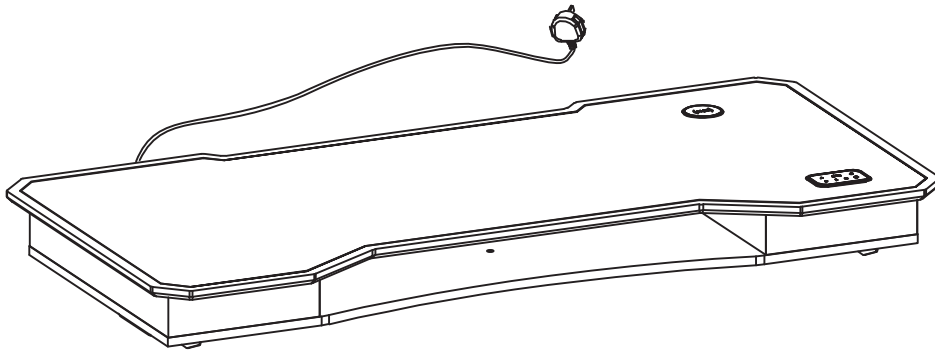
Please check you have all the parts listed below

NO	Component Name	Qty
1	Desk Top	1
2	Leg (Long cable)	1
3	Leg (Short cable)	1
4	Feet	2
5	Top bracket	1
6	Lower / Shelf	1
7	Top clamp	1
8	Lower clamp	1
9	Accessory hook	1

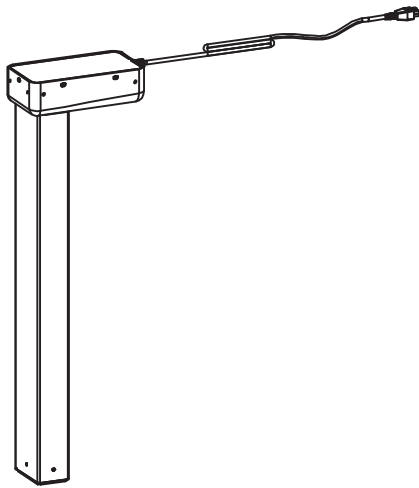


Main Components

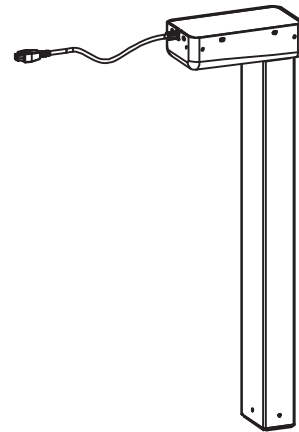
Please check you have all the parts listed below



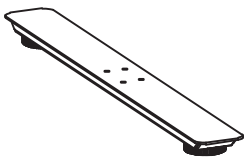
1 Desk top
Qty 1



2 Leg (Long cable)
Qty 1



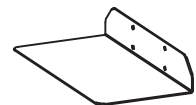
3 Leg (Short cable)
Qty 1



4 Feet
Qty 2



5 Top bracket
Qty 1



6 Lower / Shelf
Qty 1



7 Top clamp
Qty 1



8 Lower clamp
Qty 1





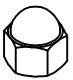

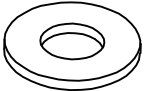
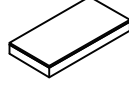


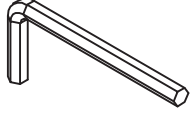


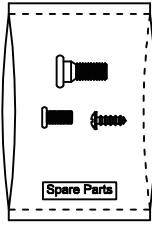


9 Accessory hook
Qty 1

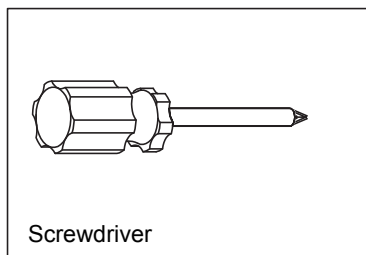
Fixings, Fittings And Tools

Please check you have all the parts listed below

Note: The quantities below are the correct amount to complete the assembly. In some cases more fittings may be supplied than are required.

<p>A</p>  <p>M8x38mm Medium Allen Screw Qty 8</p>	<p>B</p>  <p>M6x12mm Small Allen Screw Qty 12</p>	<p>C</p>  <p>M6x12mm Small Allen Screw Qty 6</p>	<p>D</p>  <p>M3x16mm Small Machine Screw Qty 2</p>
<p>E</p>  <p>M6 Domed Nut Qty 4</p>	<p>F</p>  <p>M6 Nut Qty 1</p>	<p>G</p>  <p>M6x16mm Washer Qty 1</p>	<p>H</p>  <p>EVA Pad Qty 2</p>
<p>J</p>  <p>M6x17mm Thumb Screw Qty 1</p>	<p>K</p>  <p>Spanner Qty 1</p>	<p>L</p>  <p>Allen Key Qty 1</p>	<p>M</p>  <p>Cable Clip Qty 2</p>
<p>N</p>  <p>M3x12mm Small Machine Screw Qty 2</p>	<p>O</p>  <p>Spare Parts Qty 1</p>		

Tools needed (Not supplied)

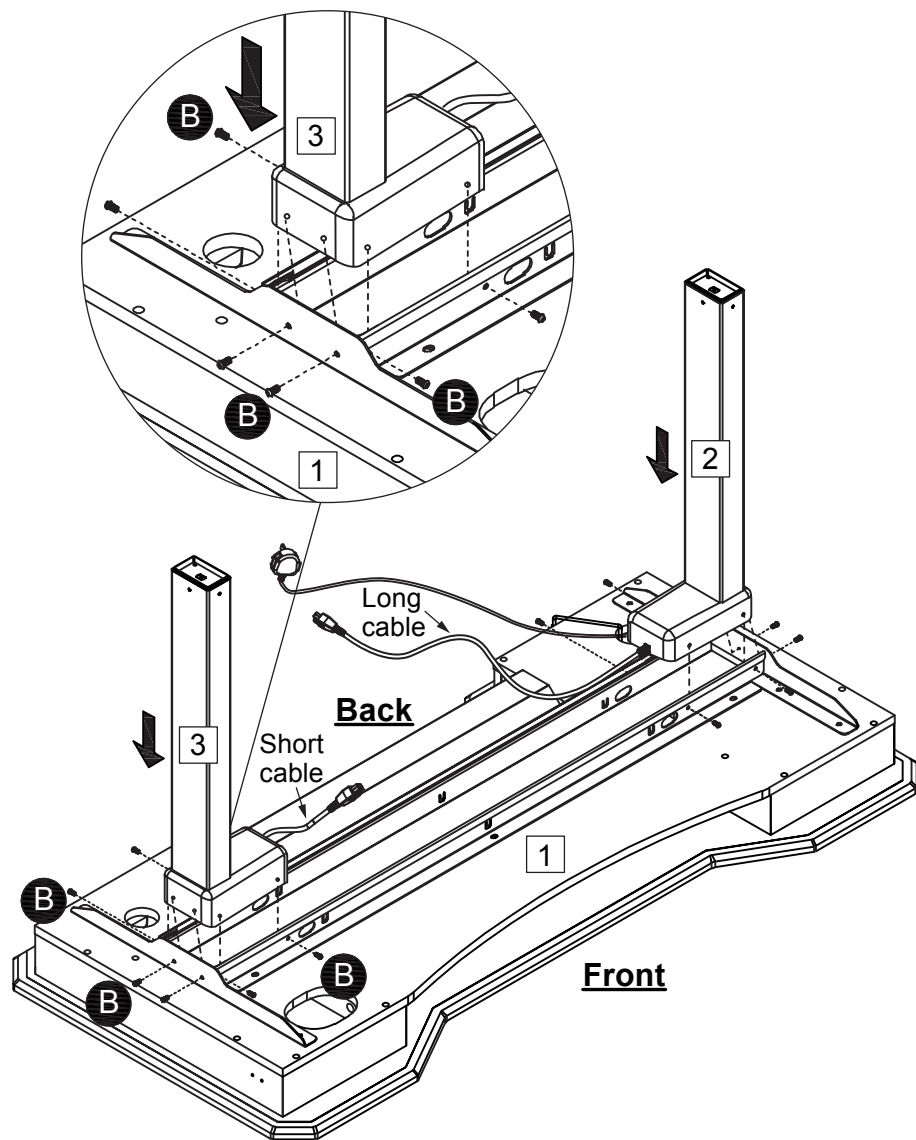


For missing or damaged parts, call our Customer Helpline: 01799 513466 or email cs@kobledesigns.com

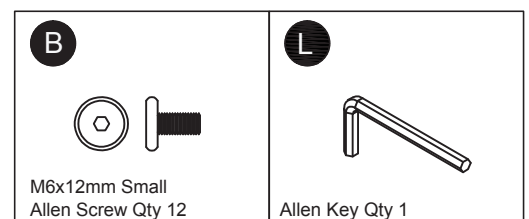
Assembly Steps

Step 1

Ensure legs **2** and **3** are assembled in the locations shown. Secure using fixings **B**.

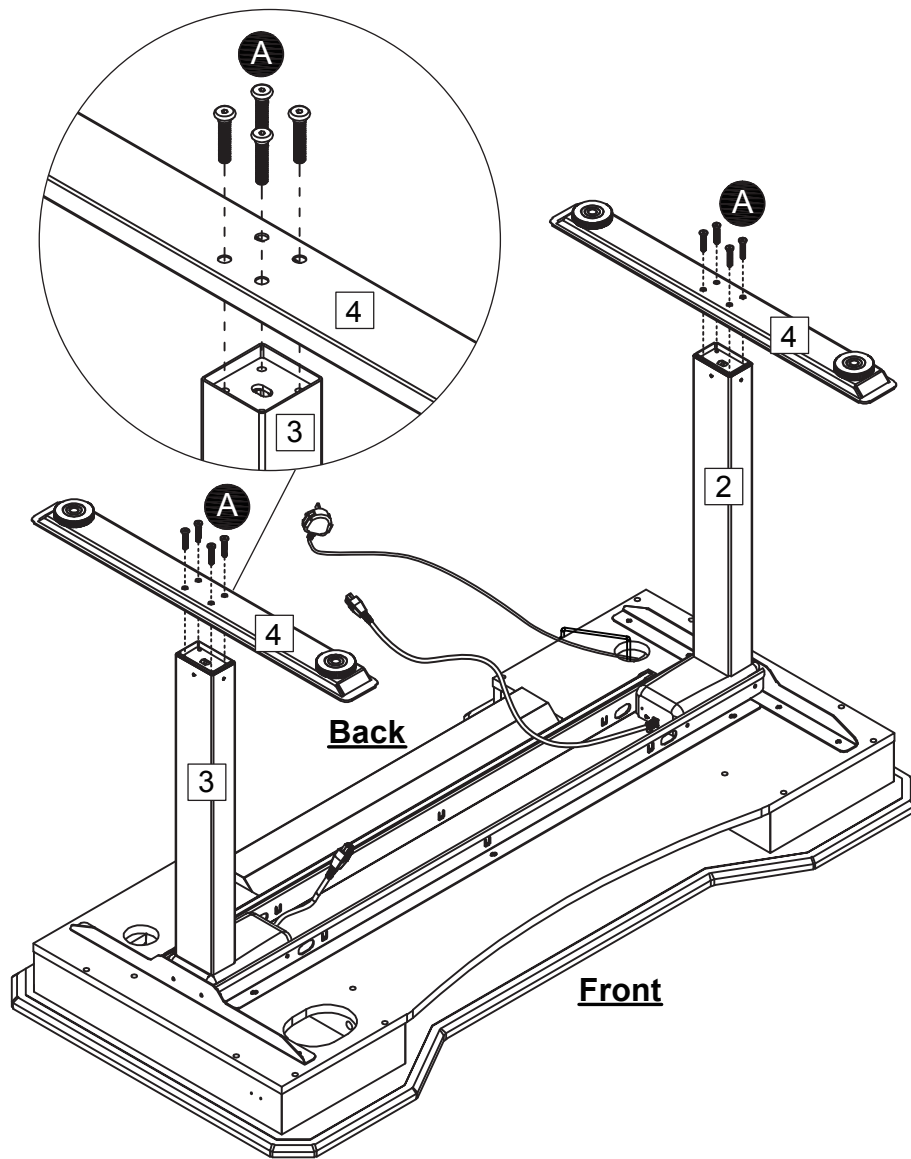


Shown upside down

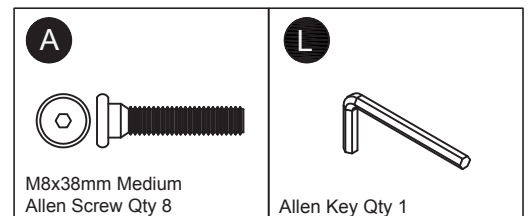


Step 2

Assemble feet **4** using fixings **A**.

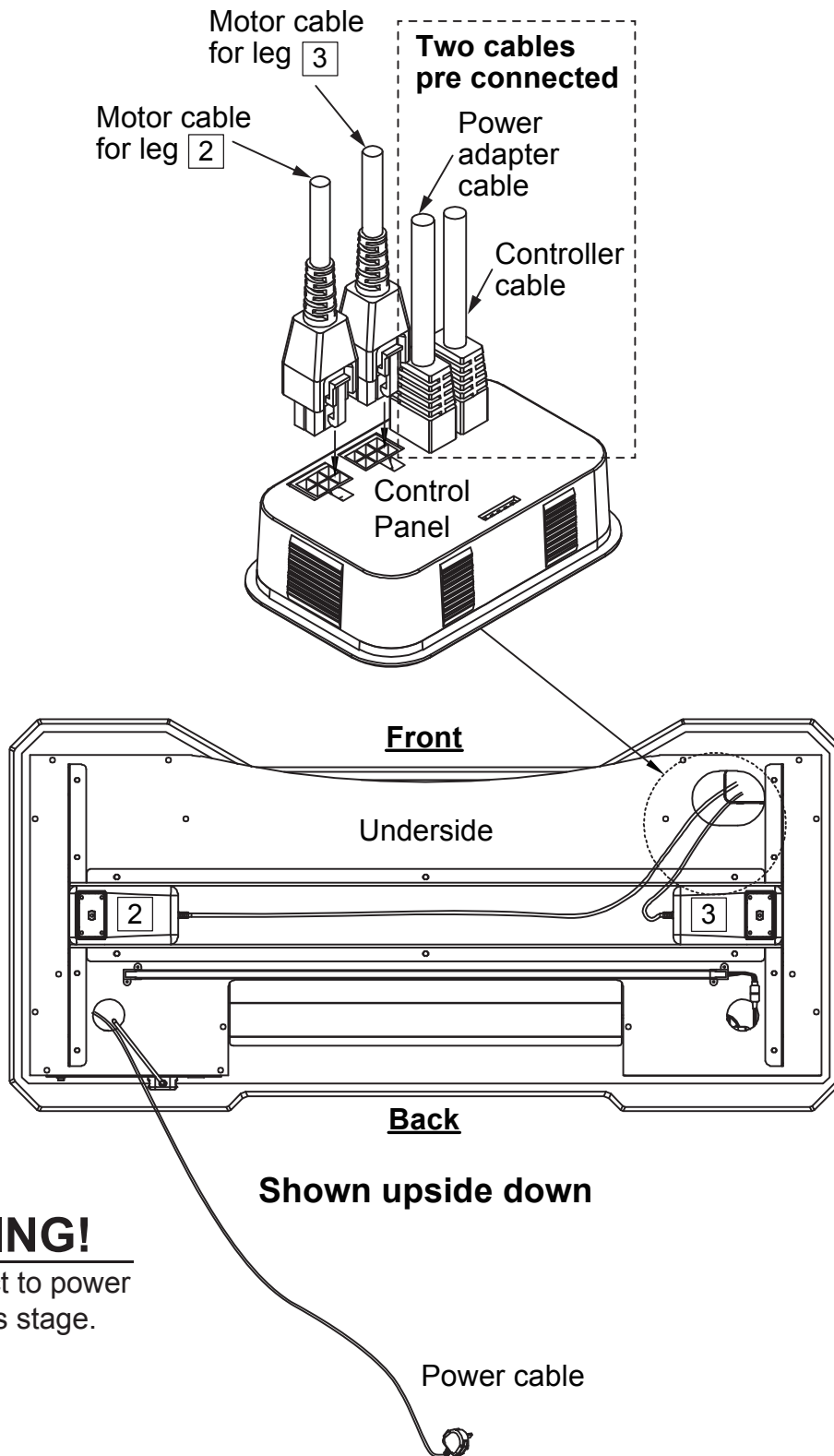


Shown upside down



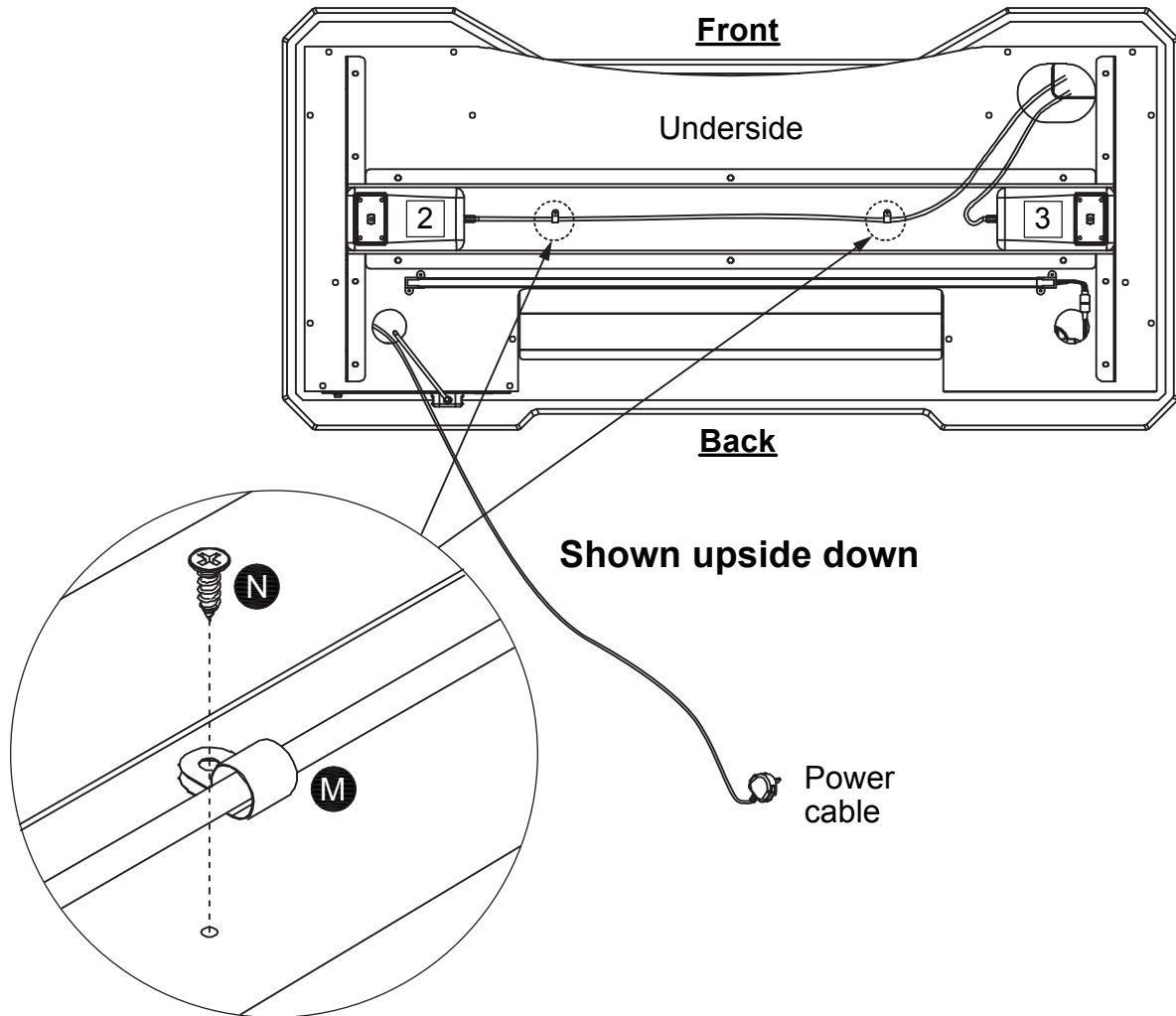
Step 3



Control panel connections



Step 4

Use cable clips to route cables on the underside of the desk.



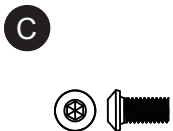
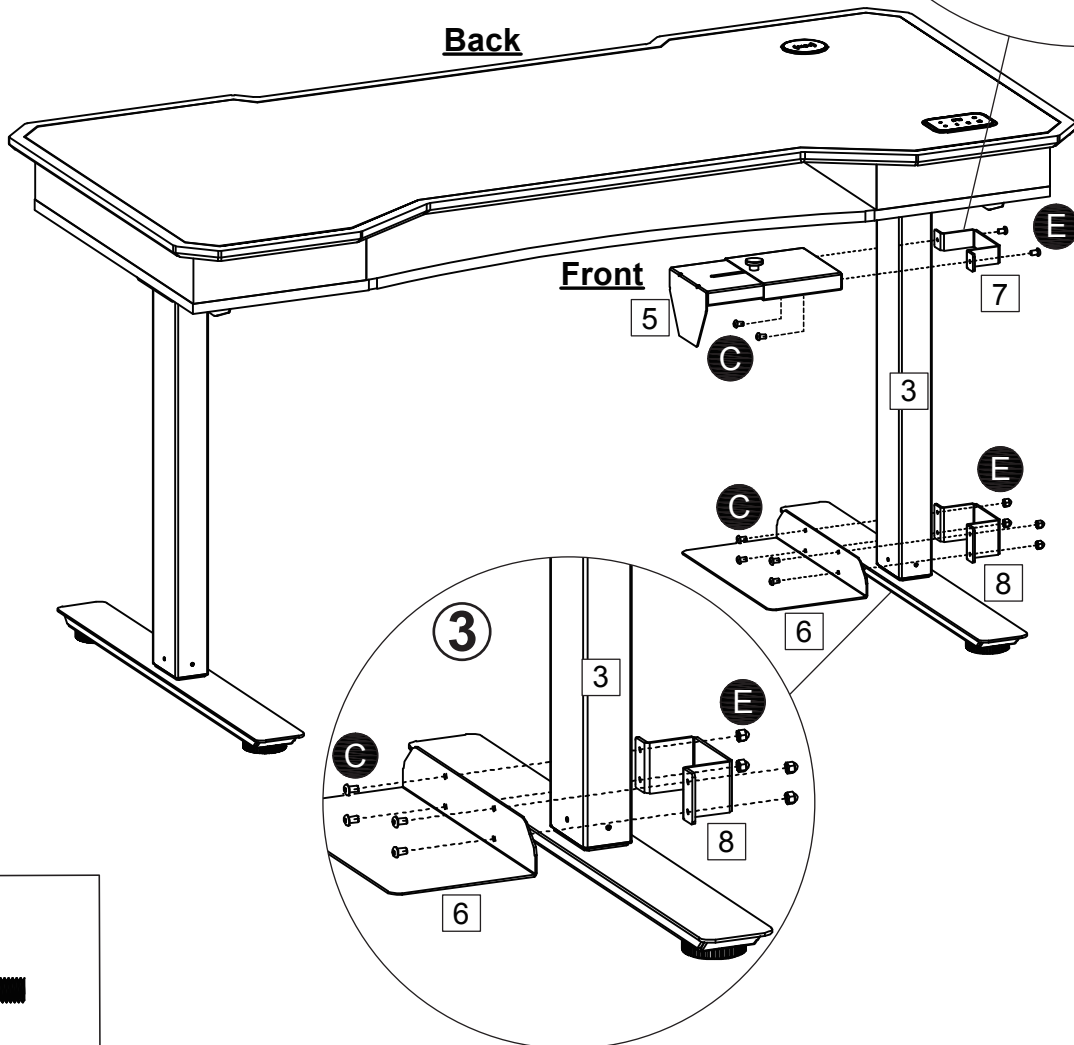
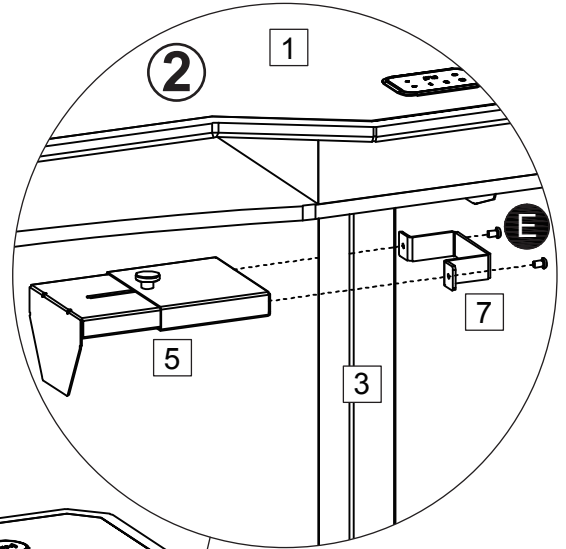
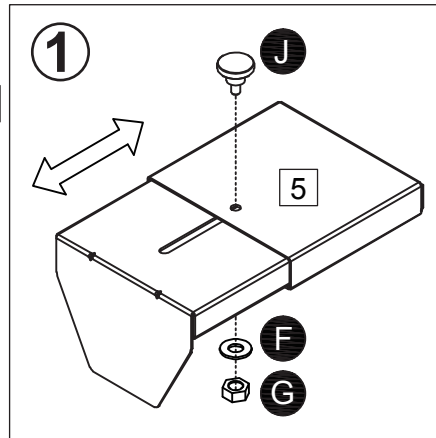
<p>M</p>  <p>Cable Clip Qty 2</p>	<p>N</p>  <p>M3x12mm Small Machine Screw Qty 2</p>
--	---

Step 5



- ① Assemble thumb wheel **J** to top bracket **5** using fixings **F** and **G**.
- ② Assemble top bracket **5** and top clamp **7** around leg **3** using fixings **E**.
- ③ Assemble lower shelf and lower clamp **8** around leg **3** using fixings **E**.

Note: The shelf and top bracket can be adjusted to securely hold the chosen device.



M6x12mm Small Allen Screw Qty 6



M6 Domed Nut Qty 4



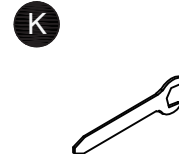
M6 Nut Qty 1



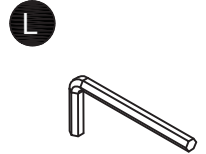
M6x16mm Washer Qty 1



M6x17mm Thumb Screw Qty 1



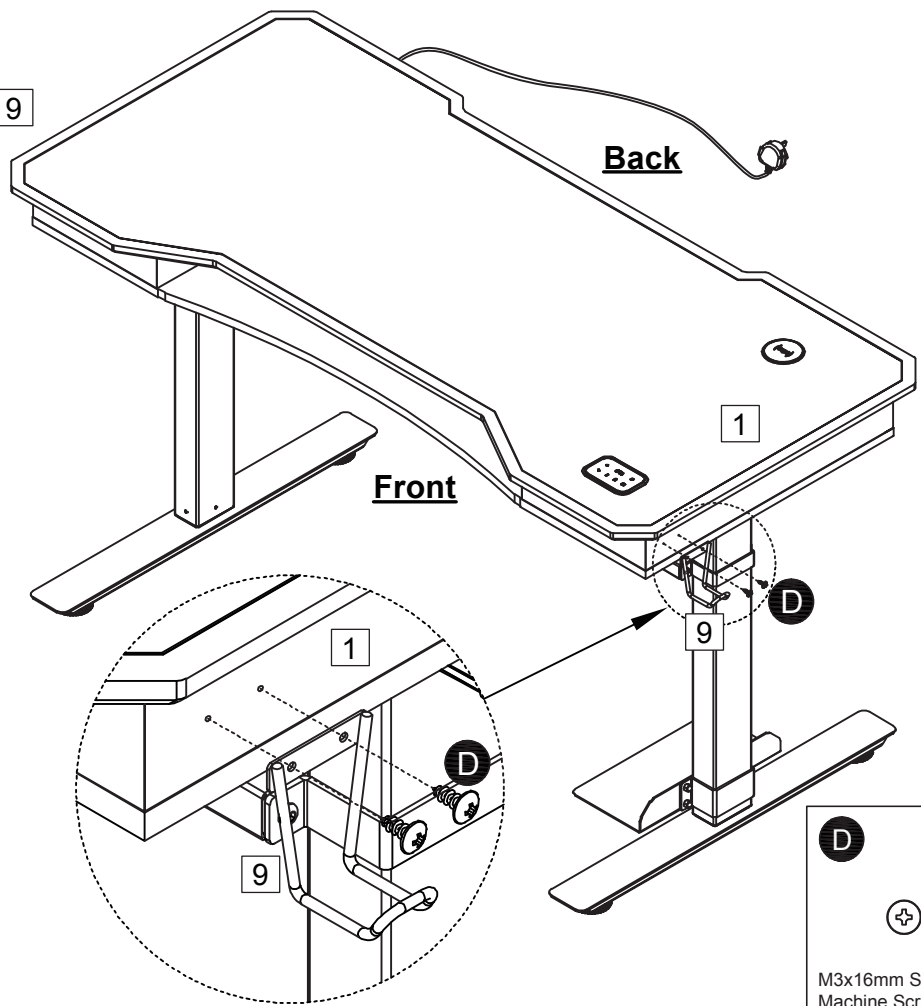
Spanner Qty 1



Allen Key Qty 1

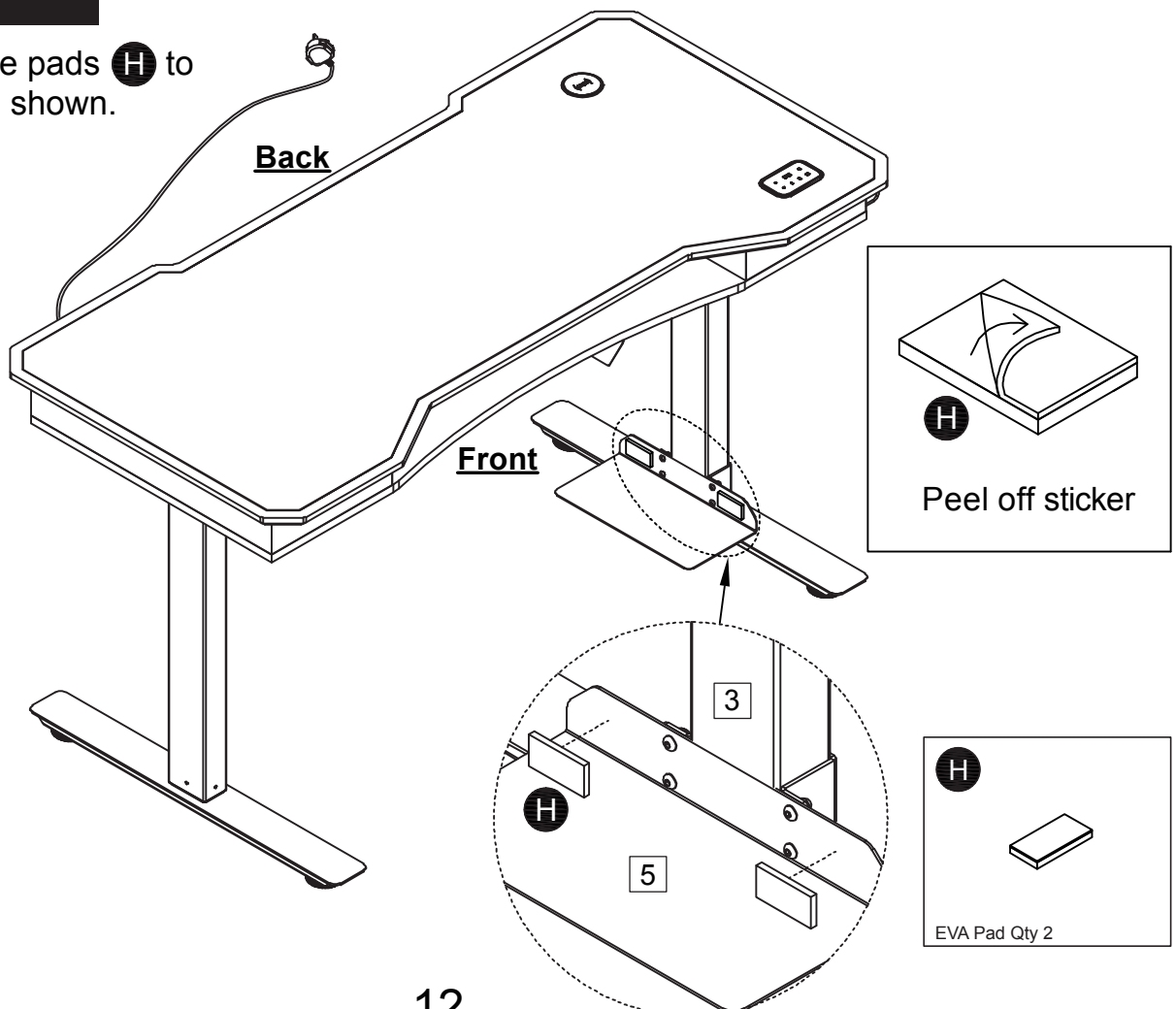
Step 6

Assemble accessory hook **9**
using fixings **D**.



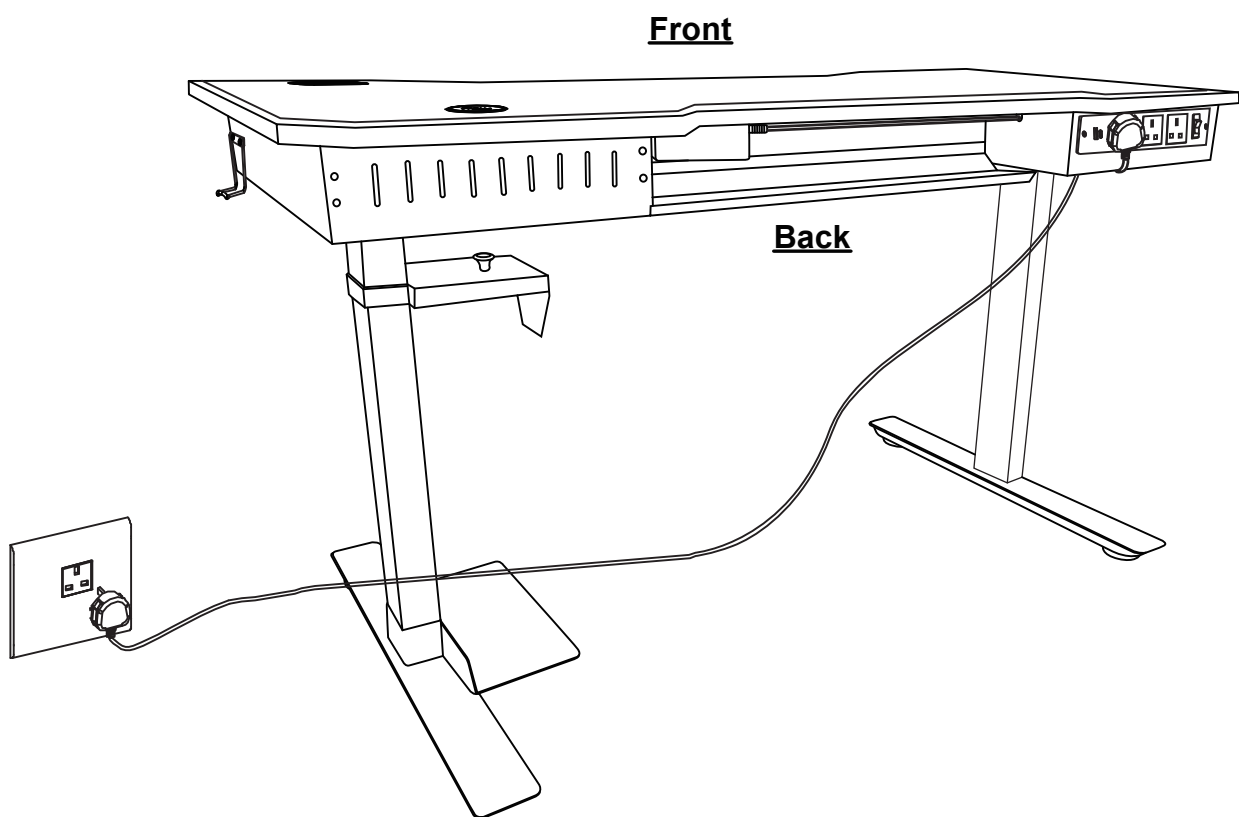
Step 7

Stick self adhesive pads **H** to
lower shelf **5** as shown.



Step 8




Connect to mains power.



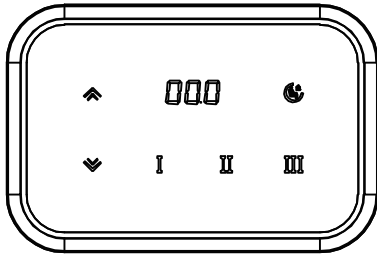
Factory reset is recommended before first use. (See Page 14 - Reset operation)

Operation

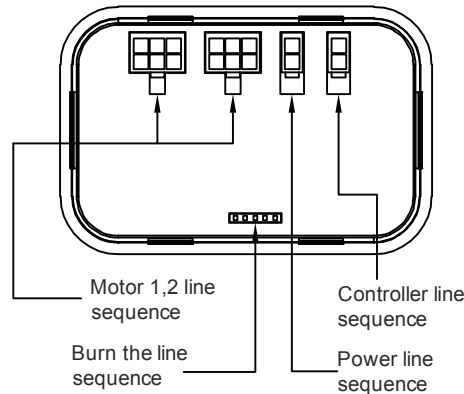
Controls

Button	I	II	III			
Initial Value	Factory preset height 800mm	Factory preset height 950mm	Factory preset height 1100mm	Sedentary reminders	Raise / Up	Lower / Down

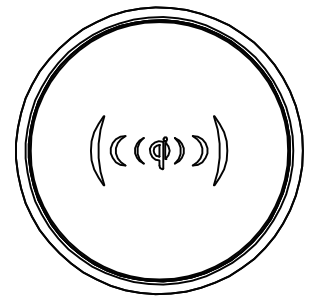
LED Control Panel



Back of Control Panel



Wireless Charger(Qi)






wireless charging:10w

First use:


When power is first connected, the led display will illuminate, and two audible beeps will sound. The display will show the current height. If the height displayed by the manual controller does not match the actual height of the desk top or the height of the desk top has changed after disassembly, the reset operation needs to be performed see below. Otherwise, it can be used directly according to the factory default.


Reset operation:

Before using the desk for the first time, you may need to recalibrate the desk height. Lower the desk to it's lowest position, then press and hold the  button for 5 seconds to enter reset mode. RST is displayed on the screen. Continue to hold the  button while the desk recalibrates. 75.0 is displayed once the desk has reset. If you accidentally release the  button before this, you will need to begin the reset process again. If an error code is displayed, follow the steps above to reset.

Desk Top Up / Down:

1. The LED digital display shows the height of the base. The digital display turns off automatically if there is no input after 5 seconds.

2 Press and hold the "" button to move the base and release when the base reaches the desired height. When the display shows "top", the base has reached its highest position.


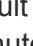



2 Press and hold the "" button to lower the base and release it when it reaches the desired height. The base is at the lowest position when the display shows "bot".

Height memory settings:

Adjust the desk to the desired height. Press any key of "I", "II", "III" for more than 5 seconds. Then the current height position is saved to the corresponding key. The desk memory can hold a total of 3 height positions, and it is repeatable and can be saved after power failure. After the memory position is completed, directly press any of the keys in "I", "II", "III", and the table will display the height of the memory for 1 second. At the same time, it will automatically run to the recorded position of the corresponding key. In the process of adjusting the table back to the memory position, press any key to stop the operation.

Operation

Stand Reminder:

Press and hold the "  " button of the manual controller for more than 3 seconds. The display screen flashes and displays the current default display of 60 minutes. At this time, you can press the "  " and "  " keys to switch the sitting time (45 minutes, 60 minutes, 90 minutes, 120 minutes). After the setting of the time, directly press the "  " button to randomly start the sedentary reminder. Manual control all key lights begin to flash in the form of side RGB LED strip, the buzzer emits two beeps. At this time the user presses any of the keys in "I", "II", "III", the table will rise to the memory bit set by the corresponding "I", "II", "III" keys, if the user does not want to stand up and work, you can press the "  " key to turn off the sedentary reminder function.

Energy saving mode:



If no operation is performed on the key within 30 seconds, the energy saving mode is entered. The manual display is turned off and the controller enters the low power consumption mode. Press any key to exit the energy saving mode. In energy saving mode, the key motion command does not take effect.



Thermal protection:

In order to better protect the motor, the system will run 5 meters in 18 minutes, and the system will enter the thermal protection mode. The thermal protection needs to be detected in the shutdown state, and the display screen will display HOT. At this time, other functions of the manual controller will be turned off and the key cannot be used.

After 18 minutes, the hand controller will automatically exit the thermal protection mode, or exit the thermal protection mode after power failure and restart.

Lock / Unlock:

:Press and hold "  " or "  " for 5 seconds. If LOC is displayed on the manual controller, the system is locked and cannot be raised or lowered.

In the locked state, press and hold "  " or "  " for 5 seconds. When the LED display changes from LOC to a normal digit display, the system is unlocked.

LED Display Settings:

The settings listed below can be changed as follows:-

To access the display panel settings, hold the  and  buttons at the same time for 5 seconds.

7 setting codes are available

P00 – Select Unit of Measure (cm or inch)

P01 – Select Lowest Height Position



P02 – Select Highest Height Position

P03 – Not Active

P04 – Set Maximum Anti Collision Sensitivity

P05 - Set Minimum Anti Collision Sensitivity

P06 – Switch Audible Warning Sounds On or Off

Once setting code P00 is displayed, select desired code using  or  button.

To enter desired code press "I"

Operation

Code Name	Code Display	Setting Display	Default parameters	Remark
Select Unit of Measure (cm or inch)	P00	0/1	0	0: "cm" 1: "inch"
Select Lowest Height Position	P01	Bottom~(Top-10)	Top (minimum height)	Numerical value ranges: Bottom-(top -10)cm, one step setting is 1cm, At the same time, the setting value should be at least 10cm smaller than the maximum limit height .
Select Highest Height Position	P02	(Bottom+10)~Top	Top (maximum height)	Numerical value ranges: (Bottom+10)~Top, one step setting is 1cm, At the same time, the setting value should be at least 10cm larger than the minimum limit height .
Not Active	P03	0 ~ 60	0	reserved
Set Maximum Anti Collision Sensitivity	P04	0 ~ 10	5	0: disables. 1 ~ 10: The larger the number, the lower the sensitivity
Set Minimum Anti Collision Sensitivity	P05	0 ~ 10	5	0: disables. 1 ~ 10: The larger the number, the lower the sensitivity
Switch Audible Warning Sounds On or Off	P06	0/1	1	0: Turn off the buzzer (do not turn off the abnormal alarm tone) 1: Turn on the buzzer

Wireless charging function

If you have a wireless charging compatible device, please put the phone on the wireless charging indicator and check if the phone is successfully connected to the charging function. If not, move the mobile phone near the logo until the connection is successful.

Some phone cases may inhibit the wireless charging function or its efficiency. It may be necessary to remove the phone case if difficulties are experienced.

Wireless charging will only work with wireless charging compatible mobile devices.



wireless charging function

Trouble Shooting

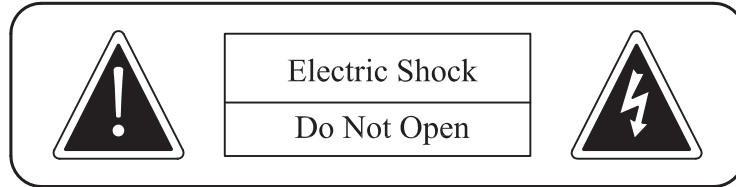
Trouble Removal

When there is a fault, two audible “beeps” sound to remind the user that the machine is in a fault state and cannot be used. After the fault is completely cleared, two audible “beeps” sound to remind the user that the desk can be used normally.

Failure Code	Instructions	Solution
E01	Motor 1 disconnected	After checking that the line is OK, hold down the down button for 5S and then reset or restart with power off
E02	Motor 2 disconnected	After checking that the line is OK, hold down the down button for 5S and then reset or restart with power off
E03	Motor 1 overcurrent	After checking that the line is OK, hold down the down button for 5S and then reset or restart with power off
E04	Motor 2 overcurrent	After checking that the line is OK, hold down the down button for 5S and then reset or restart with power off
E05	Motor 1 Hall wire is not plugged in	After the detection line is OK, recheck the Hall interface
E06	Motor 2 Hall wire is not plugged in	After the detection line is OK, recheck the Hall interface
E07	reserved	
E08	meet resistance	In case of abnormal resistance, check whether there is an obstacle. If the sensitivity is not appropriate, please adjust the sensitivity by referring to the menu section.
E09	The position deviation between the two sides is large	After checking that the line is OK, hold down the down button for 5S and then reset or restart with power off
E10	high voltage	Check whether the power supply is correct. If no problem is found, hold down the down button for 5S seconds and then reset or restart with power off
E11	low voltage	Check whether the power supply is correct. If no problem is found, hold down the down button for 5S seconds and then reset or restart with power off
E12	Motor 1 Hall break	Check whether the power supply is correct. If no problem is found, hold down the down button for 5S seconds and then reset or restart with power off
E13	Motor 2 Hall break	Check whether the power supply is correct. If no problem is found, hold down the down button for 5S seconds and then reset or restart with power off
E14	overload protection	Check whether the power supply is correct. If no problem is found, hold down the down button for 5S seconds and then reset or restart with power off

Electrical system

WARNINGS!! Please read carefully



This symbol is intended to alert the user to the presence of un-insulated “dangerous voltage” within the product’s enclosure that may be of sufficient magnitude to cause an electric shock.



This symbol is intended to alert the user to the presence of important operating and maintenance instructions in this user manual.

- a. In order to avoid accidents, do not open any electrical covers. Refer to a professional if the circuit is faulty.
- b. Do not expose the unit to damp or moisture.
- c. Keep the unit away from containers holding liquid. If any liquid enters into the unit, it may be damaged.
- d. Do not expose the unit to dust or smoke.
- e. If the unit will not be used for a long time, please unplug the power.
- f. When using the unit, if smoke appears, or if there is a peculiar smell, please turn off the power, pull out the socket and seek professional help.
- g. Pull out the plug before cleaning the surface of the machine. It can be cleaned with a damp cloth and soap.

After Sales Support / Product Returns

Purchased from kobledesigns.com

In the unlikely event that you need to return the unit because it is faulty, please follow the replacements or faulty items instructions at www.kobledesigns.com website.

Should you need to request replacement parts, please contact our after sales support team at:-

Email - CS@kobledesigns.com

Tel: + 44 (0)1799 513 466

Address: Koble Designs, 6 The Shires, Shirehill industrial Estate, Saffron Walden, Essex, CB11 3AP

Purchased from other retailer

If you purchased your product from one of our retail partners, please refer back to the retailer directly, for any customer services related issues, refunds or returns requests.

Koble designs may still be able to offer support with technical related queries.

Disposal



■ If disposal of this product becomes necessary, please do this in an environmentally responsible way. Contact your local government office or authority for suitable disposal or recycling options in your local area. Do not dispose of this product, or it's components, with your general domestic waste.

**UK
CA**

RoHS

CE