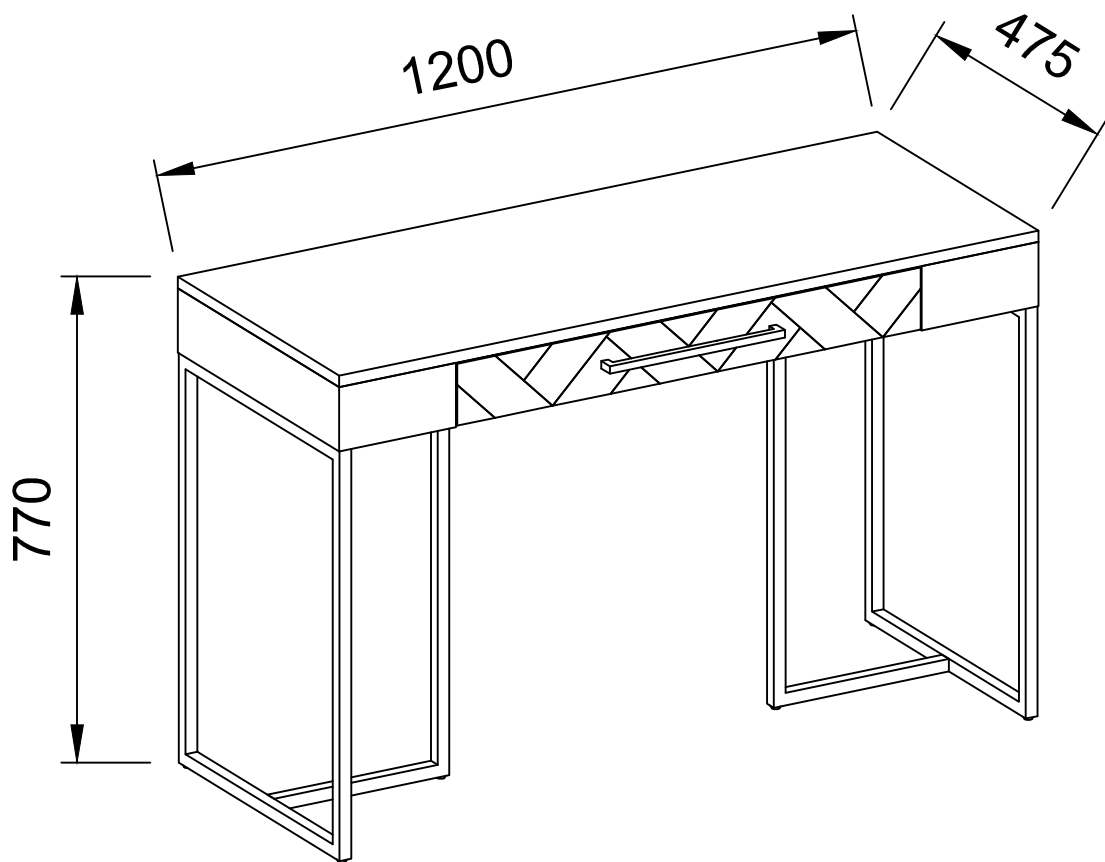


# ASSEMBLY INSTRUCTIONS

## Desk



# Care instructions

- Only clean the item using a damp cloth and mild detergent. Do not use abrasive cleaners.
- Use a dry cloth to clean the product, furniture polish is not recommended.
- From time to time check that there are no loose screws, nuts or bolts. if there are please re-tighten.
- This product should not be discarded with household waste. Take to your local authority waste disposal centre.

# Assembly instructions

- Never use power tools unless specially instructed. They can damage your components or hardware if used incorrectly.
- The most common mistakes made during assembly are using the wrong hardware or getting components back to front.
- Always use a soft surface (such as carpet or cardboard) when assembling your product to avoid scratching or damaging the surface of the product.
- Bulky items such as wardrobes and bunk beds should be assembled in the room they will be used in as they may not fit through a door once assembled.
- Never use any glue until you are certain that the parts belong together.

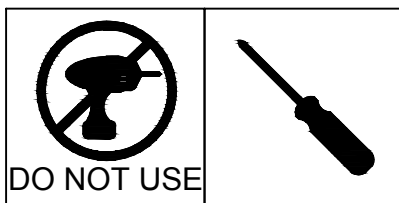


**WARNING: ENSURE THE WALL STRAP IS ATTACHED TO AVOID SERIOUS INJURY.**

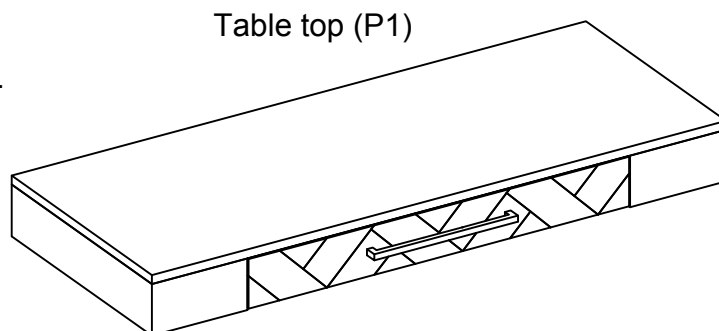
To avoid any serious or fatal injury, this product has been fitted with a wall strap to prevent toppling. We strongly recommend that this product is permanently fixed to the wall or other suitable surface. Fixing devices are not included since different surface materials require different attachments. Please seek professional advice if you are in doubt of what fixing device to use.

# What you need

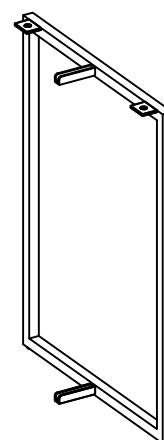
to assemble the product



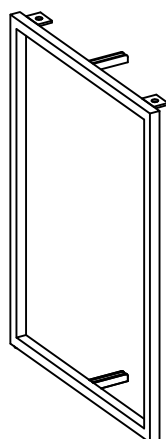
Other tools you need  
Phillips head screwdriver.



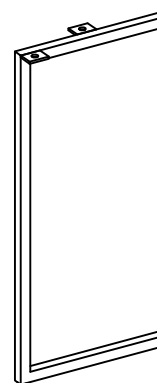
Leg frame (P2)



Leg frame (P2)



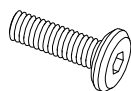
Leg frame (P3)



Leg frame (P3)

## Parts list

- 1 x Table top (P1).
- 2 x Leg frame (P2).
- 2 x Leg frame (P3).



16 x Bolt  
(H1)



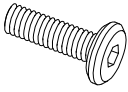


16 x Flat washer  
(H2)

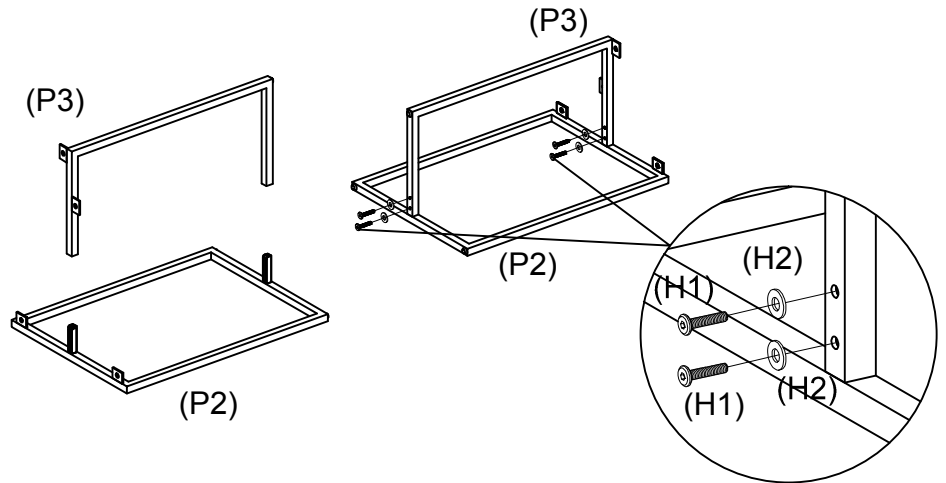


1 x Allen key  
(H3)

# Step 1

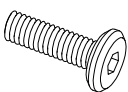


**Note: Assemble the desk on a soft flat surface to prevent unit from being damaged during assembly.**

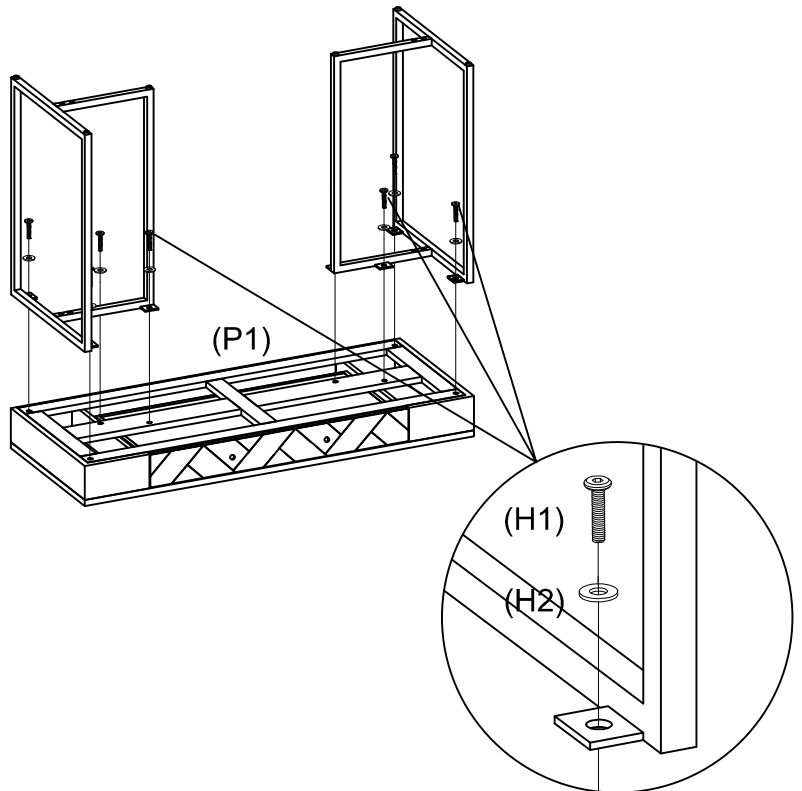
You will need	
	
8 x Bolt (H1)	8 x Flat washer (H2)
	
1 x Allen key (H3)	



Fix leg frames (P3) to leg frames (P2) with 8 bolts (H1) and 8 flat washers (H2). Tighten the bolts using Allen key (H3).

# Step 2


You will need	
	
8 x Bolt (H1)	8 x Flat washer (H2)
	
1 x Allen key (H3)	

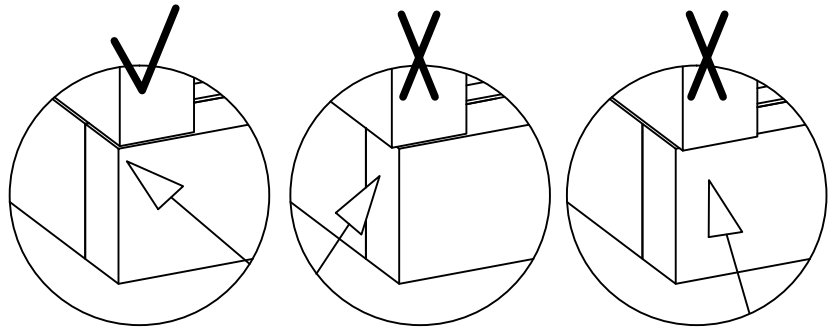
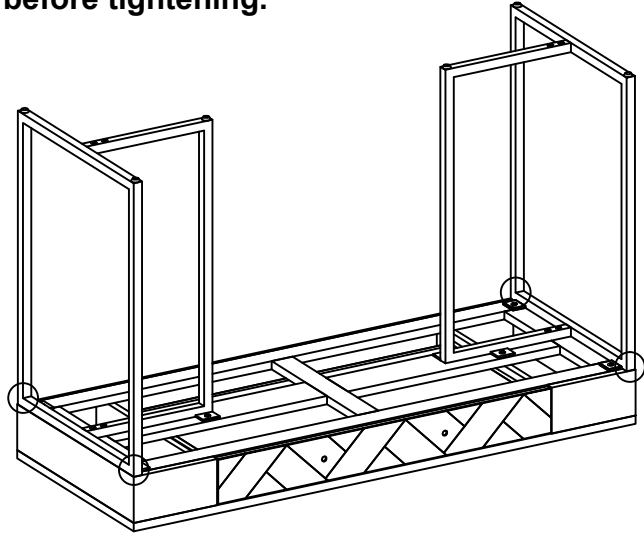


Loosely attach the leg frames to table top (P1) with 8 bolts (H1) and 8 flat washers (H2) using Allen key (H3).

# Step 3

Make sure the frame aligns to the top table before tightening.

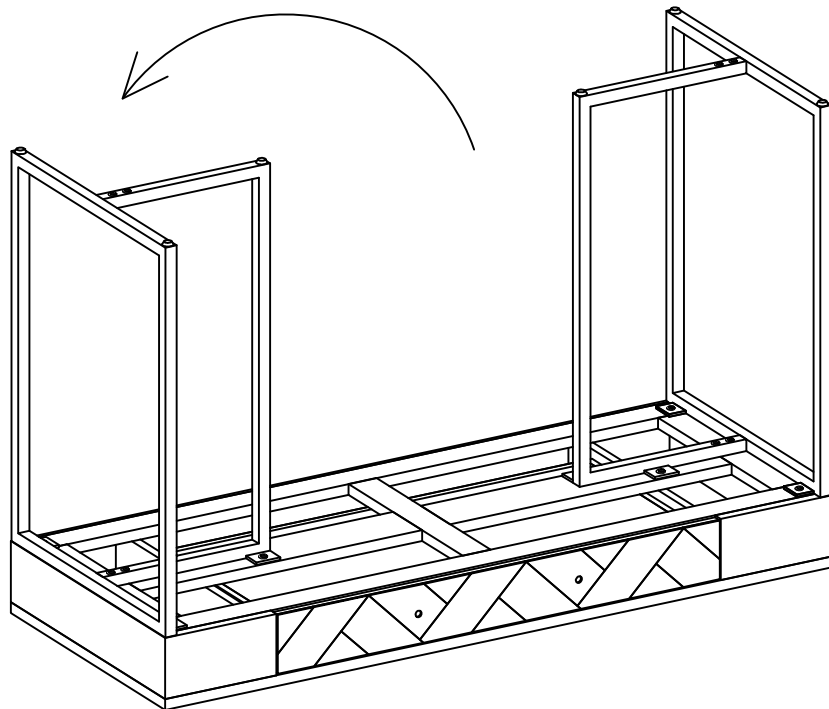
You will need	
	
1 x Allen key (H3)	



Align the leg frames to table top (P1) as shown. Tighten the bolts using Allen key (H3).

# Step 4

From this position, using two people, turn the desk over in a counter clockwise motion. Please ensure the drawer closed during this process.

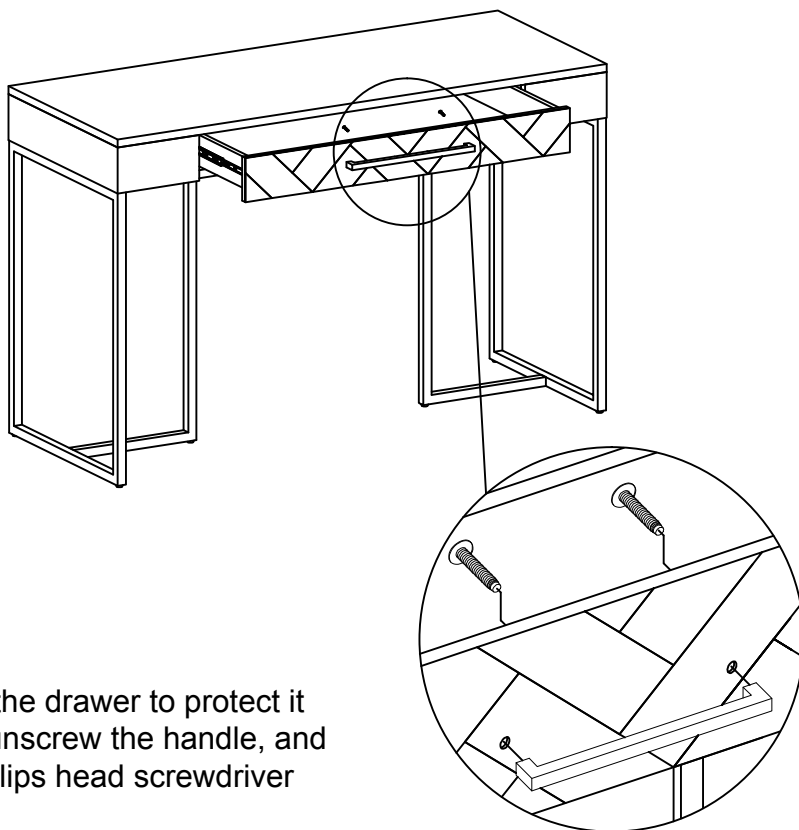


# Step 5

You will need

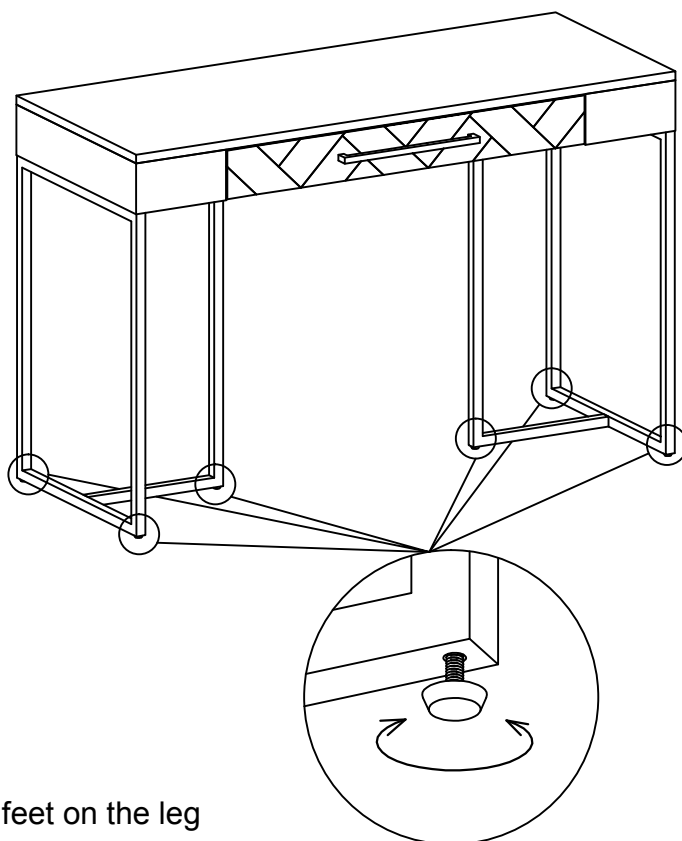


Phillips head  
screwdriver



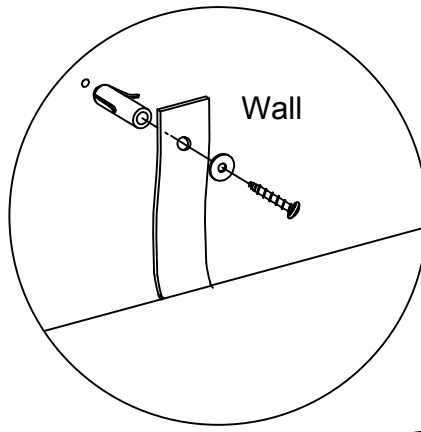
The handle is fitted on the inside of the drawer to protect it during transport. Open the drawer, unscrew the handle, and then fix it on the outside using a Phillips head screwdriver as shown.

# Step 6




If necessary, adjust the plastic feet on the leg frames until the desk is level.

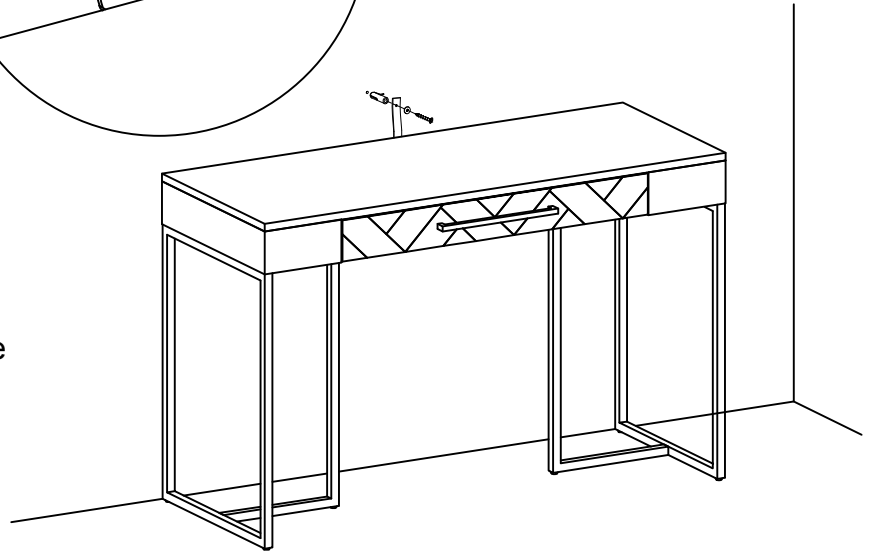
# Step 7



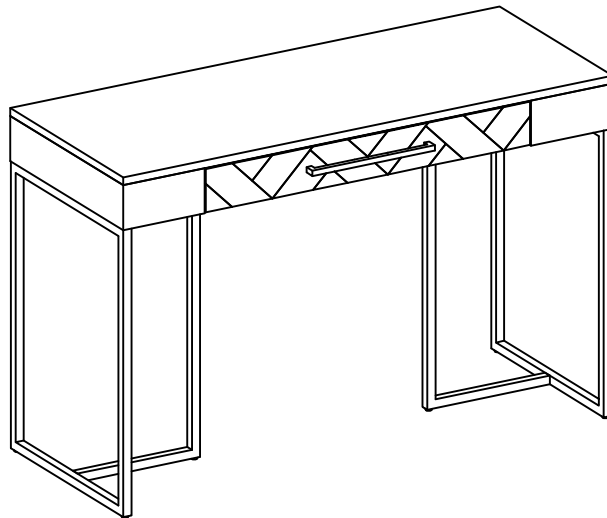
We strongly advise that you use the wall safety strap provided to prevent the unit toppling.

You will need	
	
Phillips head screwdriver	

Screw, washer and wall plug are not provided. Please use appropriate fixtures for your wall. Seek advice from a qualified trades person on how to attach safety strap to the wall. Move the desk to the final position and attach the safety strap to the wall securely.



# Step 8



# Job Complete!