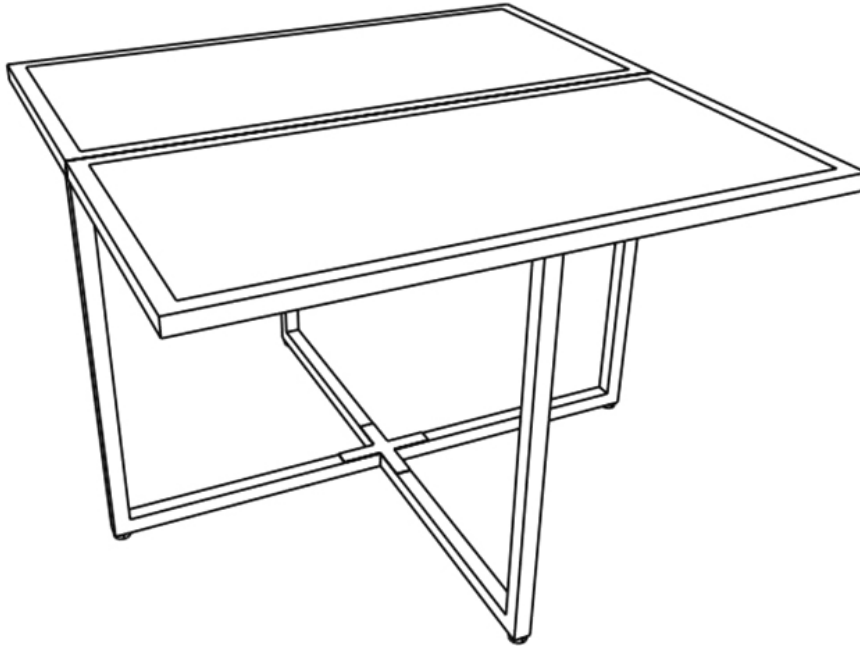


Product size: L110*W110*H72 cm



The frame of this product is manufactured from mild steel coated with a weather resistant paint. Steel has a natural tendency to rust over time and, whilst we expect you to be able to enjoy your furniture for many years to come, we recommend that you check the product from time to time for signs of paint damage and/ or rust. If the paint should become damaged, or if rust begins to form, you should clean the affected area and apply a suitable "thinners based" touch-up paint. Such paints are readily available from all good hardware and DIY stores.

The intended use of this product is for domestic use only.

Important, please retain for future reference.

Read carefully.



CANNES 8 Seater Cube Table

ASSEMBLY INSTRUCTIONS

Before you start



Warnings

IMPORTANT, RETAIN FOR FUTURE REFERENCE READ CAREFULLY

See enclosed instructions for assembly, safety and care information.

Failure to follow the warnings could result in serious injury.

Handle heavy parts with care.

Ensure that this product is fully assembled as illustrated before use.

This product should only be used on firm, level ground.

Keep small parts out of reach of children.

Do not stand or climb onto this product.

This product is intended for **domestic use** only.

Ensure the table is always placed on level ground.

Furniture can be dangerous if incorrectly used. No liability will be accepted for damage or injury caused by incorrect use of this product.

✓ Dos

When you are ready to start, make sure that you have the right tools, plenty of space and a clean, dry area for assembly.

Unwrap all packaging materials and place the components on a suitable surface to prevent scratching your product.

Check all contents are present prior to assembly as per the parts list provided. In the event of problems or missing parts, please contact the seller.

Check all screws and bolts are tightened and inspect regularly.

Cover furniture when not in use to add additional protection to your product.

During severe weather conditions, including high winds, rain, hail, thunderstorms, extreme heat and cold temperatures, the product should be stored inside in a cool, dry place.

To best preserve the synthetic rattan, please use a protective cover when your furniture is not in use. We would also recommend using a gazebo or parasol over your furniture during the summer period and prolonged sunny spells. This will help prevent harmful UV rays from damaging and discolouring the material.

Ensure that the product is clean and dry before storage.

Clean your product with a sponge and warm soapy water then wipe with a clean, dry cloth.

When cleaning glass panels use a damp cloth or leather with washing up liquid or soft soap if necessary

Where instructions as to the; storage, commissioning, installation, use and maintenance of the goods or (if there is none) good trade practice are not followed and a defect arises this will void the 12 month manufacturer's guarantee on the product.

✗ Don'ts

Do not use scourers, abrasives, washing powders, chemical cleaners or any other substances containing abrasives since these substances can damage the product, including the glass panel.

To preserve the table top design do not place greasy / oily items directly onto the surface. Use place-mats to prevent spillages of food or drink.

Do not place very hot or very cold items on the glass surface unless adequately thick table-mats are used to prevent such items from coming into contact with the glass.

Do not use the table as a chopping surface.

Do not strike the table with hard or pointed items.

Do not sit or lean on the table.

Do not use power tools to construct this product.

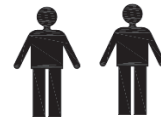
Do not use this product if parts are missing, damaged or worn.

Do not stand or climb onto the product and do not use it as a ladder, as this could lead to it unbalancing and overturning.

Never drag furniture when moving it, always lift it.

Number of people required for assembly

Two people

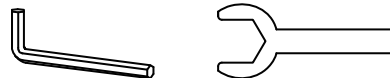


Time to assemble



20 Minutes

Tools required



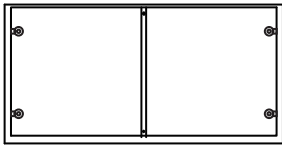

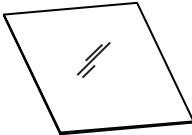
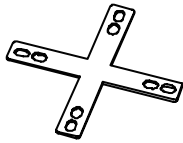
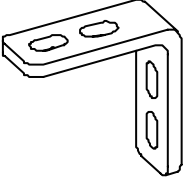

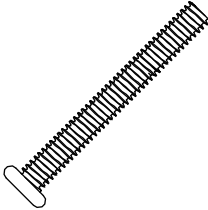

Tips:

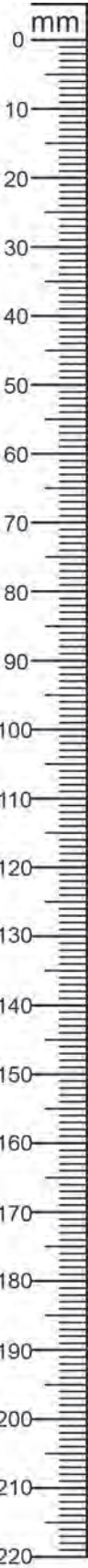
It is best not to fully tighten the nuts and bolts until they are all correctly located. Only carefully tighten them when you are satisfied with the alignment of all components.


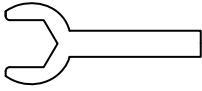

Be careful not to overtighten.

www.royalcraft.co.uk

Components, fixtures & fittings (not actual size)

Parts List					
Part No.	Diagram	Qty.	Part No.	Diagram	Qty.
A	 Table Top Frame	2 PCS	B	 Table Leg	4 PCS
C	 Glass Top	2 PCS	D	 Connecting Panel	1 PC
E	 L-Shape Connecting Bar	8 PCS	N15	 M6*15mm Bolt	40 PCS
N45	 M6*45mm Bolt	4 PCS	F2	 Nut	4 PCS



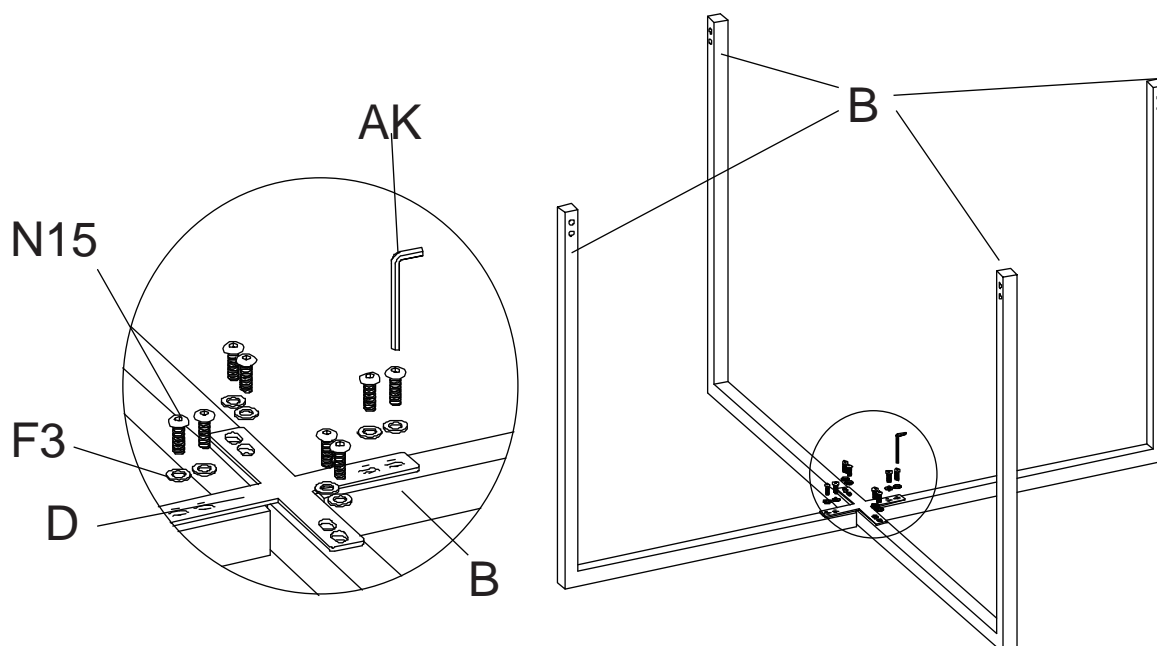
F3	 Washer	48 PCS	S1	 Spanner	1 PC
AK	 Allen Key	1 PC			

Step by step assembly instructions

Step One

With the help of another person, attach the Connecting Panel (D) to the Table Legs (B) using Washers (F3) and Bolts (N15).

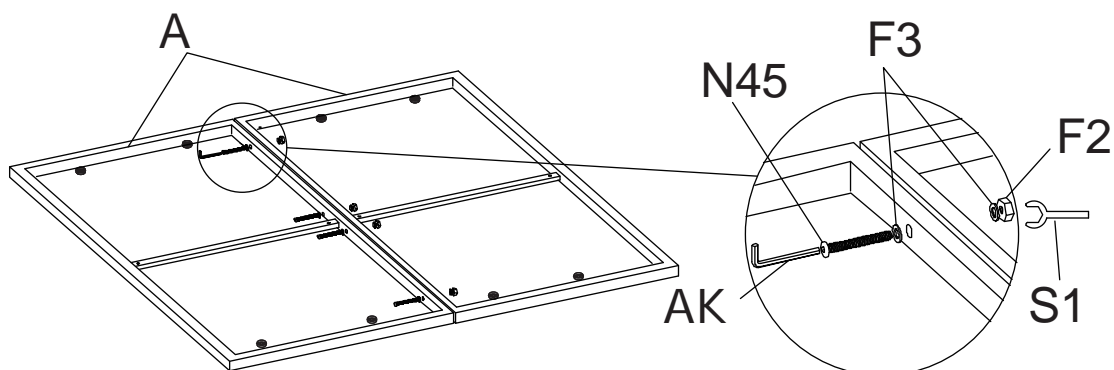
At this stage, please do not tighten all Bolts, just let it can be rotated freely.



Step Two

With the help of another person, combine the Table Top Frames (A) using Washers (F3), Bolts (N45) and Nuts (F2).

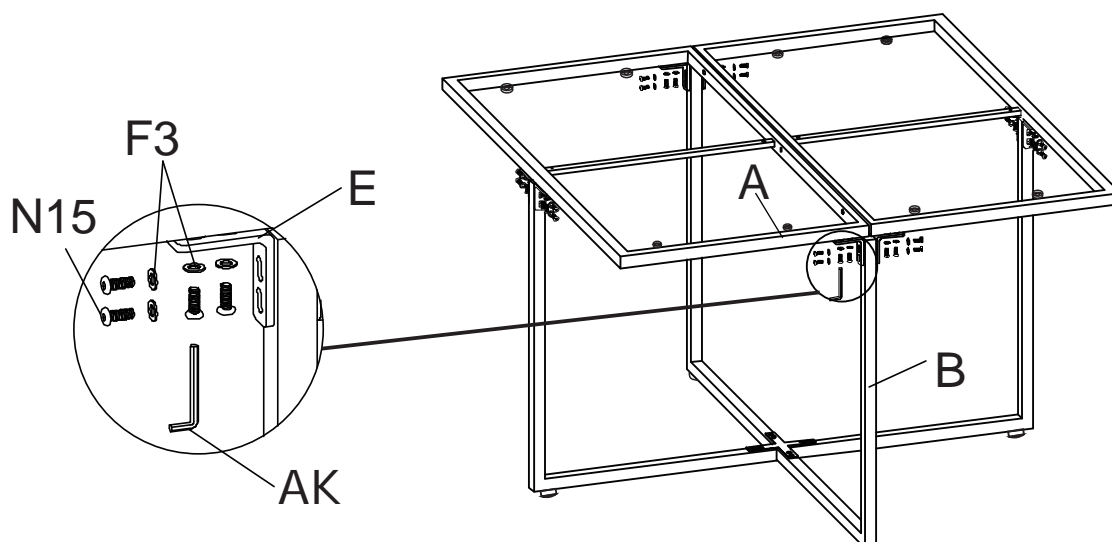
At this stage, please do not fully tighten all Bolts and Nuts.



Step Three

With the help of another person, attach the Table Top Frames (A) to the Table Legs (B) using L-Shape Connecting Bar (E), Washers (F3) and Bolts (N15).

Once you are satisfied with the alignment of all components, carefully tighten all Bolts and Nuts using Allen Key (AK) and Spanner (S1).

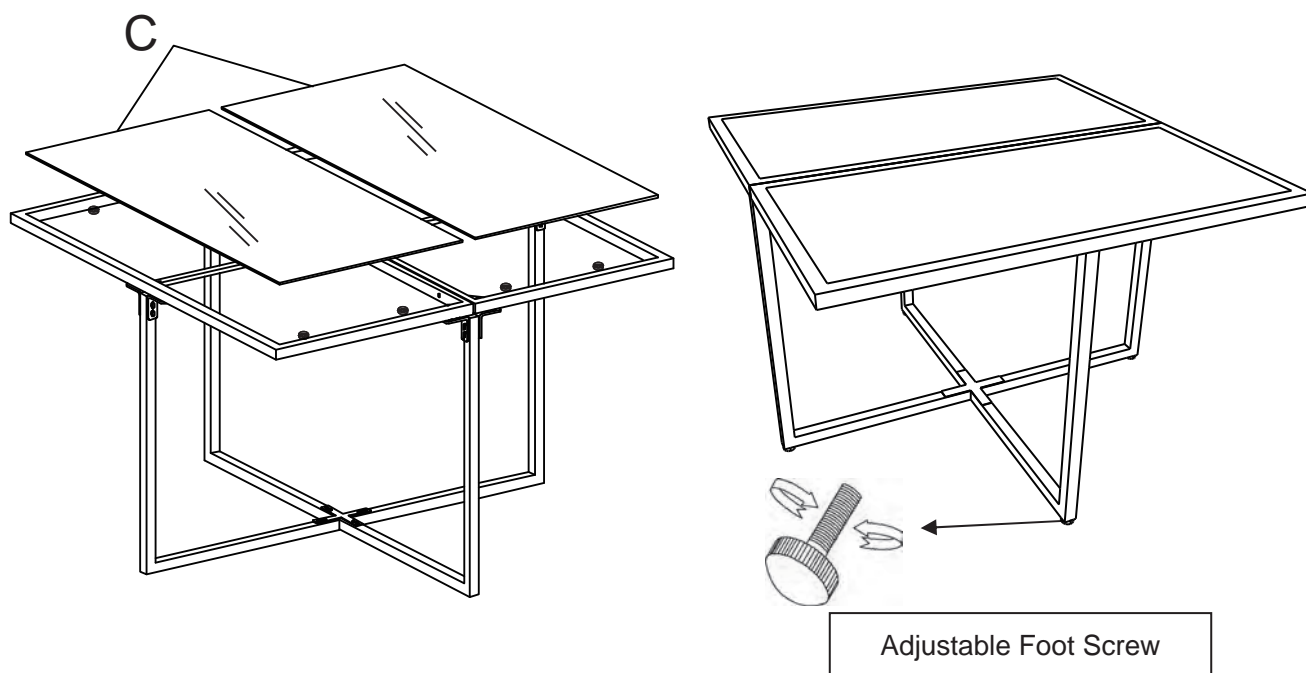


Step Four

With the help of another person, carefully lift Glass Top (C) and place it onto the Table Top Frame (A).

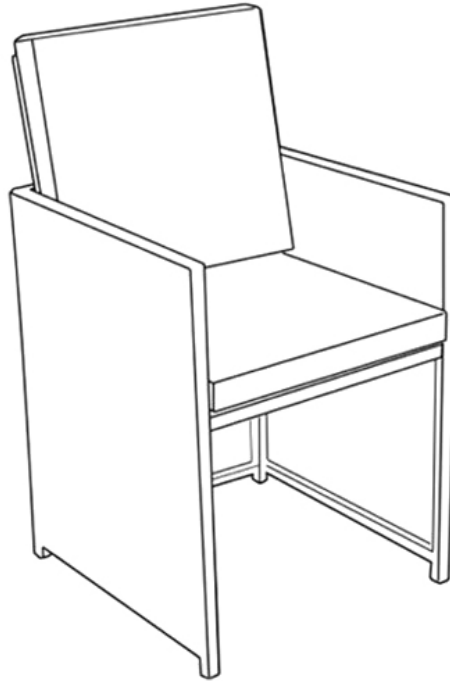
Make sure the glass top rest evenly and securely within the table frame.
Level the table by adjustable feet screw.

Your table is now ready for use.



PLEASE KEEP THESE INSTRUCTIONS FOR FUTURE REFERENCE

Product size: W51*D57*H67/88cm



The frame of this product is manufactured from mild steel coated with a weather resistant paint. Steel has a natural tendency to rust over time and, whilst we expect you to be able to enjoy your furniture for many years to come, we recommend that you check the product from time to time for signs of paint damage and/ or rust. If the paint should become damaged, or if rust begins to form, you should clean the affected area and apply a suitable "thinners based" touch-up paint. Such paints are readily available from all good hardware and DIY stores.

The intended use of this product is for domestic use only.

Important, please retain for future reference.

Read carefully.

Before you start

Warnings

IMPORTANT, RETAIN FOR FUTURE REFERENCE READ CAREFULLY

See enclosed instructions for assembly, safety and care information.

Failure to follow the warnings could result in serious injury.

Handle heavy parts with care.

Ensure that this product is fully assembled as illustrated before use.

This product should only be used on firm, level ground.

Keep small parts out of reach of children.

Do not stand or climb onto this product.

This product is intended for **domestic use** only.

Ensure the table is always placed on level ground.

Furniture can be dangerous if incorrectly used. No liability will be accepted for damage or injury caused by incorrect use of this product.

Dos

When you are ready to start, make sure that you have the right tools, plenty of space and a clean, dry area for assembly.

Unwrap all packaging materials and place the components on a suitable surface to prevent scratching your product.

Check all contents are present prior to assembly as per the parts list provided. In the event of problems or missing parts, please contact the seller.

Check all screws and bolts are tightened and inspect regularly.

Cover furniture when not in use to add additional protection to your product.

Store all cushions indoors after use as they are not waterproof.

During severe weather conditions, including high winds, rain, hail, thunderstorms, extreme heat and cold temperatures, the product should be stored inside in a cool, dry place.

To best preserve the synthetic rattan, please use a protective cover when your furniture is not in use. We would also recommend using a gazebo or parasol over your furniture during the summer period and prolonged sunny spells. This will help prevent harmful UV rays from damaging and discolouring the material.

Ensure that the product is clean and dry before storage.

Clean your product with a sponge and warm soapy water then wipe with a clean, dry cloth.

Cushions should be cleaned following the care instruction on the label.

Don'ts

Never tilt the chair during use.

Do not stand or climb onto the product.

Do not use power tools to construct this product.

Do not sit or lean onto the arms of this product.

Do not use this product if parts are missing, damaged or worn.

Never use scourers, abrasives or chemical cleaner.

Do not use this product as a ladder as this could lead to the product becoming unbalanced and overturning.

Do not place very hot or very cold items on this product surface.

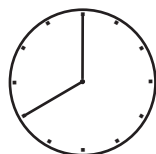
Never drag furniture when moving it, always lift it.

Number of people required for assembly

Two people



Time to assemble



40 minutes

Tools required

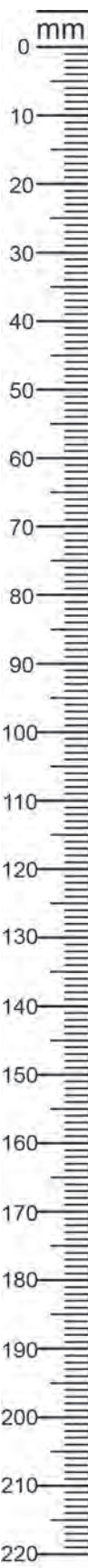


Tips:

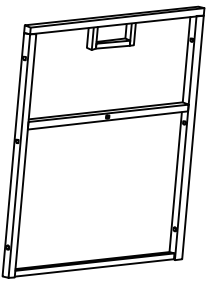
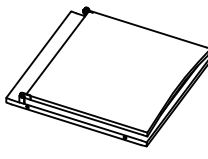
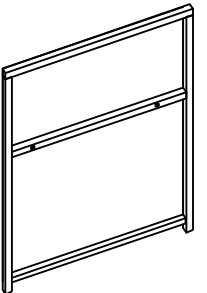
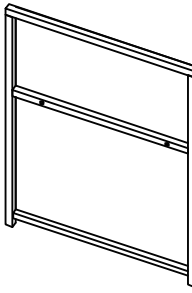
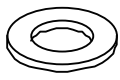
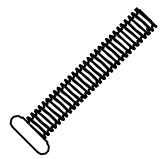
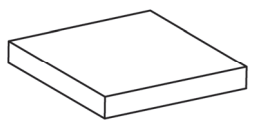

It is best not to fully tighten the nuts and bolts until they are all correctly located. Only carefully tighten them when you are satisfied with the alignment of all components.

Be careful not to overtighten.

Components, fixtures & fittings (not actual size)



Parts List

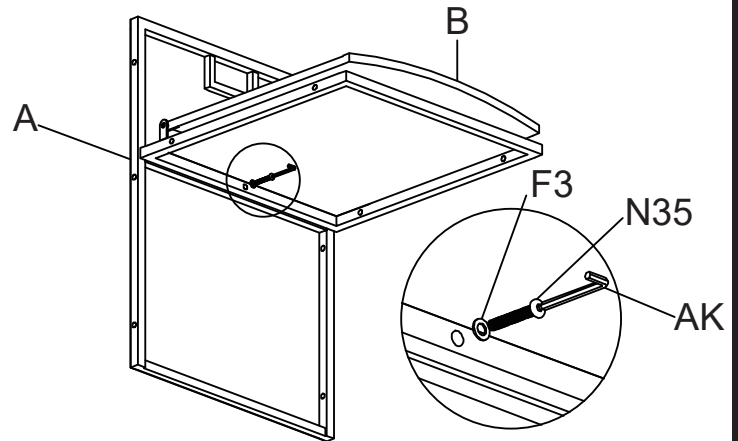
Part No.	Diagram	Qty.	Part No.	Diagram	Qty.
A	 Back Panel	4 PCS	B	 Seat and Folding Backrest	4 PCS
C	 Right Leg	4 PCS	D	 Left Leg	4 PCS
F3	 Washer	44 PCS	N35	 M6*35mm Bolt	44 PCS
E	 Cushion	8 PCS	AK	 Allen Key	1 PC

Step by step assembly instructions

Step One

Attach the Seat and Folding Backrest (B) to the Back Panel (A) using Washers (F3) and Bolts (N35).

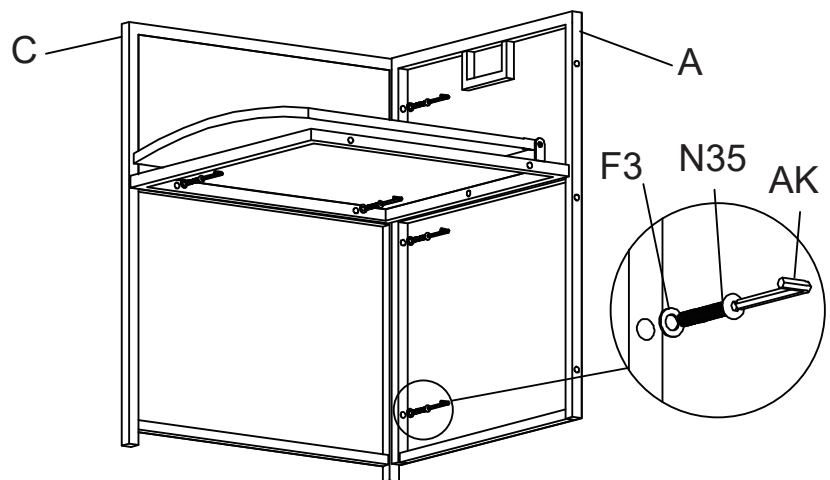
At this stage, don't fully tighten the bolts.



Step Two

Attach the Right Leg (C) to the Back Panel (A) and Seat and Folding Backrest (B) using Washers (F3) and Bolts (N35).

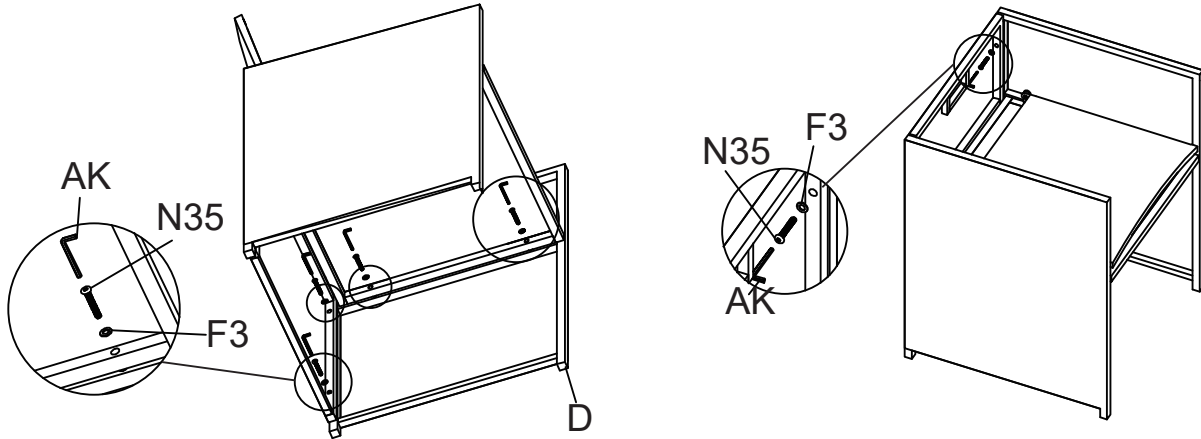
At this stage, don't fully tighten the bolts.



Step Three

Repeat above step to finish the assembly of Left Leg (D).

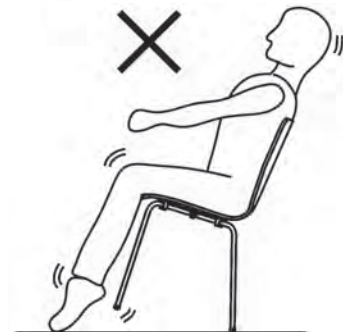
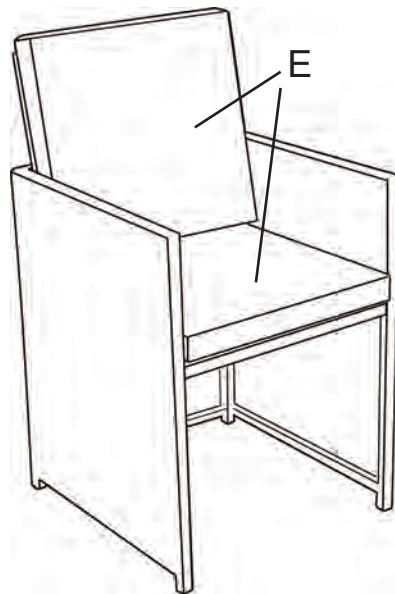
Once you are satisfied with the alignment of all components, carefully tighten all Nuts using Allen Key (AK).



Step Four

Attach the Cushions (E) to the Chair.

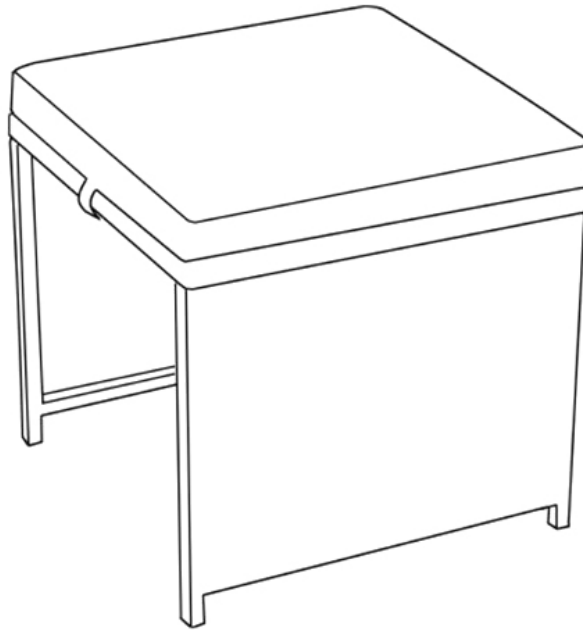
Your Chair is now ready for use.



Never tilt the Chair during use.
Ensure the product is always placed firmly on the ground.

PLEASE KEEP THESE INSTRUCTIONS FOR FUTURE REFERENCE

Product size: W41*D41*H36cm



The frame of this product is manufactured from mild steel coated with a weather resistant paint. Steel has a natural tendency to rust over time and, whilst we expect you to be able to enjoy your furniture for many years to come, we recommend that you check the product from time to time for signs of paint damage and/ or rust. If the paint should become damaged, or if rust begins to form, you should clean the affected area and apply a suitable "thinners based" touch-up paint. Such paints are readily available from all good hardware and DIY stores.

The intended use of this product is for domestic use only.

Important, please retain for future reference.

Read carefully.



Cannes Cube Stool x4

ASSEMBLY INSTRUCTIONS

Before you start



Warnings

IMPORTANT, RETAIN FOR FUTURE REFERENCE READ CAREFULLY

See enclosed instructions for assembly, safety and care information.

Failure to follow the warnings could result in serious injury.

Handle heavy parts with care.

Ensure that this product is fully assembled as illustrated before use.

This product should only be used on firm, level ground.

Keep small parts out of reach of children.

Do not stand or climb onto this product.

This product is intended for **domestic use** only.

Ensure the table is always placed on level ground.

Furniture can be dangerous if incorrectly used. No liability will be accepted for damage or injury caused by incorrect use of this product.

✓ Dos

When you are ready to start, make sure that you have the right tools, plenty of space and a clean, dry area for assembly.

Unwrap all packaging materials and place the components on a suitable surface to prevent scratching your product.

Check all contents are present prior to assembly as per the parts list provided. In the event of problems or missing parts, please contact the seller.

Check all screws and bolts are tightened and inspect regularly.

Cover furniture when not in use to add additional protection to your product.

Store all cushions indoors after use as they are not waterproof.

During severe weather conditions, including high winds, rain, hail, thunderstorms, extreme heat and cold temperatures, the product should be stored inside in a cool, dry place.

To best preserve the synthetic rattan, please use a protective cover when your furniture is not in use. We would also recommend using a gazebo or parasol over your furniture during the summer period and prolonged sunny spells. This will help prevent harmful UV rays from damaging and discolouring the material.

Ensure that the product is clean and dry before storage.

Clean your product with a sponge and warm soapy water then wipe with a clean, dry cloth.

Cushions should be cleaned following the care instruction on the label.

Where instructions as to the; storage, commissioning, installation, use and maintenance of the goods or (if there is none good trade practice are not followed and a defect arises this will void the 12 month manufacturer's guarantee on the product.

✗ Don'ts

Do not stand or climb onto the product.

Do not use power tools to construct this product.

Do not sit or lean onto the arms of this product.

Do not use this product if parts are missing, damaged or worn.

Never use scourers, abrasives or chemical cleaner.

Do not use this product as a ladder as this could lead to the product becoming unbalanced and overturning.

Do not place very hot or very cold items on this product surface.

Never drag furniture when moving it, always lift it.

Number of people required for assembly

Two people



Time to assemble



30 minutes

Tools required



Tips:

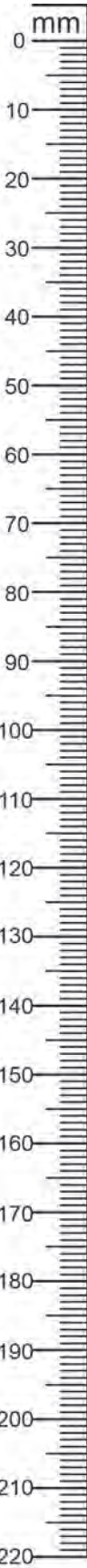
It is best not to fully tighten the nuts and bolts until they are all correctly located.

Only carefully tighten them when you are satisfied with the alignment of all components.

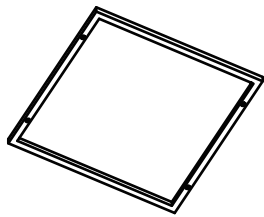
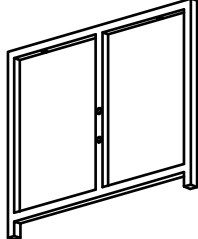
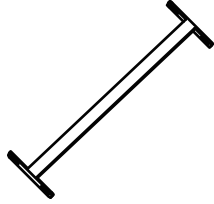
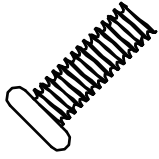
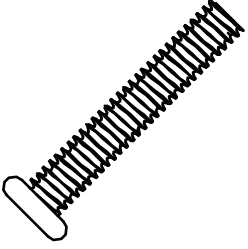

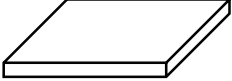

Be careful not to overtighten.

www.royalcraft.co.uk

Components, fixtures & fittings (not actual size)



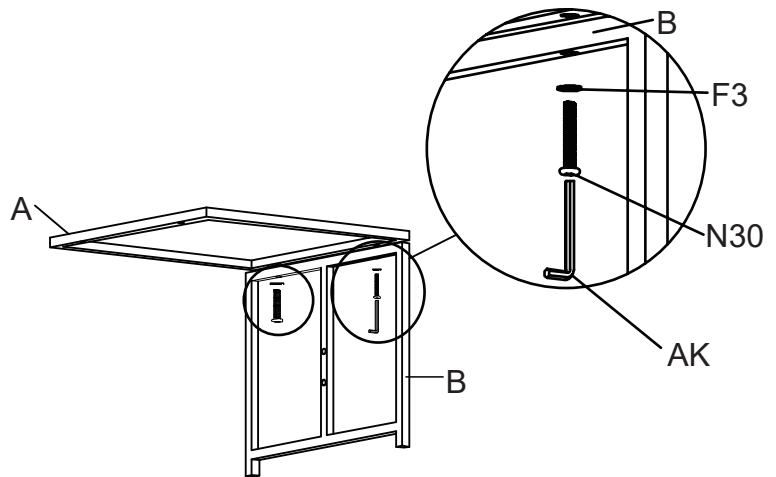
Parts List

Part No.	Diagram	Qty.	Part No.	Diagram	Qty.
A	 Stool Seat Panel	4 PCS	B	 Stool Leg	8 PCS
C	 Connecting Bar	4 PCS	N15	 M6*15mm Bolt	16 PCS
N30	 M6*30mm Bolt	16 PCS	F3	 Washer	32 PCS
E	 Stool Cushion	4 PCS	AK	 Allen Key	1 PC

Step by step assembly instructions

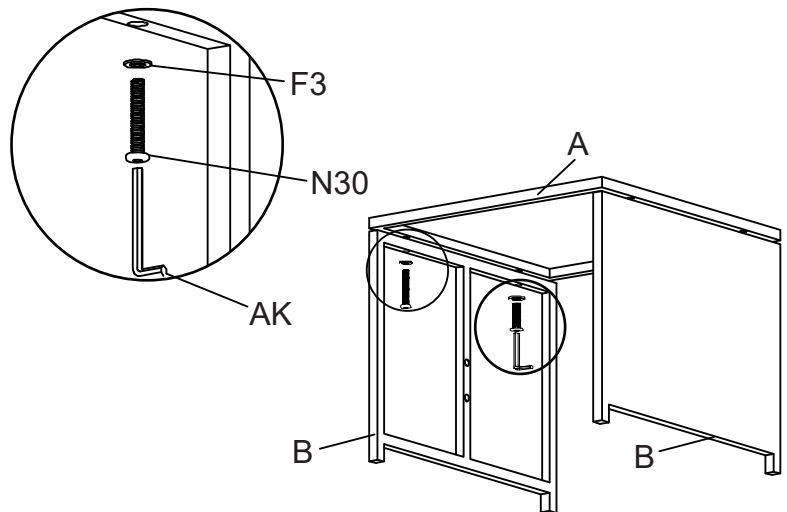
Step One

Attach the Stool Leg (B) to the Stool Seat Panel (A) using Washers (F3) and Bolts (N30).



Step Two

Repeat above steps for the assembly of another Stool Leg (B).

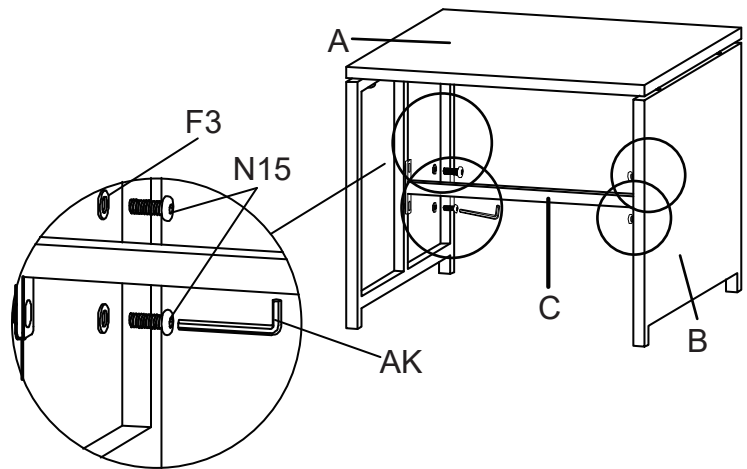


Step Three

Attach the Connecting Bar (C) to the Stool Legs (B) using Washers (F3) and Bolts (N15).

Once you are satisfied with the alignment of all components, carefully tighten all bolts using Allen Key (AK).

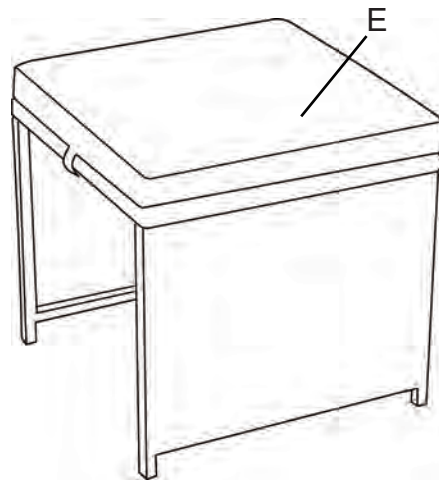
Then place the stool in upright position.



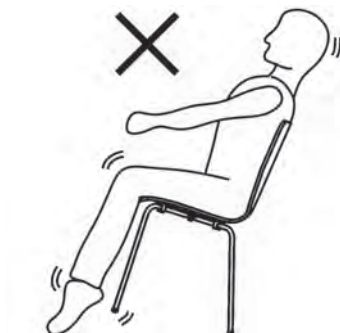
Step Four

Attach the Stool Cushion (E) to the Stool.

Your Stool is now ready for use.



Never tilt the Stool during use.
Ensure the product is always placed firmly on the ground.



PLEASE KEEP THESE INSTRUCTIONS FOR FUTURE REFERENCE