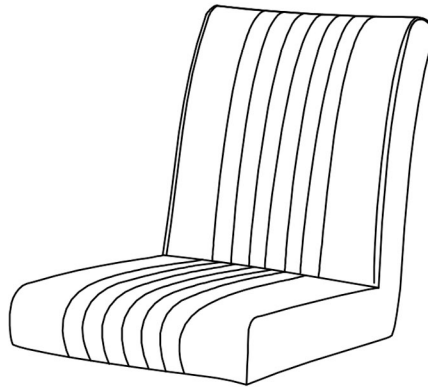
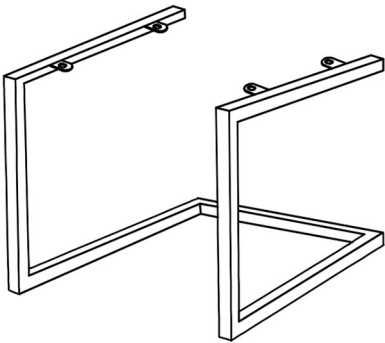


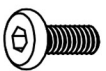
1

2



1	1x
2	1x

A



M6x20mm

4x

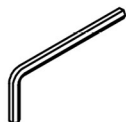
B



∅18x∅6x1.5mm

4x

C



4MM

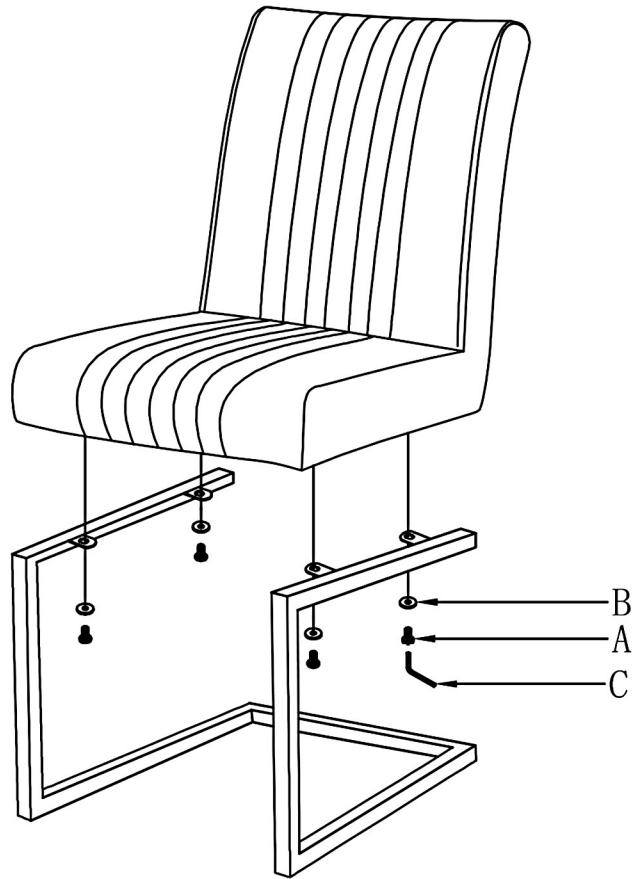
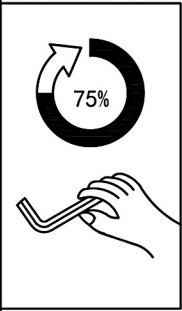
1x

D

E

F

1



2

