

Caring for your Bosworth Corner Sofa Bed

Do not discard any of the packaging until you have checked the product.

Outlined below are general care instructions that will help prolong the look and life of your sofa bed by preventing wear and damage.

PLEASE NOTE: The fabric on this product is flame retardant and therefore should be Specialist Upholstery cleaned only. This product is intended for occasional overnight use only.

CLEAN REGULARLY:

- ❖ Remove dust by pre-brushing with a soft brush
- ❖ Gently vacuum all areas

SUNLIGHT AND HEAT

- ❖ Direct sunlight or heat can cause fabrics to deteriorate or fade. Protect them by situating your furniture out of the way of prolonged direct sunlight or by drawing curtains and blinds when applicable.
- ❖ Avoid placing furniture too close to fires or radiators.
- ❖ Reduce potential damage by moving items around or changing position so that the same piece or area is not always exposed.

SAFETY WARNINGS


ENTRAPMENT WARNING: KEEP HANDS CLEAR WHEN ADJUSTING THE RATCHET MECHANISM TO AVOID FINGER ENTRAPMENT. DO NOT ALLOW CHILDREN TO ADJUST THE MECHANISM.


- ❖ Never allow children to jump on the sofa bed.
- ❖ Do not allow domestic pets to climb on the sofa bed or chew or claw it; oils and greases from animals will cause deterioration in the appearance of the fabric.
- ❖ Sharp objects such as buckles, toys and jewellery can easily snag on the fabric and produce tears and pulls in the fabric.
- ❖ Hot objects such as the heat from cups and mugs can permanently disfigure upholstery.

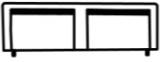



2 Person Assembly


Parts List


 #1 x 1pc
Loveseat


 #2 x 1pc
Chaise Seat


 #3 x 1pc
Loveseat Backrest

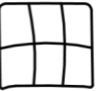
 #4 x 1pc
Chaise Backrest

 #5 x 2pcs
ARM (L & R)


 #6 x 2pcs
Back Cushion

 #7 x 2pcs
Leg A

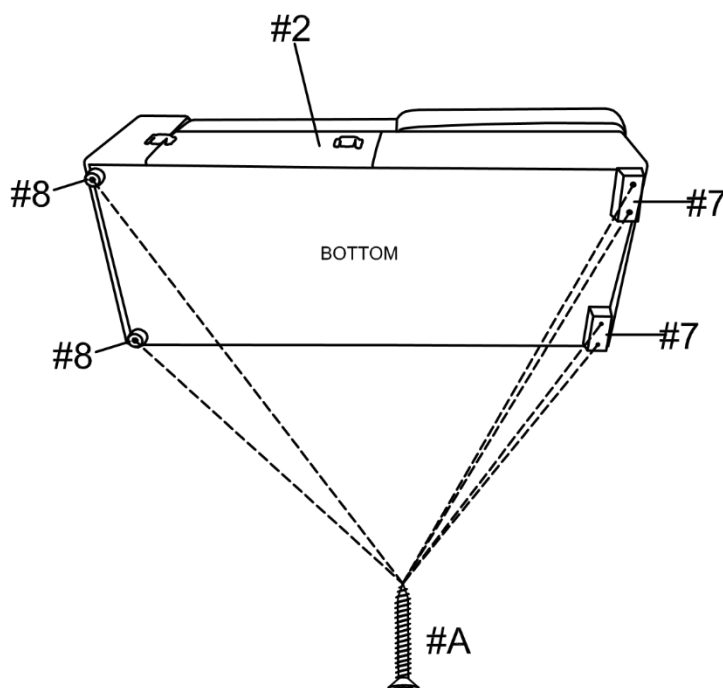
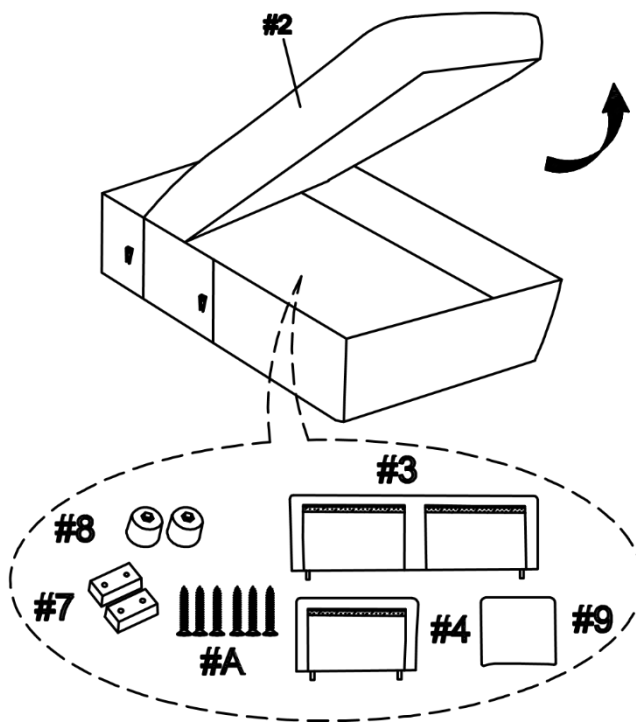
 #8 x 2pcs
Leg B

 #9 x 1pc
Chaise Back Cushion

Hardware List

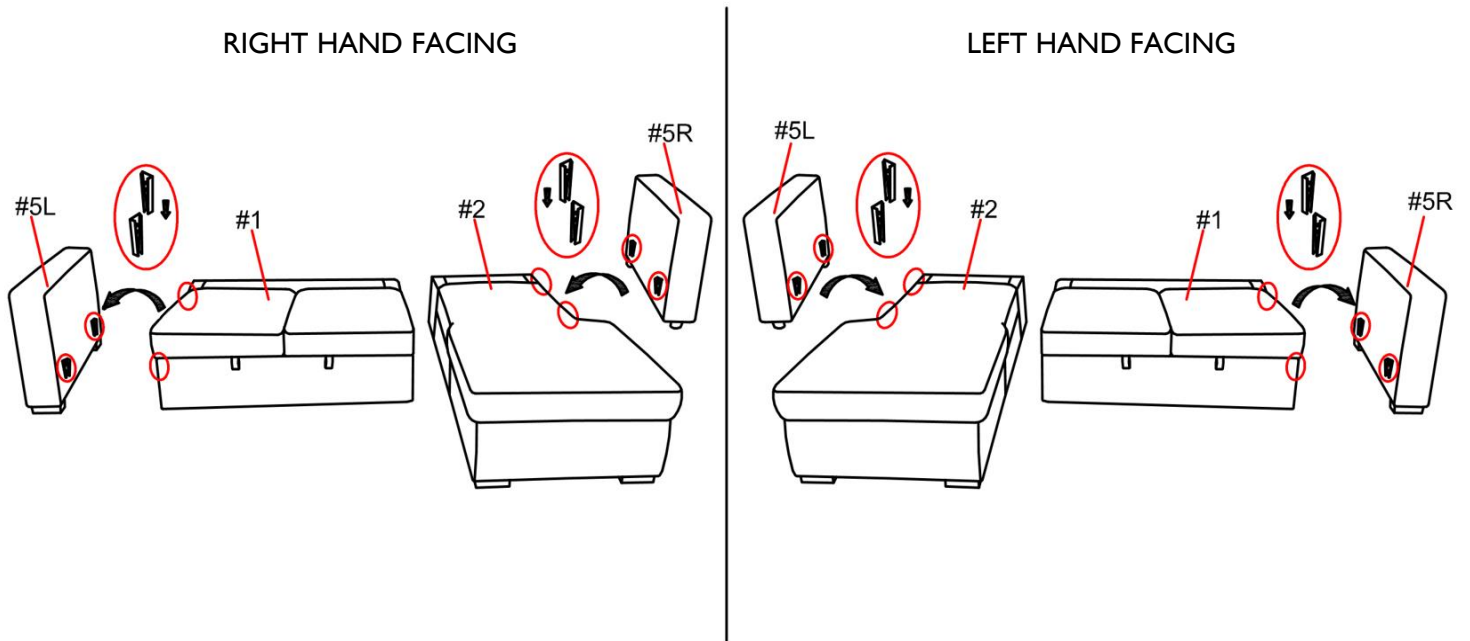
 #A x 6pcs
Screw

1) Unpack your sofa bed and check the items on the parts list are present – you will find certain pieces within the chaise section of your sofa bed.

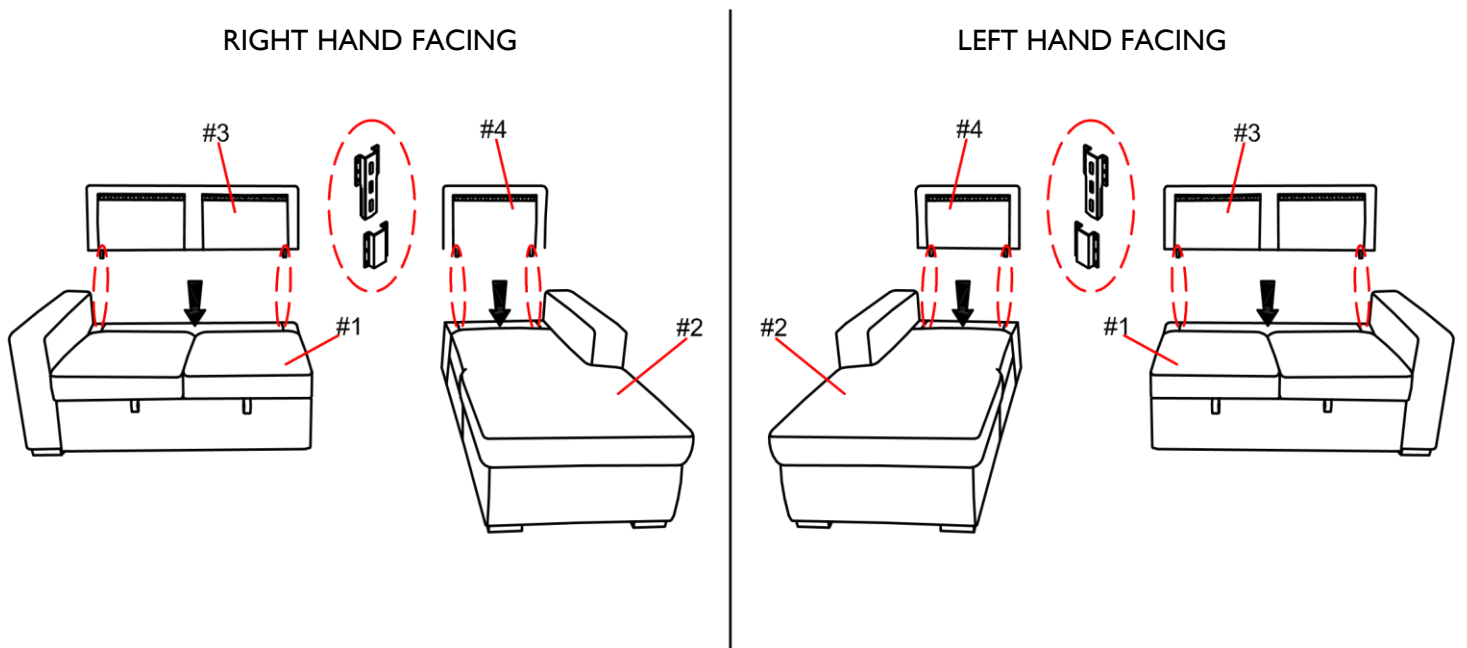


2) Attach feet #8 and #7 to the storage chaise section using screws #A provided, as shown in the diagram.

- 3) Once you have decided which side you would like to assemble your sofa bed, attach the arms by aligning the fixings with those on the sofa and chaise sections.
- To attach the sofa section and arm, lift the sofa section onto the arm fixings and push down firmly.
- To attach the chaise section and other arm, lift the arm onto the chaise section fixings and push down firmly.

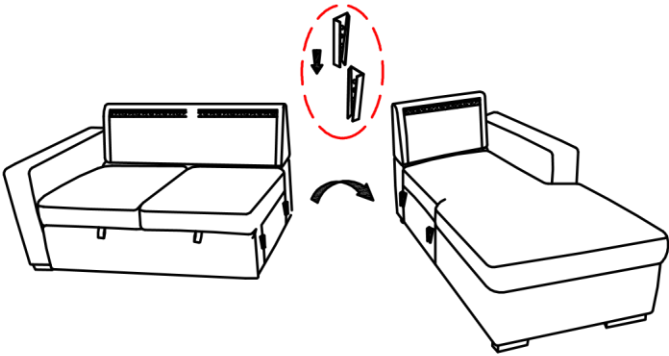


- 4) Align the fixings on the back pieces with co-ordinating sofa bed pieces and push down until fully connected.

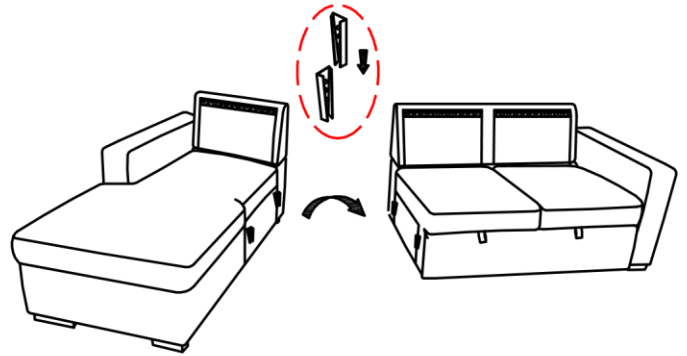


- 5) Depending on your chosen sofa bed facing, attach the sofa section to the chaise section as shown below. If Right Hand Facing, lift the sofa section on to chaise section fixings and push down firmly. If Left Hand Facing, lift the chaise section on to sofa section fixings and push down firmly.

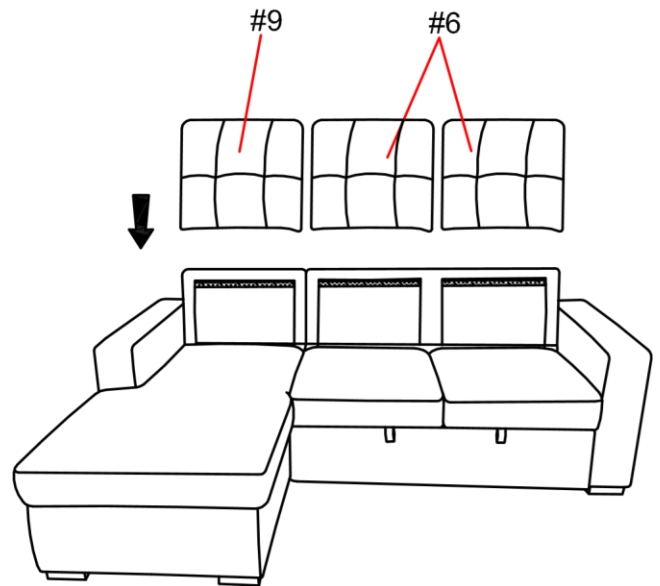
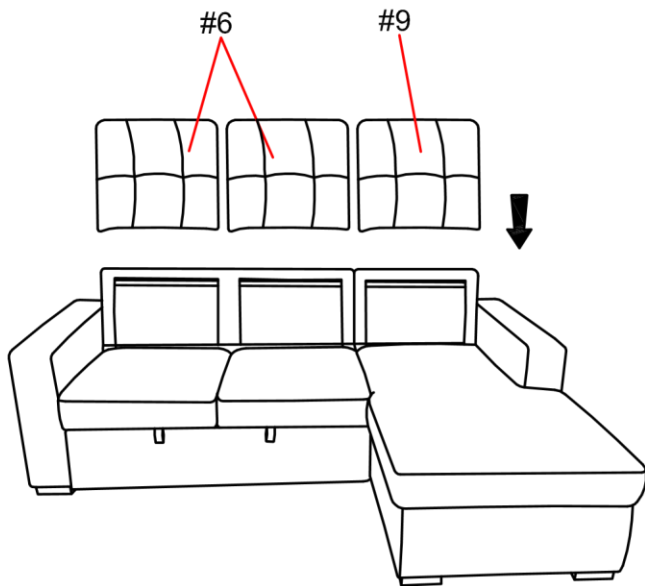
RIGHT HAND FACING



LEFT HAND FACING



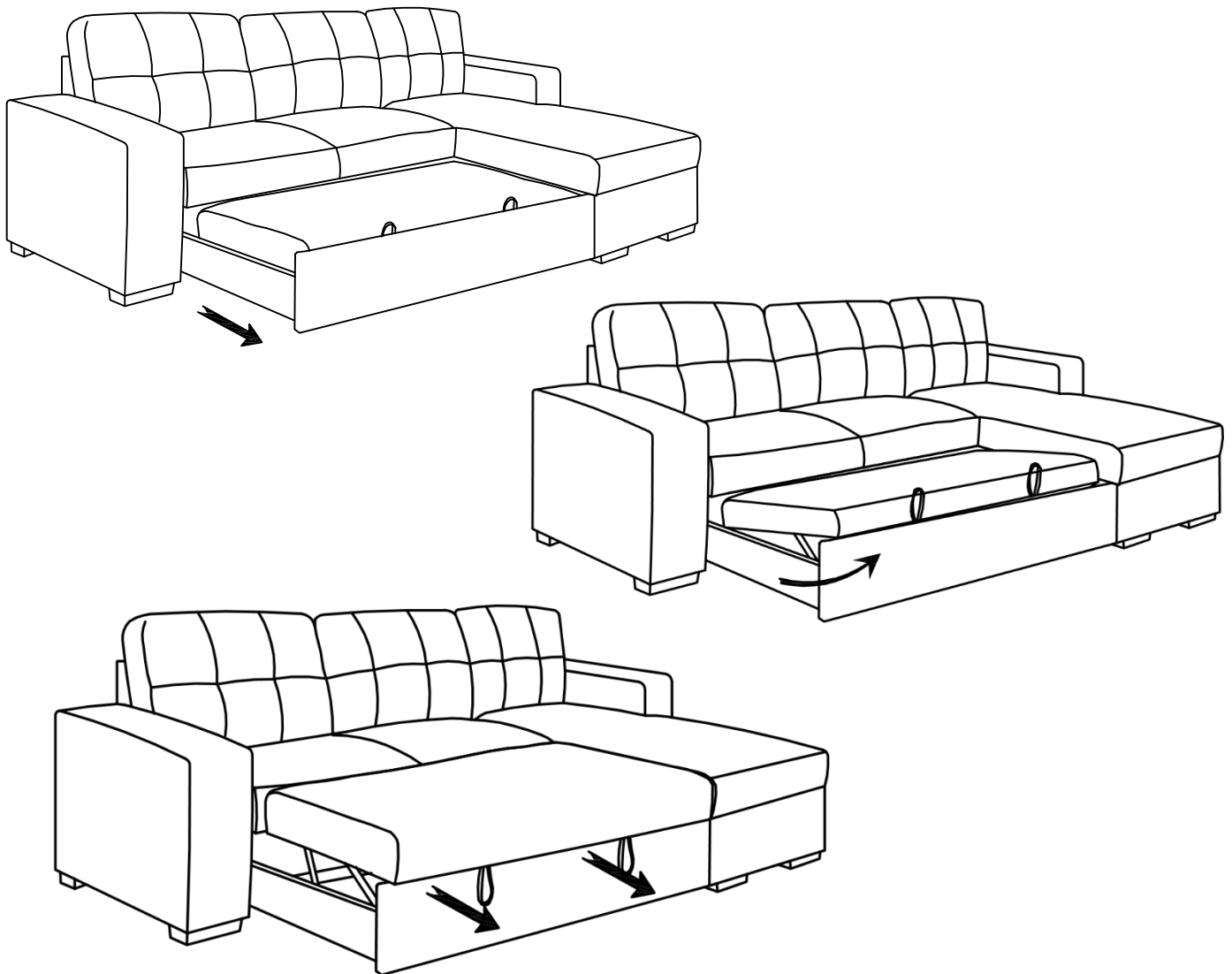
- 6) Lastly, place the back cushions on your sofa bed.



OPERATING INSTRUCTIONS

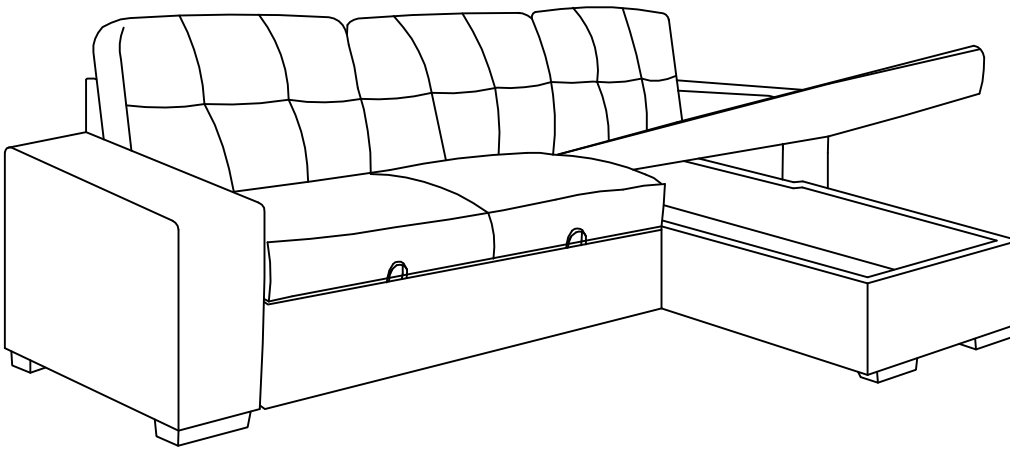
To operate the pop-up bed section of your sofa bed, grasp the strap and pull the drawer out carefully until it is fully extended. When the drawer is fully open, place one hand on top of the pop-up section and grasp the strap with the other hand. Pull upwards and then outwards on the strap, keeping the other hand on top of the pop-up section to ensure a smooth motion, until the pop-up section of the sofa bed is in place.

To collapse the pop-up section, grasp the strap firmly in one hand and place the other hand on top of the drawer. Pull the strap upwards and use the other hand to guide the pop-up section gently back into the drawer. Push the drawer back into the closed position.



WARNING: PULLING TOO HARD OR FAST ON THE STRAP MAY CAUSE DAMAGE TO THE MECHANISM. TAKE CARE NOT TO TRAP FINGERS OR HANDS DURING THE OPERATING OF THIS PRODUCT. DO NOT ALLOW CHILDREN TO PLAY WITH OR RETRACT THE MECHANISM.

To operate the storage section of the sofa bed, grasp the strap firmly with one hand and place the other hand on top of the chaise seat cushion. Pull the strap firmly upwards, keeping the other hand in place to ensure a smooth motion.



To close the storage section, grasp the strap firmly in one hand and place the other on top of the chaise section. Pull down gently on the strap, using the other hand to push down on the chaise and close the storage section.

WARNING: PULLING TOO HARD OR FAST ON THE STRAP MAY CAUSE DAMAGE TO THE MECHANISM. TAKE CARE NOT TO TRAP FINGERS OR HANDS DURING THE OPERATING OF THIS PRODUCT. DO NOT ALLOW CHILDREN TO PLAY WITH OR RETRACT THE MECHANISM.

FABRIC CONTENT:

MAIN FABRIC: 100% POLYESTER

OTHER FABRIC: NON-WOVEN 100% POLYESTER