

KOBLE

www.koblesigns.com

Avalanche Gaming Chair



Thank you for purchasing the Gaming Chair. In order to make the best use of this product and to use it safely, please read the manual carefully before use and keep it for future reference.

STOCK Ref.: Grey (Mesh) - DGCAVAG / Black (Mesh) - DGCAVAB
Imported By: Koble Designs (Justwise Group Ltd). CB11 3AP.



APPROXIMATE 1 HOUR
ASSEMBLY TIME



Safety and Care Advice

Important – Please read these instructions fully before starting assembly

Check you have all the components and tools listed on pages 2, 3 and 4.

Remove all fittings from the plastic bags and separate them into their groups.

Keep children and animals away from the work area, small parts could choke if swallowed.

Make sure you have enough space to layout the parts before starting.

Assemble the item as close to its final position (in the same room) as possible.

Assemble on a soft level surface to avoid damaging the unit or your floor.

Assembly requires 2 people.

Do not fully tighten bolts until the whole bed is assembled. Do not overtighten the nuts to avoid causing damage to the threads.



We do not recommend the use of power drill/drivers **for inserting screws,**

as this could damage the unit. Only use hand screwdrivers and Allen keys.

Dispose of all packaging carefully and responsibly.

Cleaning Guidance

Minor stains and spillages should be removed immediately from cushion fabric, by wiping over lightly with a damp cloth and mild soapy water.

Light marking can also be removed using this method.

To remove more stubborn stains or marking, a good quality proprietary domestic fabric cleaner can be used, although it should first be tested on an inconspicuous area of the fabric.

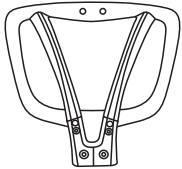

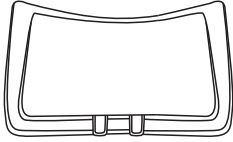
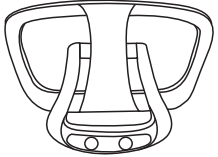
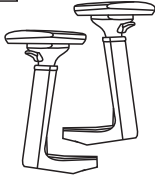

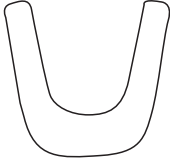

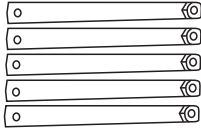
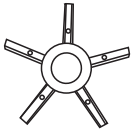

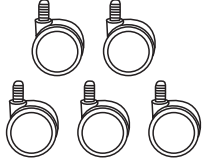
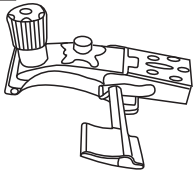
Care and maintenance

From time to time check that there are no loose screws on this unit.

This product should not be discarded with household waste. Take to your local authority waste disposal centre.

Components-Parts

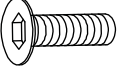
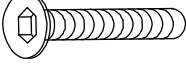
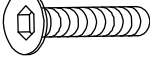
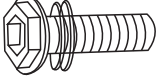
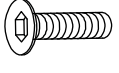
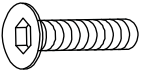
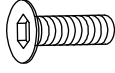
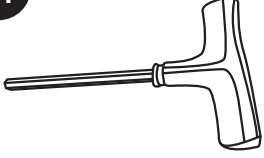
Please check you have all the parts listed below

<p>1</p>  <p>Backrest (Middle) QTY 1</p>	<p>2</p>  <p>Backrest Bracket QTY 1</p>	<p>3</p>  <p>Backrest (Lower) QTY 1</p>	<p>4</p>  <p>Headrest QTY 1</p>
<p>5</p>  <p>Arms QTY 1 Pair</p>	<p>6</p>  <p>Seat QTY 1</p>	<p>7</p>  <p>Cover (Lower) QTY 1</p>	<p>8</p>  <p>Cover (Upper) QTY 1</p>
<p>9</p>  <p>Feet QTY 5</p>	<p>10</p>  <p>Base QTY 1</p>	<p>11</p>  <p>Piston QTY 1</p>	<p>12</p>  <p>Castors QTY 5</p>
<p>13</p>  <p>Seat Base QTY 1</p>			

For missing or damaged parts, call our Customer Helpline: 01799 513466 or email help@koble.com

Fittings

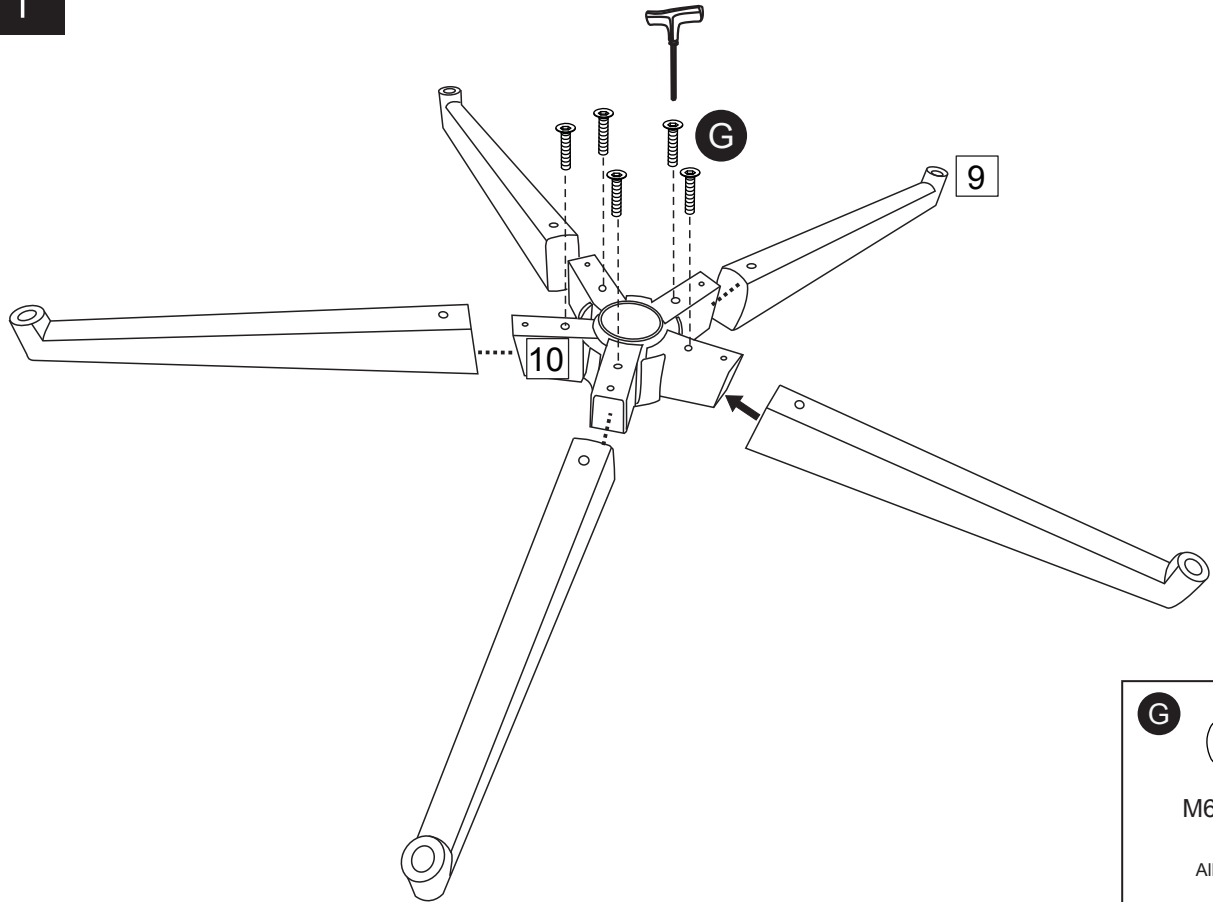
Please check you have all the parts listed below

<p>A</p>  <p>M6X14mm Allen Screw QTY 8</p>	<p>B</p>  <p>M6X30mm Allen Screw QTY 2</p>	<p>C</p>  <p>M6X22mm Allen Screw QTY 4</p>	<p>D</p>  <p>M8X25mm Bolt QTY3</p>
<p>E</p>  <p>M6X12mm Allen Screw QTY 2</p>	<p>F</p>  <p>M6X18mm Allen Screw QTY 2</p>	<p>G</p>  <p>M6X16mm Allen Screw QTY 5</p>	<p>H</p>  <p>Allen Key QTY1</p>

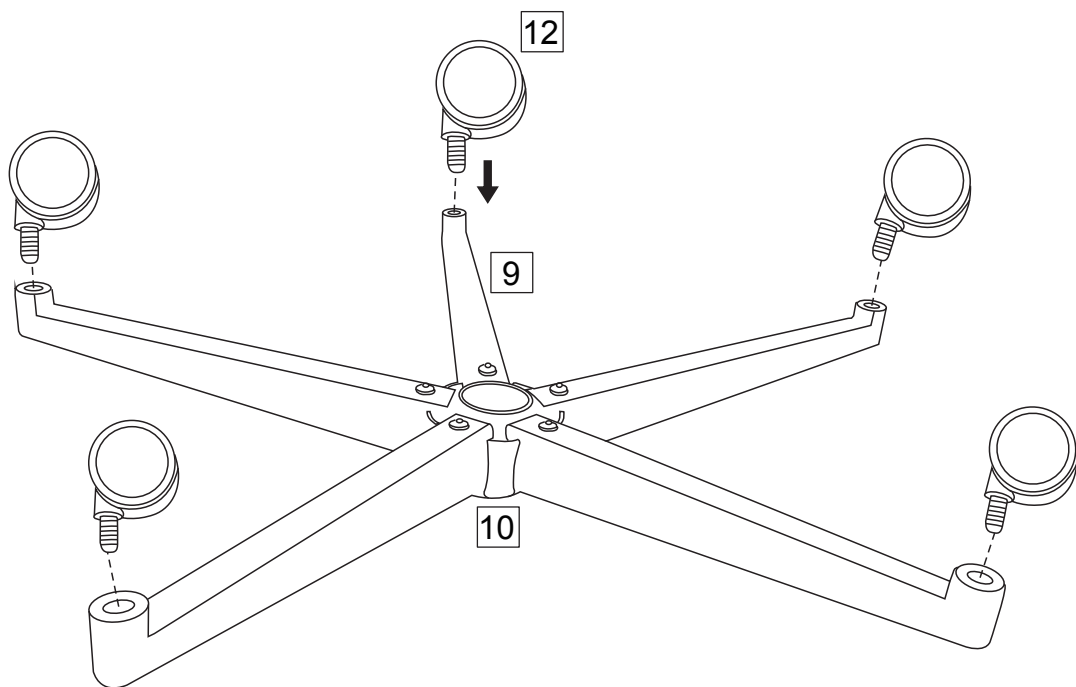
For missing or damaged parts, call our Customer Helpline: 01799 513466 or email help@koble designs.com

Assembly Steps

Step 1



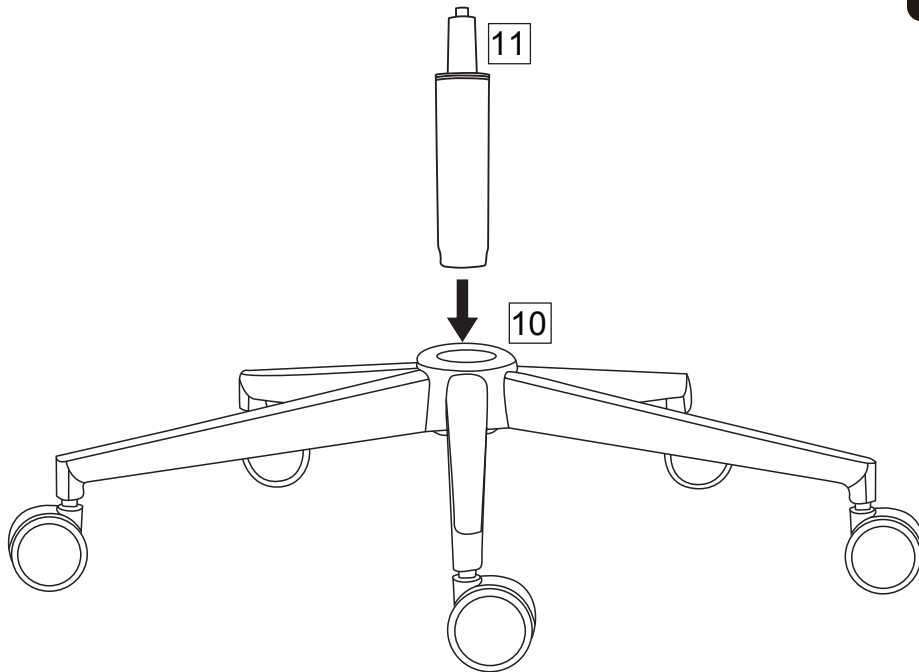
Step 2



Shown Upside Down

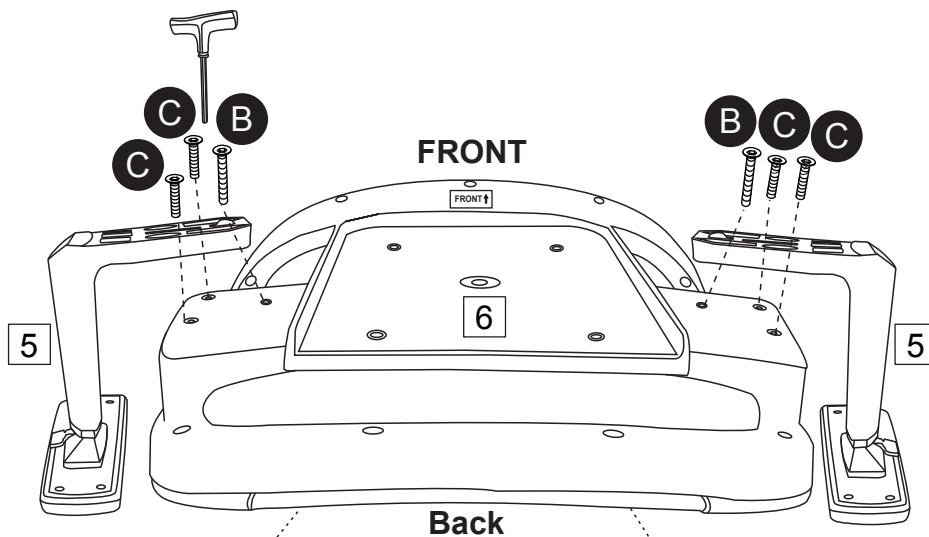
Assembly Steps

Step 3




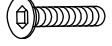
Push piston **11** firmly into base **10**

Step 4



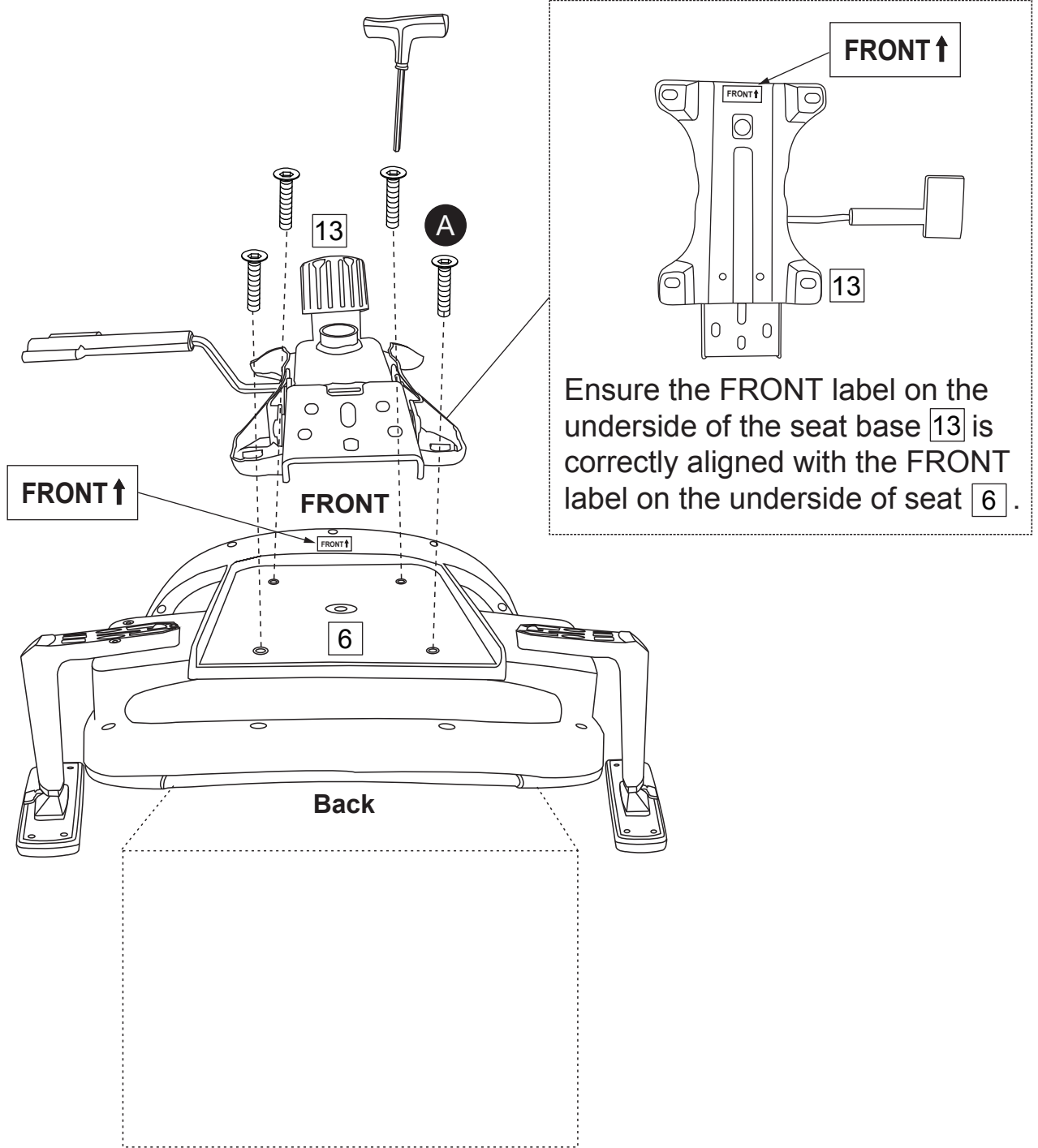
Shown Upside Down

5

B  M6X30mm Allen Screw QTY 2	C  M6X22mm Allen Screw QTY 4
--	--

Assembly Steps

Step 5



Ensure the FRONT label on the underside of the seat base 13 is correctly aligned with the FRONT label on the underside of seat 6 .

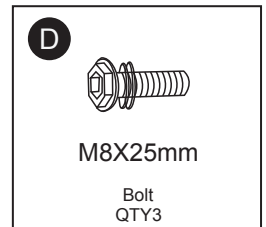
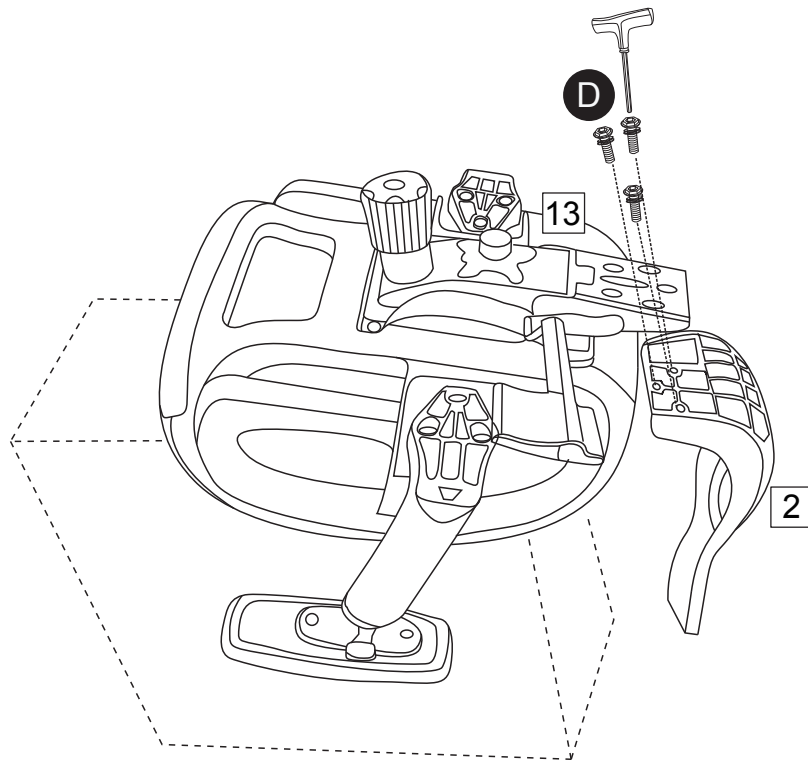
Shown Upside Down

A

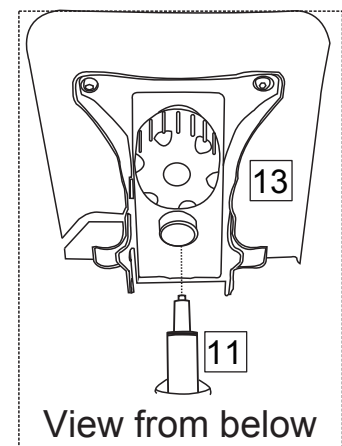
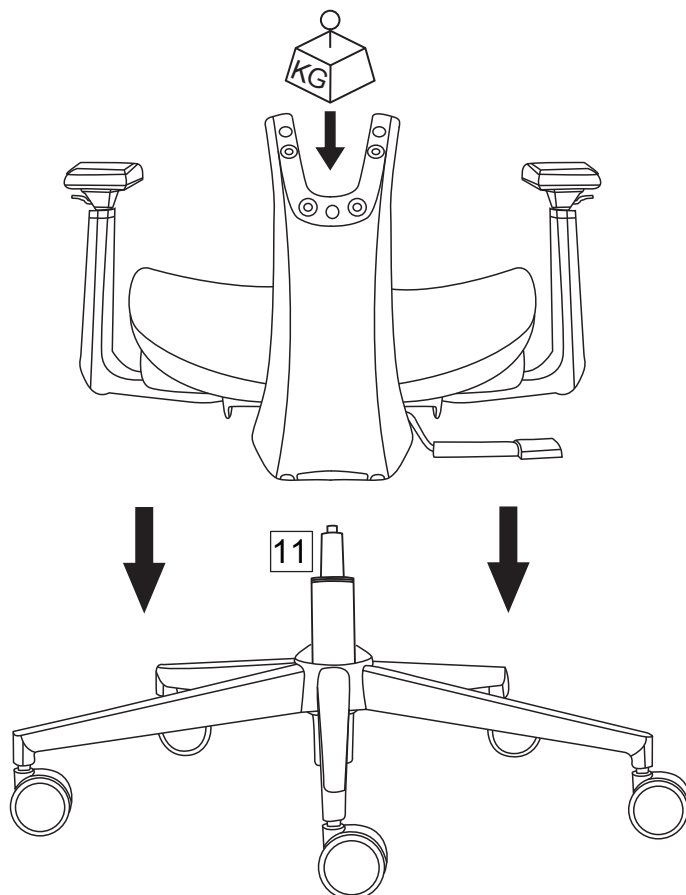
M6X14mm
Allen Screw
QTY 4

Assembly Steps

Step 6



Step 7

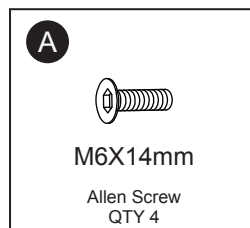
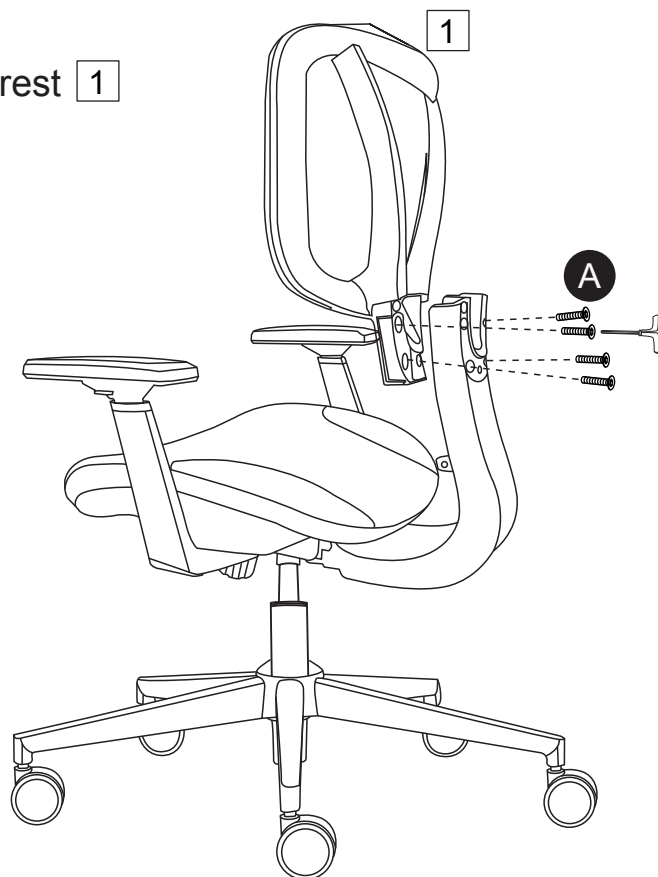


Carefully align hole in seat base **13** over piston **11**.
Push firmly down.

Assembly Steps

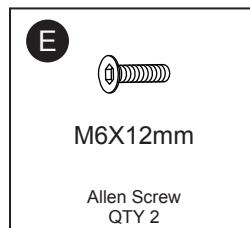
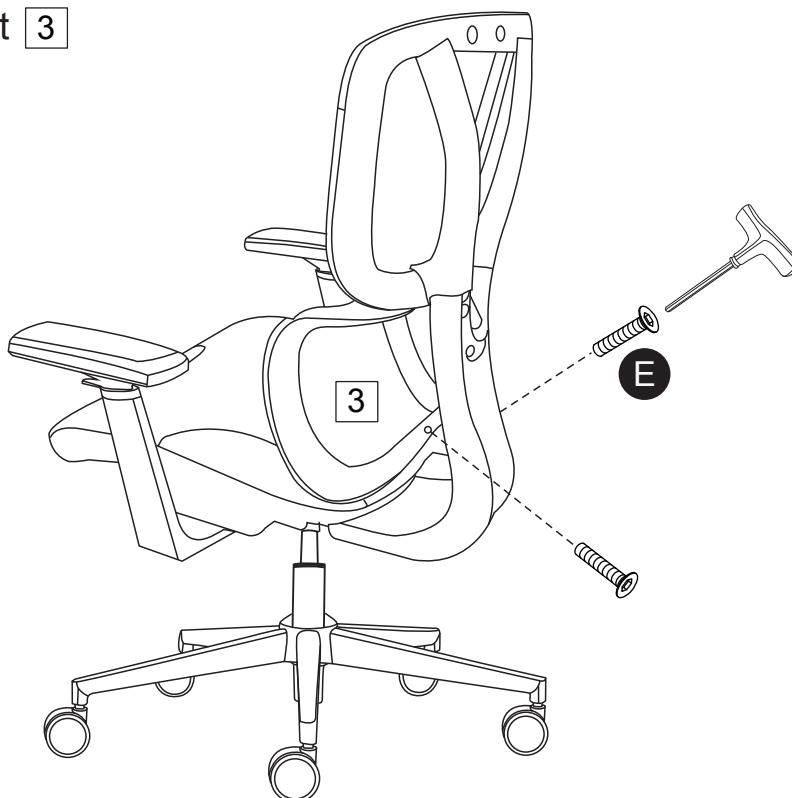
Step 8

Assemble middle back rest **1**



Step 9

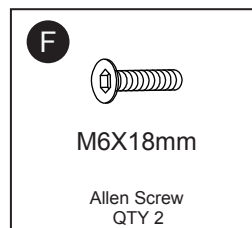
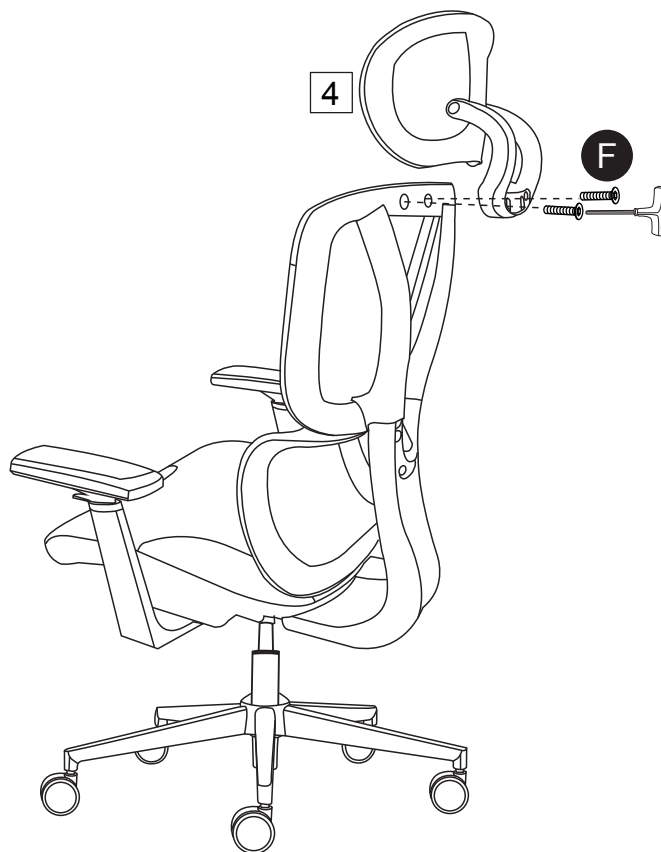
Assemble lower back rest **3**



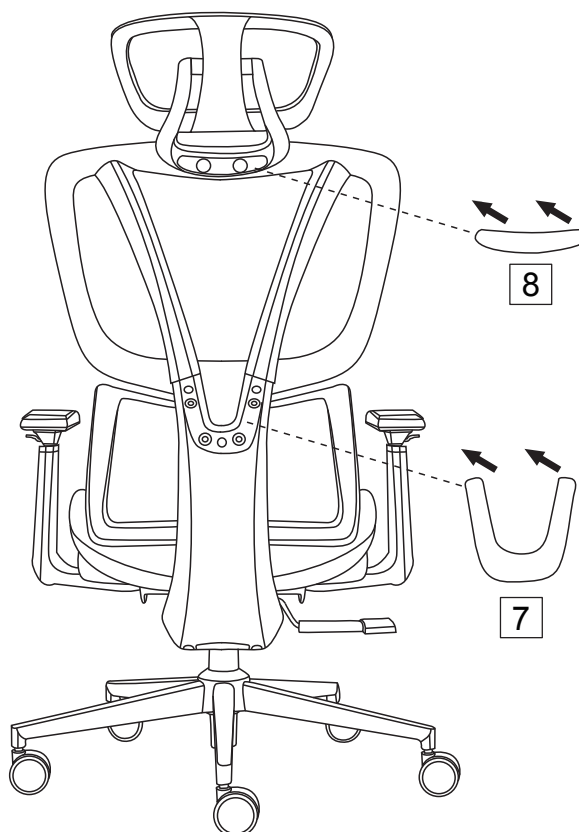
Assembly Steps

Step 10

Assemble head rest **4**



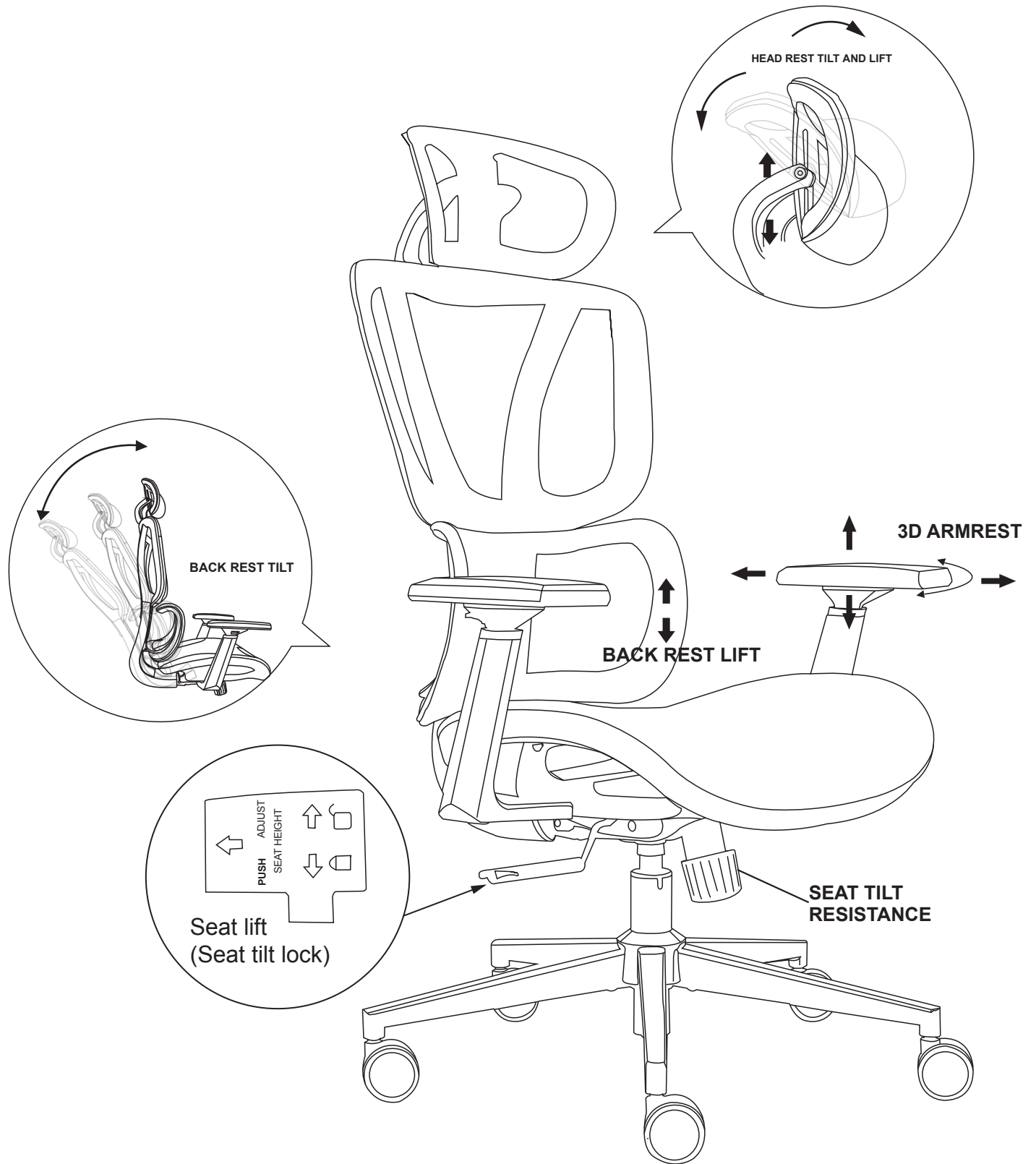
Step 11



Use covers **7** and **8** to cover fixings.

Assembly Steps

Step 12



After Sales Support / Product Returns

Purchased from kobledesigns.com

In the unlikely event that you need to return the unit because it is faulty, please follow the replacements or faulty items instructions at www.kobledesigns.com website.

Should you need to request replacement parts, please contact our after sales support team at:-

Email - CS@kobledesigns.com

Tel: + 44 (0)1799 513 466

Address: Koble Designs, 6 The Shires, Shirehill industrial Estate, Saffron Walden, Essex, CB11 3AP

Purchased from other retailer

If you purchased your product from one of our retail partners, please refer back to the retailer directly, for any customer services related issues, refunds or returns requests.

Koble designs may still be able to offer support with technical related queries.