

## **CARING FOR YOUR KY093 SOFA BED**

**Do not discard any of the packaging until you have checked the product.**

Outlined below are general care instructions that will help prolong the look and life of your sofa bed by preventing wear and damage.

**PLEASE NOTE: The fabric on this product is flame retardant treated and therefore should be Specialist Upholstery cleaned only.**

**This product is designed For occasional overnight use only.**

### **CLEAN REGULARLY:**

- ✦ Remove dust by pre-brushing with a soft brush
- ✦ Gently vacuum all areas

### **SUNLIGHT AND HEAT**

- ✦ Direct sunlight or heat can cause fabrics to deteriorate or fade. Protect them by situating your furniture out of the way of prolonged direct sunlight or by drawing curtains and blinds when applicable.
- ✦ Avoid placing furniture too close to fires or radiators.
- ✦ Reduce potential damage by moving items around or changing position so that the same piece or area is not always exposed.

### **SAFETY WARNINGS**

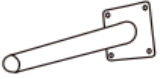
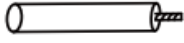


**ENTRAPMENT WARNINGS: KEEP HANDS CLEAR WHEN ADJUSTING THE RATCHET MECHANISM TO AVOID FINGER ENTRAPMENT. DO NOT ALLOW CHILDREN TO ADJUST THE MECHANISM**

- ✦ Never allow children to jump on the Sofa Bed.
- ✦ Do not allow domestic pets to climb on the sofa bed or chew or claw it; oils and greases from animals will cause deterioration in the appearance of the fabric.
- ✦ Sharp objects such as buckles, toys and jewellery can easily snag on the fabric and produce tears and pulls in the fabric.
- ✦ Hot objects such as the heat from cups and mugs can permanently disfigure upholstery.

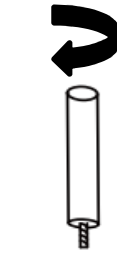


# INSTRUCTIONS FOR FIXING LEGS TO KY093 SOFA BED

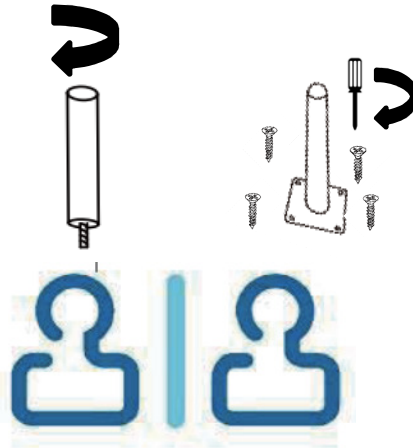
## Parts List:

- |                 |   |      |
|-----------------|---|------|
| A) Leg          |  | X 4  |
| B) Leg          |  | X 1  |
| C) Screws 25mm  |  | X 16 |
| D) Screw Driver |  | X 1  |

## Diagram (1)



## Diagram (2)

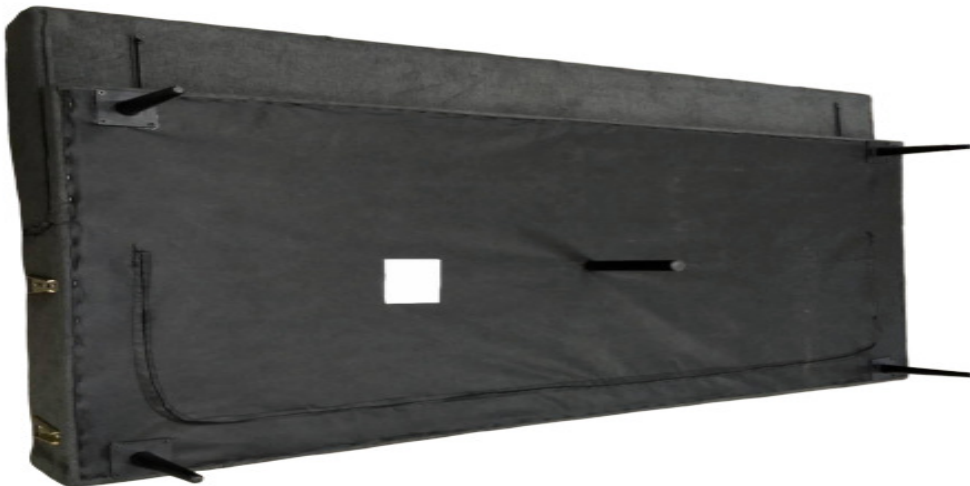


## 2 Person Assembly

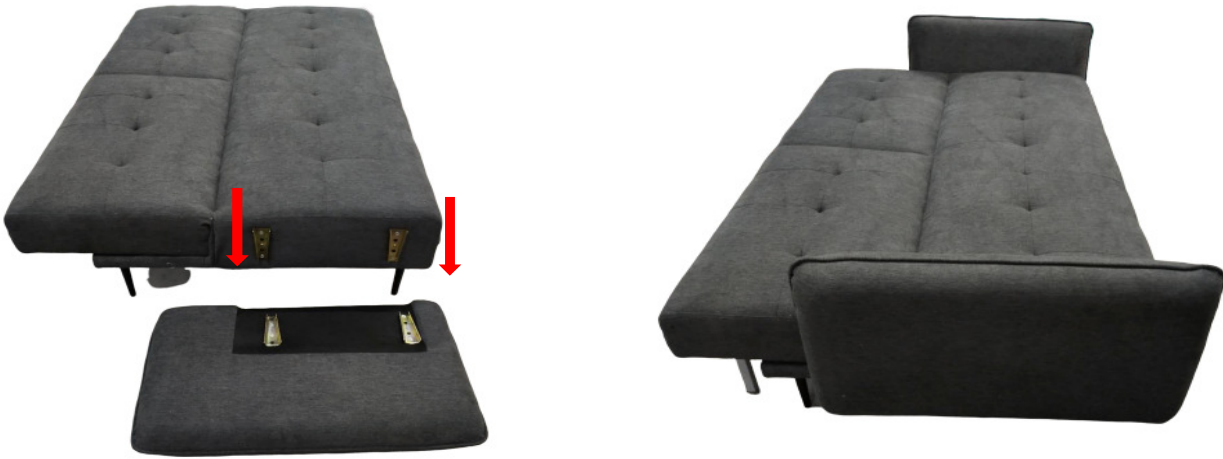
1 Unpack Sofa Bed and check the above items are present.



2 Please place the sofa bed on a clean flat surface and attach the leg by following the (1) and (2) diagram above.



3 Put left arm and right arm as below pictures show.



4) Convert from sofa position to bed position as below pictures show.



5) Convert from bed position to chaise position as below pictures show.



**FROM SOFA TO BED:** Hold the back of the sofa and tilt forward towards seat until click is heard;  
now tilt back into the bed position.

**FROM BED TO SOFA:** Lift the back until 1 click is heard for recliner position space,2 clicks  
for upright sofa position.

**FABRIC CONTENT:** MAIN FABRIC 100% POLYESTER

**OTHER FABRIC(VISIBLE):** NON-WOVEN FABRIC 100% POLYESTER