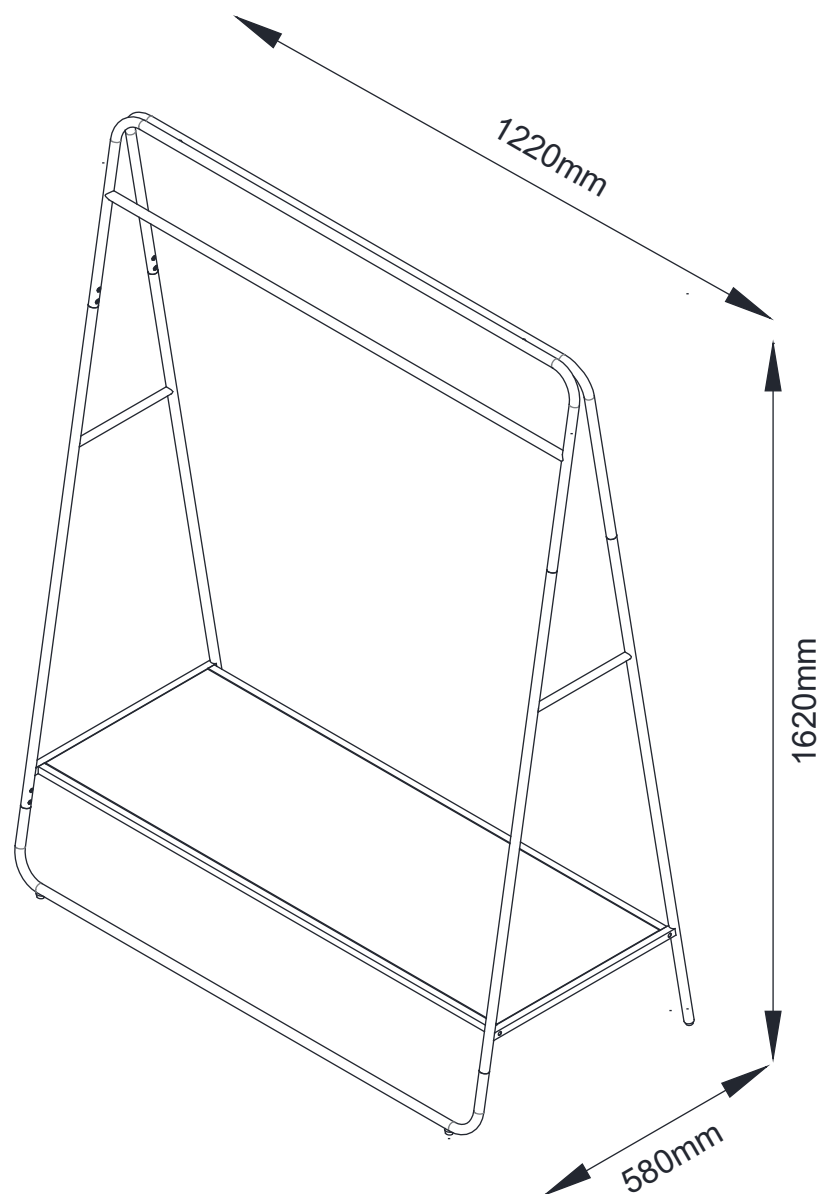


Assembly Instructions

Alden Clothes Rail

520594



Keep these instructions for future reference

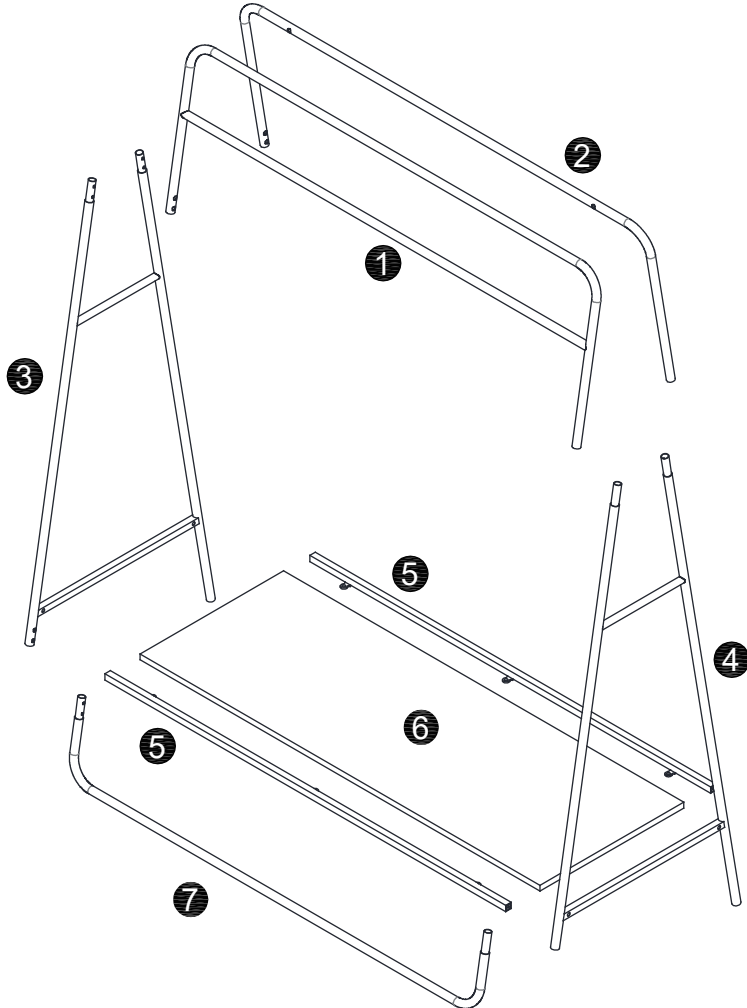
Assemble the furniture on a soft level surface to avoid damaging the furniture or your floor.

We recommend furniture be assembled near where they will be placed, to avoid moving the product unnecessarily once assembled.







If there is a need to move the furniture, please remove all loose items and have extra hands to help lift the furniture to the desired location. Dragging the furniture will damage both the furniture and the floor.

Regularly check and re-tighten (if necessary) all bolts on furniture that you have assembled yourself.

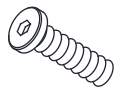
PARTS LIST



HARDWARE LIST

<p>Ax12</p>  <p>M6x10mm</p>	<p>Bx6</p>  <p>M6x30mm</p>	<p>Cx6</p>  <p>M6x15mm</p>	<p>Dx6</p> 
<p>Ex4</p> 	<p>Fx1</p>  <p>4mm</p>		

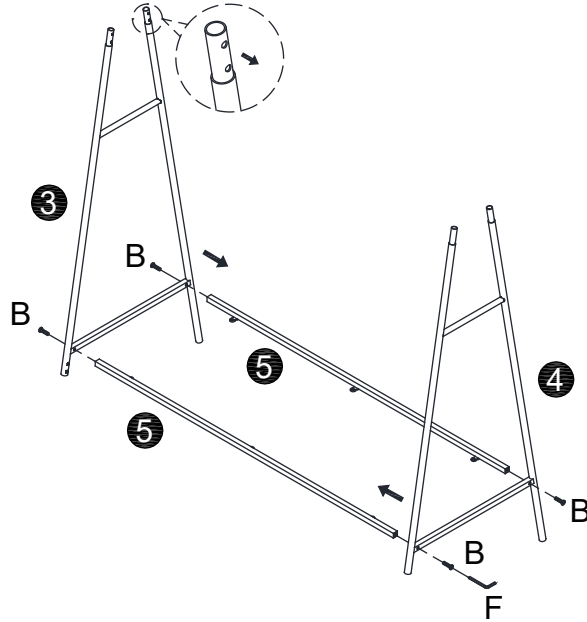
1



Bx4
M6x30mm



Fx1



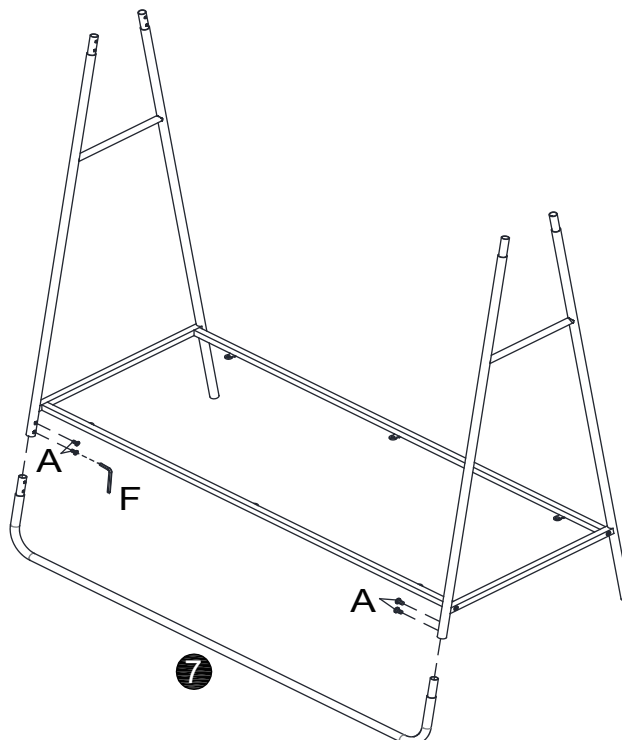
2



Ax4
M6x10mm



Fx1



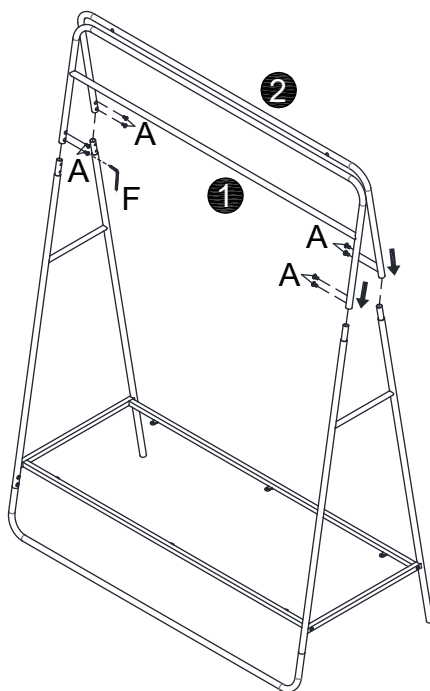
3



Ax8
M6x10mm



Fx1



4



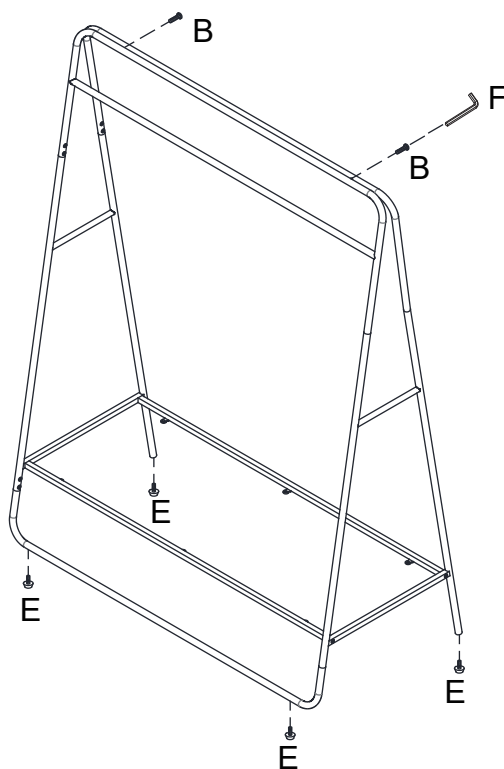
Bx2
M6x30mm



Ex4



Fx1



5



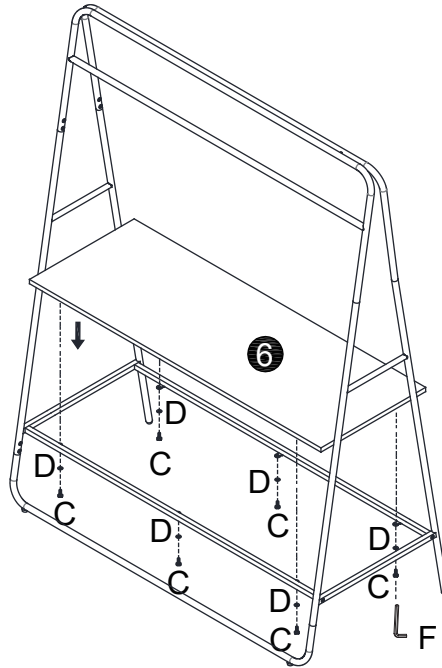
Cx6
M6x15mm



Dx6



Fx1



6

