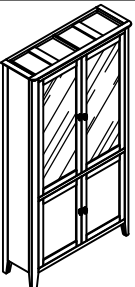
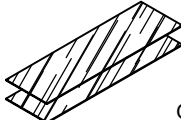






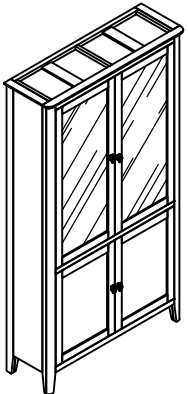
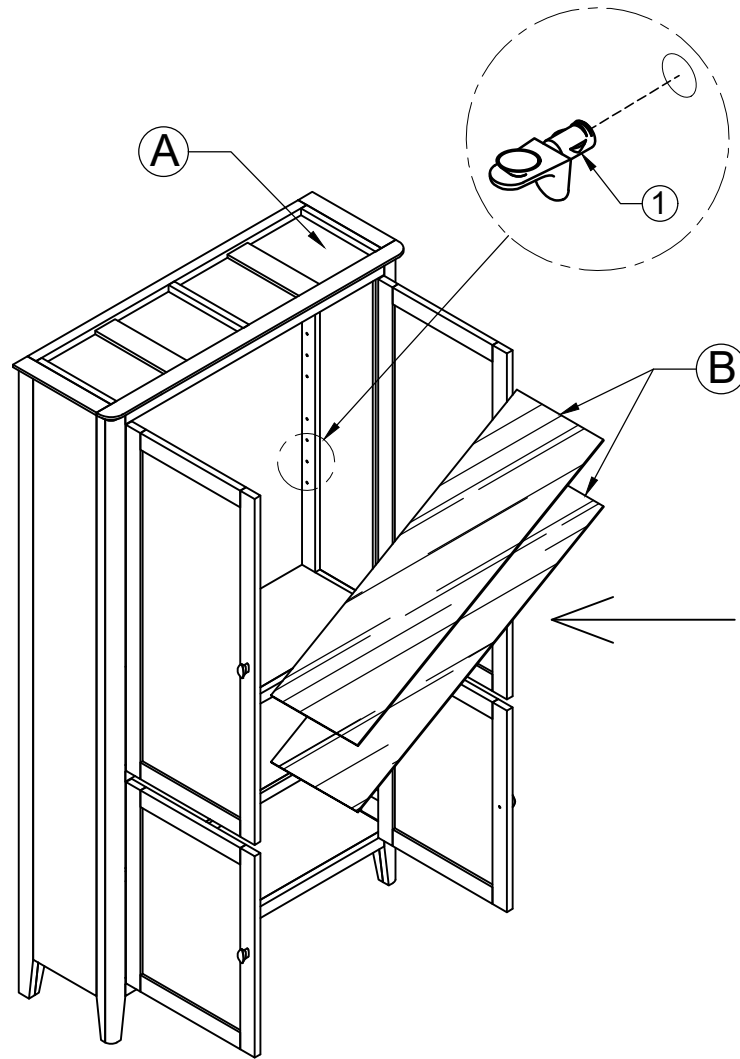


ASSEMBLY INSTRUCTION G4558 - DISPLAY CABINET

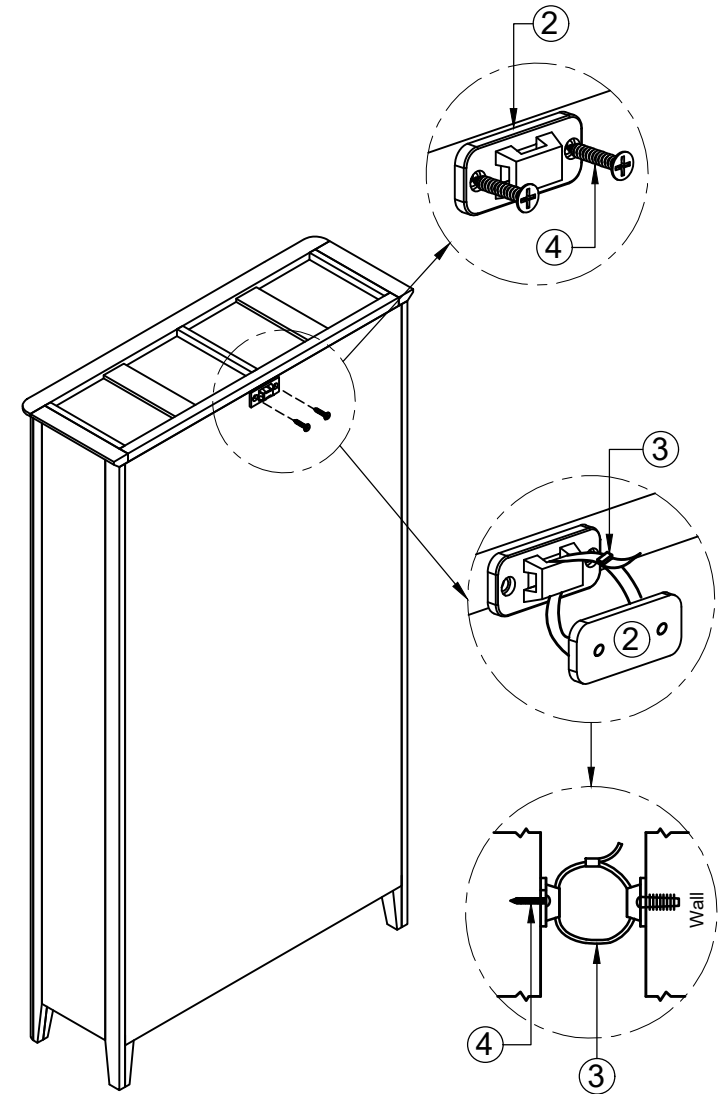
No	Name of Component	Q.ty
(A)		1
(B)	 Glass Shelves	2
No	Name of Hardware	Q.ty
(1)	 Shelf support	8
(2)	 Bracket	2
(3)	 Tie	1
(4)	 Screw Ø4 x 20	2
(5)	 Screw Ø3 x 15	2
(6)	 Adapter for Light	1



STEP 1

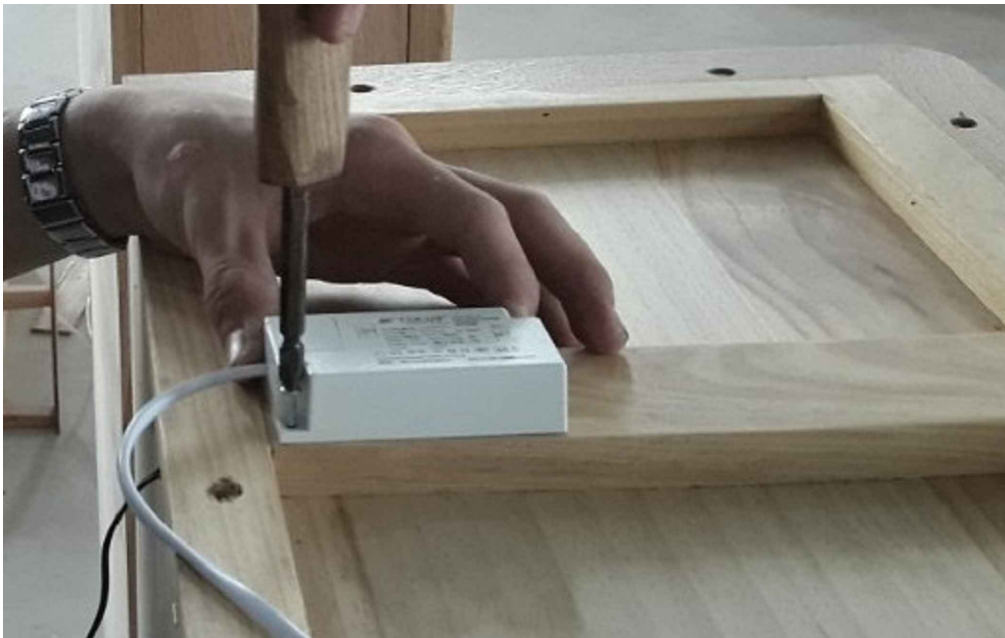


STEP 2

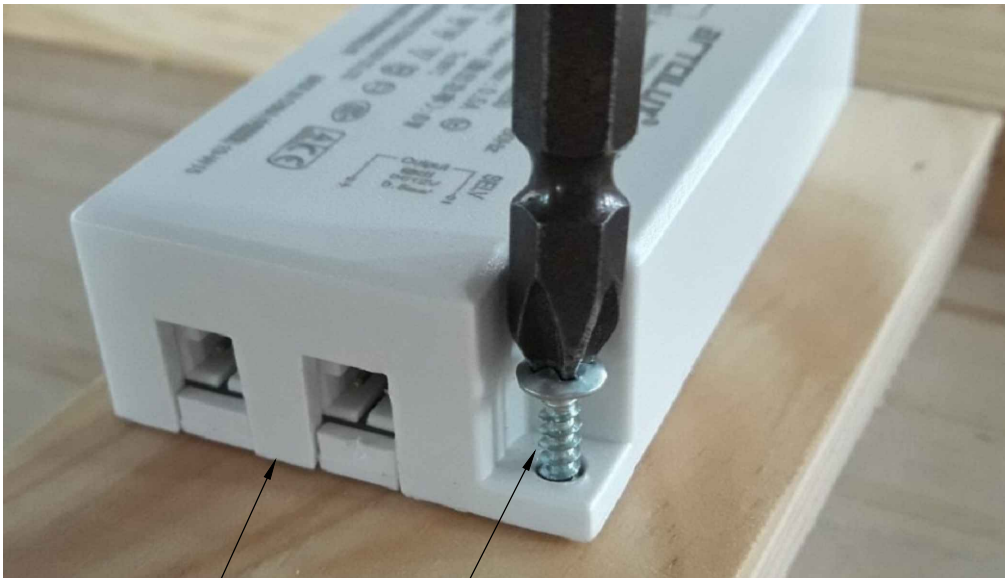


ASSEMBLY INSTRUCTION G4558 - DISPLAY CABINET

STEP 3



STEP 4



⑥

⑤

