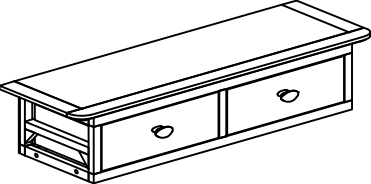

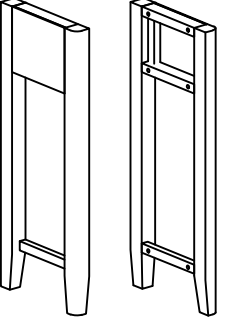
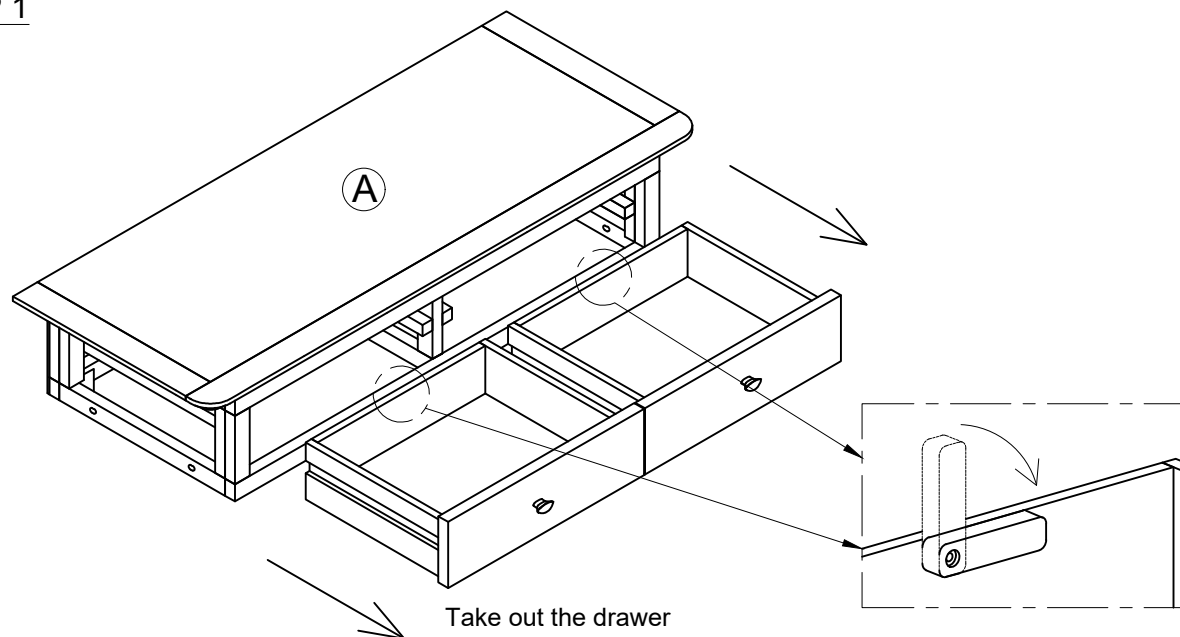








ASSEMBLY INSTRUCTION CONSOLE TABLE

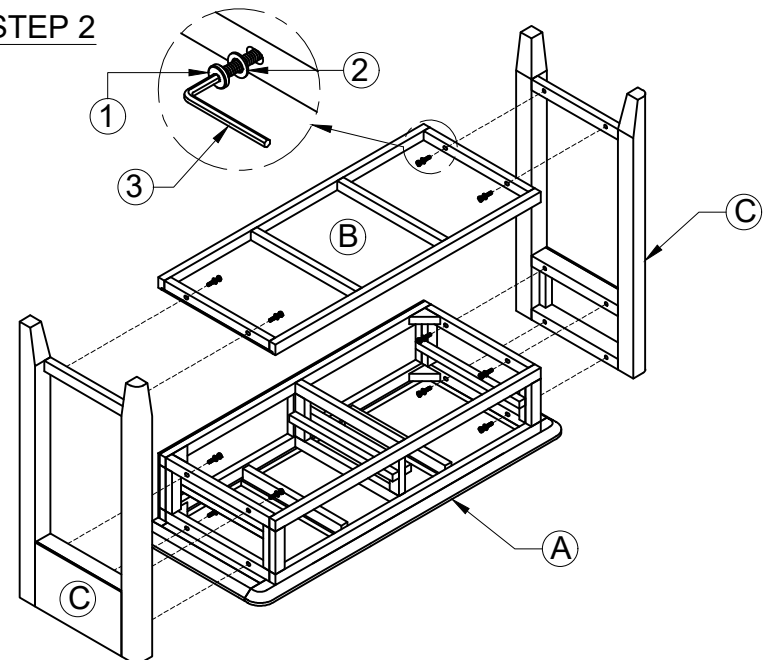
No	Name of Component	Q.ty
(A)		1
(B)		1
(C)		2

STEP 1

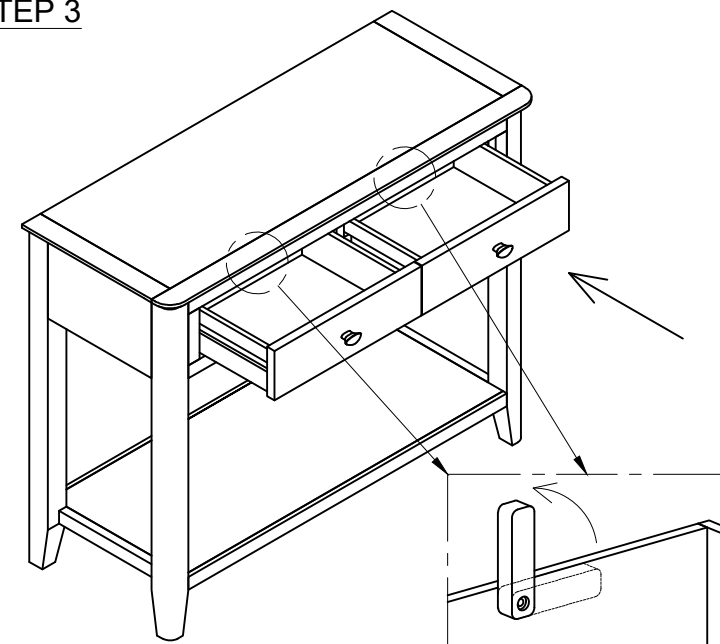


No	Name of Hardware	Q.ty
(1)	Bolt M6 x 35 	12
(2)	Washer Ø7/Ø15 x 1 	12
(3)	Allen key K4 	1
(4)	Bracket 	2
(5)	Tie 	1
(6)	Screw Ø4 x 20 	2

STEP 2



STEP 3



ASSEMBLY INSTRUCTION CONSOLE TABLE

STEP 5

FINAL

