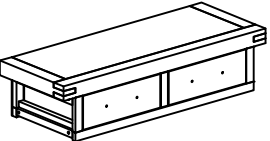
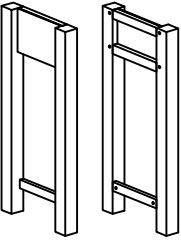

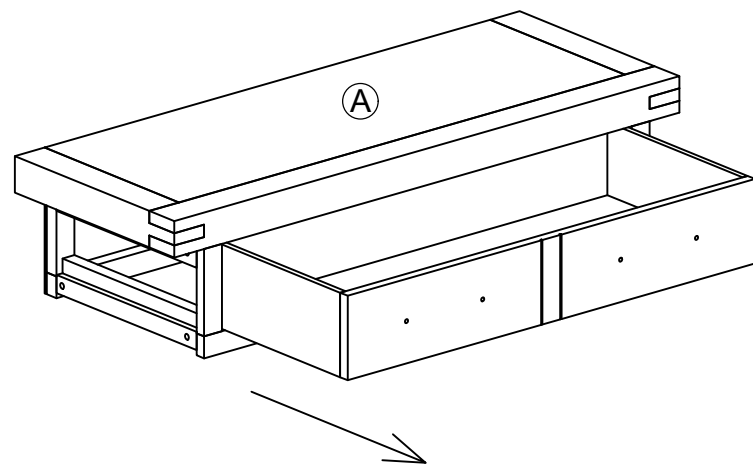


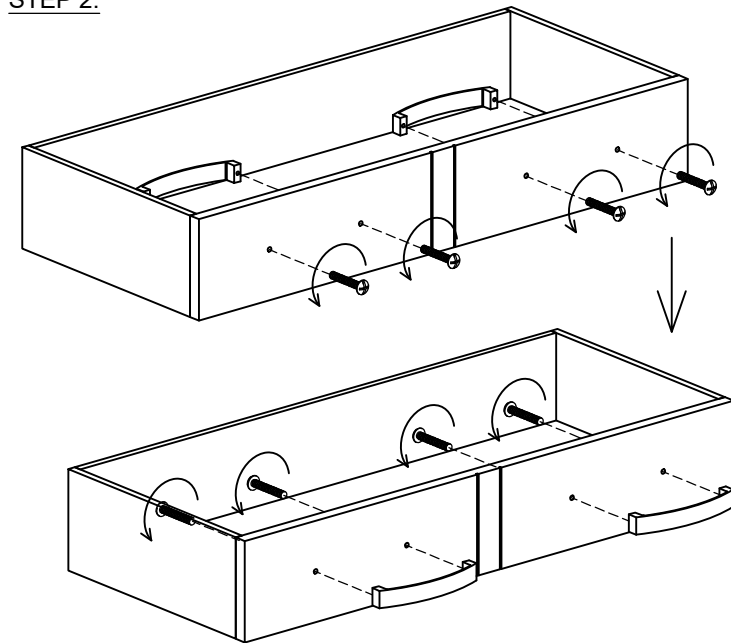
ASSEMBLY INSTRUCTION CONSOLE TABLE




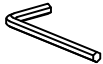



No	Name of Component	Q.ty
(A)		1
(B)		2
(C)		1

STEP 1: Take out the drawer

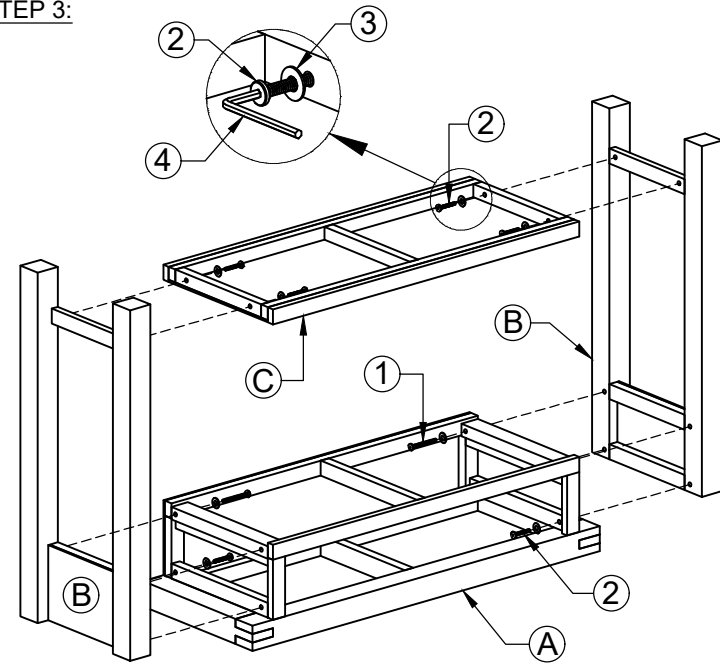


STEP 2:

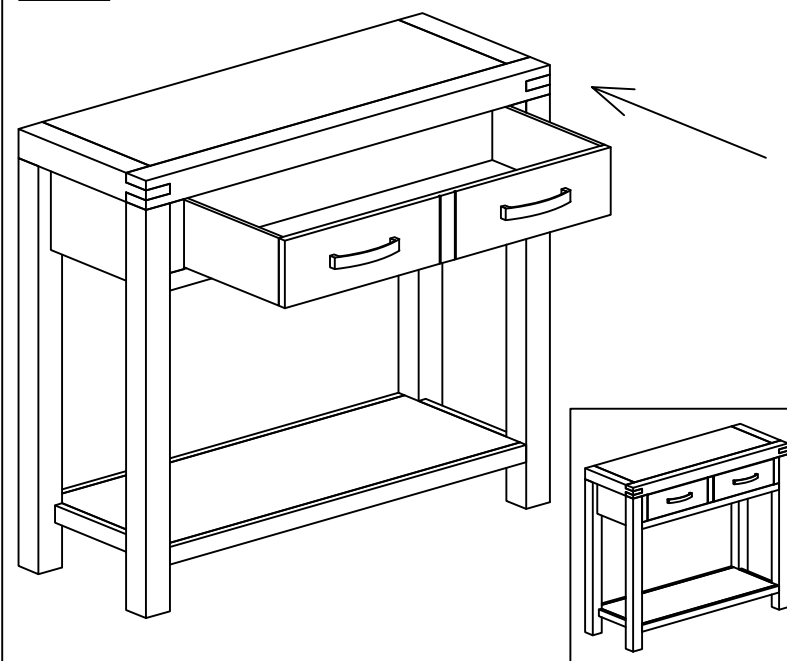


No	Name of Hardware	Q.ty
(1)	Bolt M6x55 	4
(2)	Bolt M6x30 	8
(3)	Washer M6 	12
(4)	Allen key K4 	1
(5)	Bracket 	2
(6)	Tie 	1
(7)	Screw M4 x 20 	2

STEP 3:

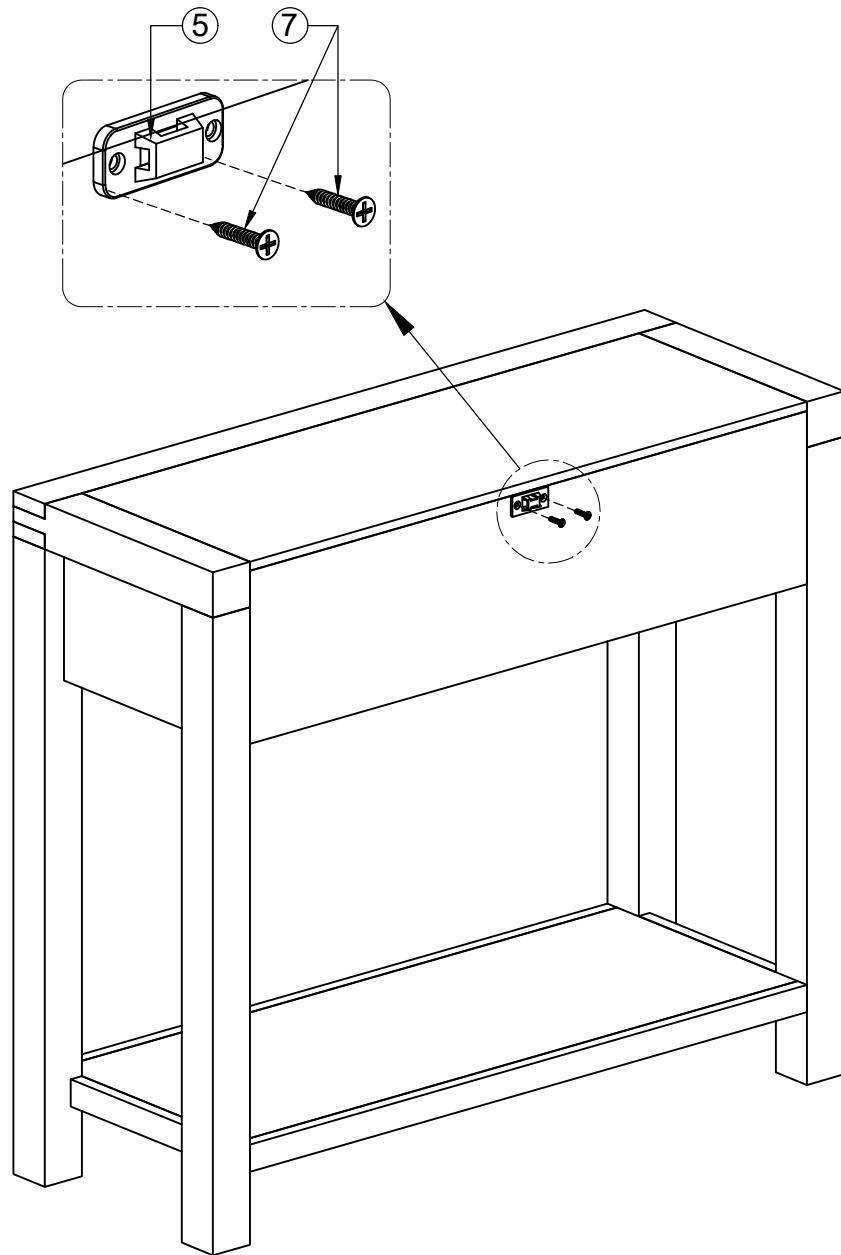


STEP 4: Insert the drawer



ASSEMBLY INSTRUCTION CONSOLE TABLE

STEP 5:



FINAL

