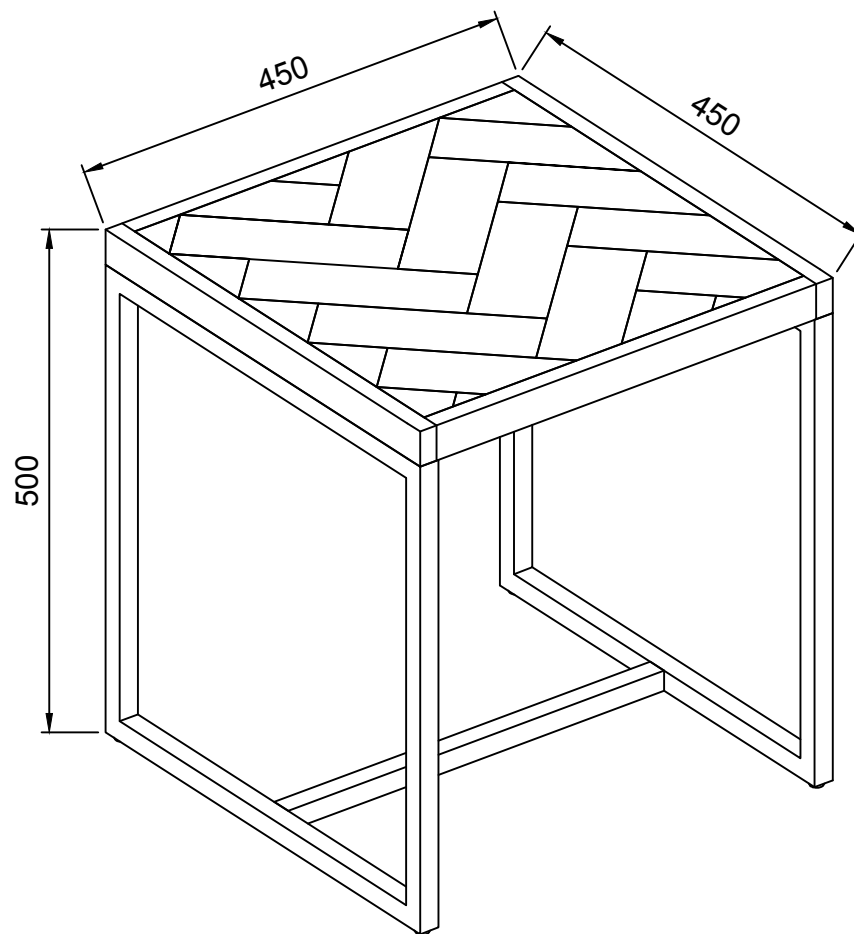


ASSEMBLY INSTRUCTIONS

Side Table



Care instructions

- Only clean the item using a damp cloth and mild detergent. Do not use abrasive cleaners.
- Use a dry cloth to clean the product, furniture polish is not recommended.
- From time to time check that there are no loose screws, nuts or bolts. if there are please re-tighten.
- This product should not be discarded with household waste. Take to your local authority waste disposal centre.

Assembly instructions

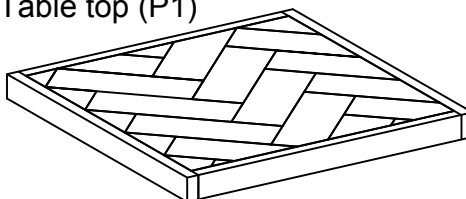
- Never use power tools unless specially instructed. They can damage your components or hardware if used incorrectly.
- The most common mistakes made during assembly are using the wrong hardware or getting components back to front.
- Always use a soft surface (such as carpet or cardboard) when assembling your product to avoid scratching or damaging the surface of the product.
- Bulky items such as wardrobes and bunk beds should be assembled in the room they will be used in as they may not fit through a door once assembled.
- Never use any glue until you are certain that the parts belong together.

What you need

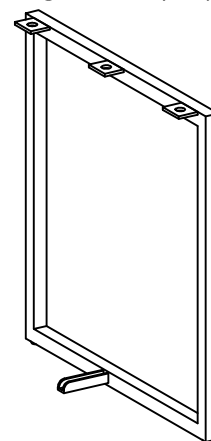
to assemble the product



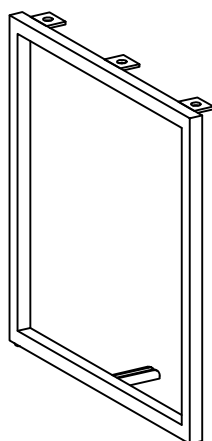
Table top (P1)



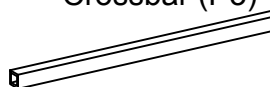
Leg frame (P2)



Leg frame (P2)

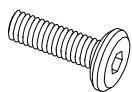


Crossbar (P3)



Parts list

- 1 x Table top (P1).
- 2 x Leg frame (P2).
- 1 x Crossbar (P3).



10 x Bolt
(H1)



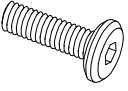
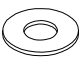

10 x Flat
washer
(H2)

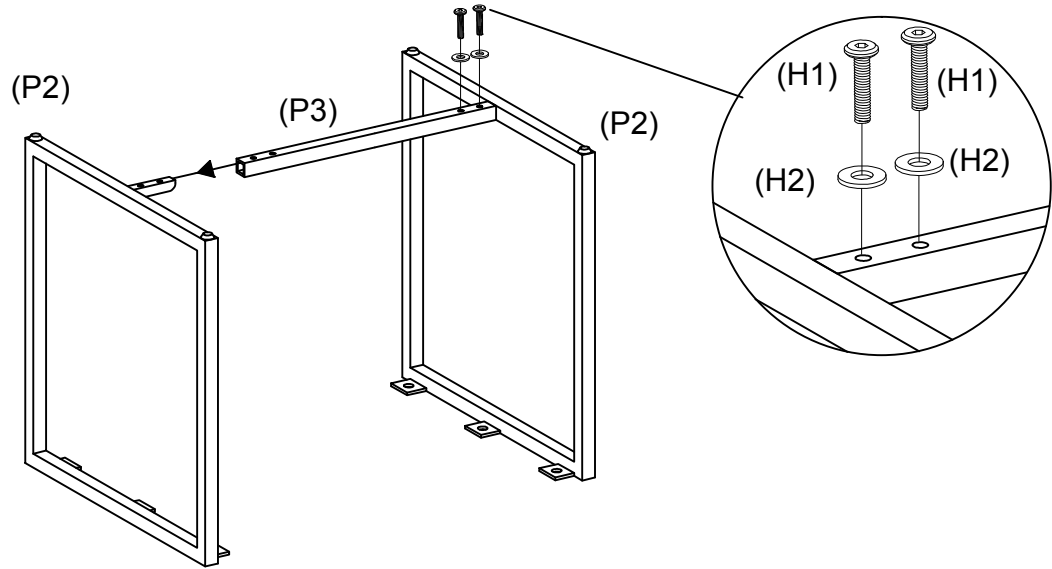


1 x Allen key
(H3)

Step 1

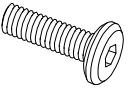
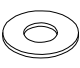

Note: Assemble the side table on a soft flat surface to prevent the unit from being damaged during assembly.

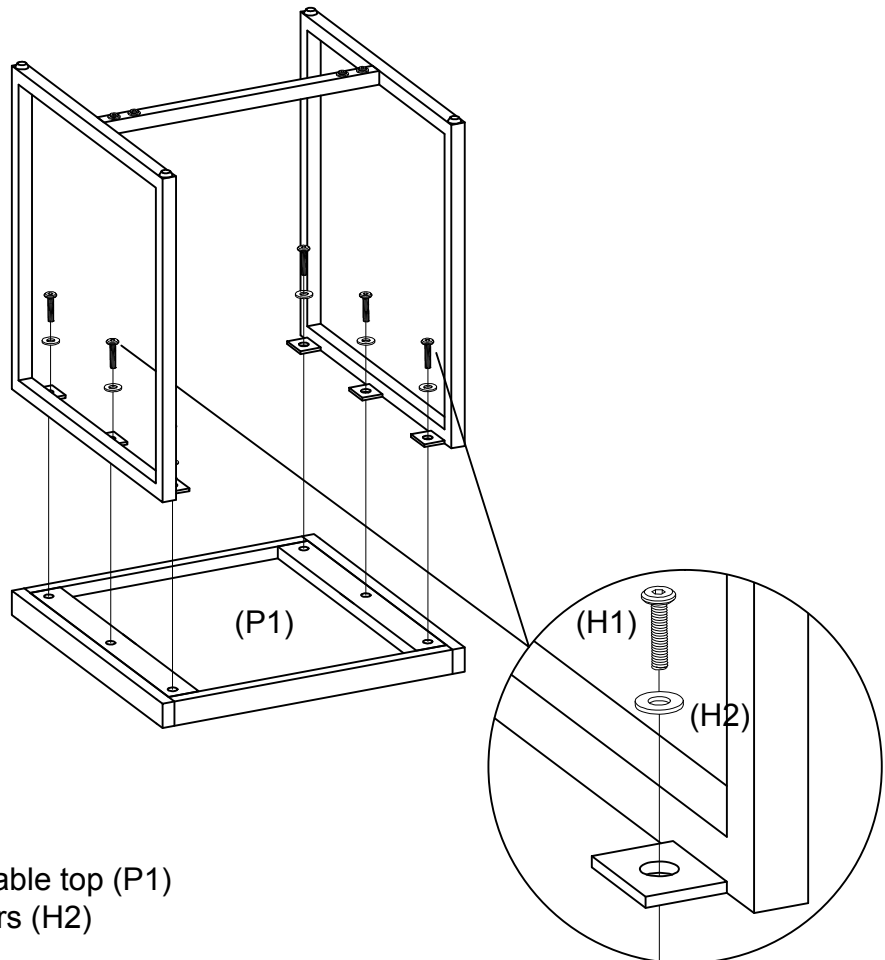
You will need	
	
4 x Bolt (H1)	4 x Flat washer (H2)
	
1 x Allen key (H3)	



Fix crossbar (P3) to leg frames (P2) with 4 bolts (H1) and 4 flat washers (H2). Tighten the bolts using Allen key (H3).

Step 2


You will need	
	
6 x Bolt (H1)	6 x Flat washer (H2)
	
1 x Allen key (H3)	

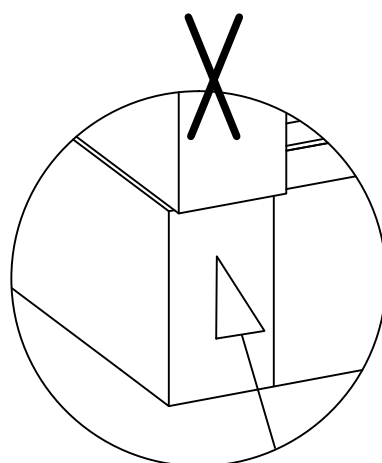
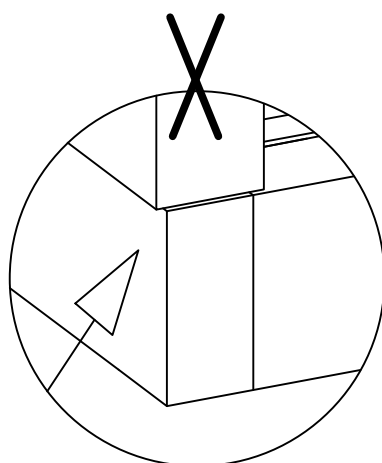
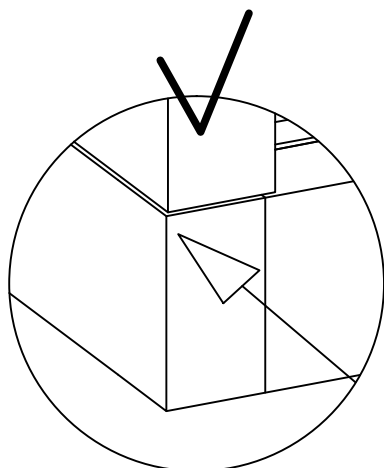
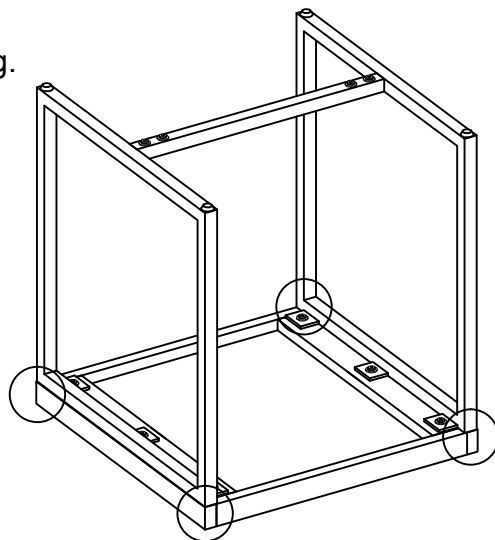


Loosely attach the leg frames to table top (P1) with 6 bolts (H1) and 6 flat washers (H2) using Allen key (H3).

Step 3

Make sure the frame align to the table top before tightening.

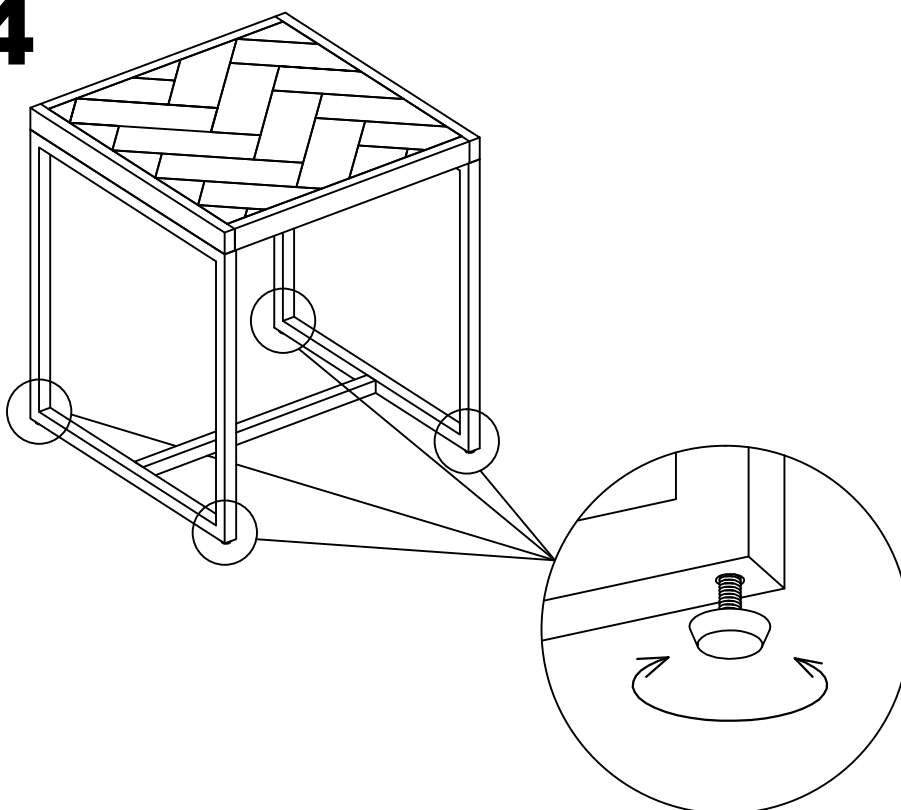
You will need	
	
1 x Allen key (H3)	



Align the leg frames to table top (P1) as shown.

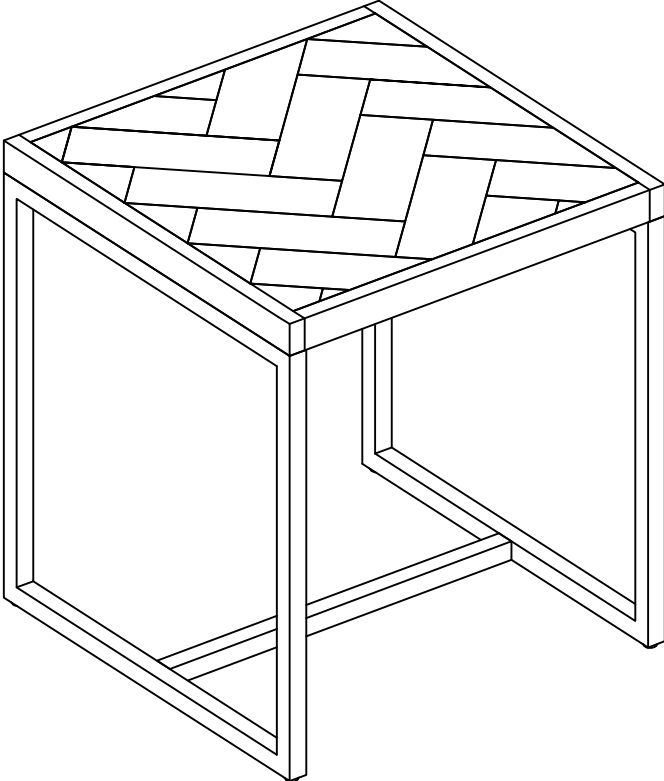
Tighten the bolts using Allen key (H3). Carefully turn the table upright.

Step 4



If necessary, adjust the plastic feet on the leg frames until the table is level.

Step 5



Job Complete!