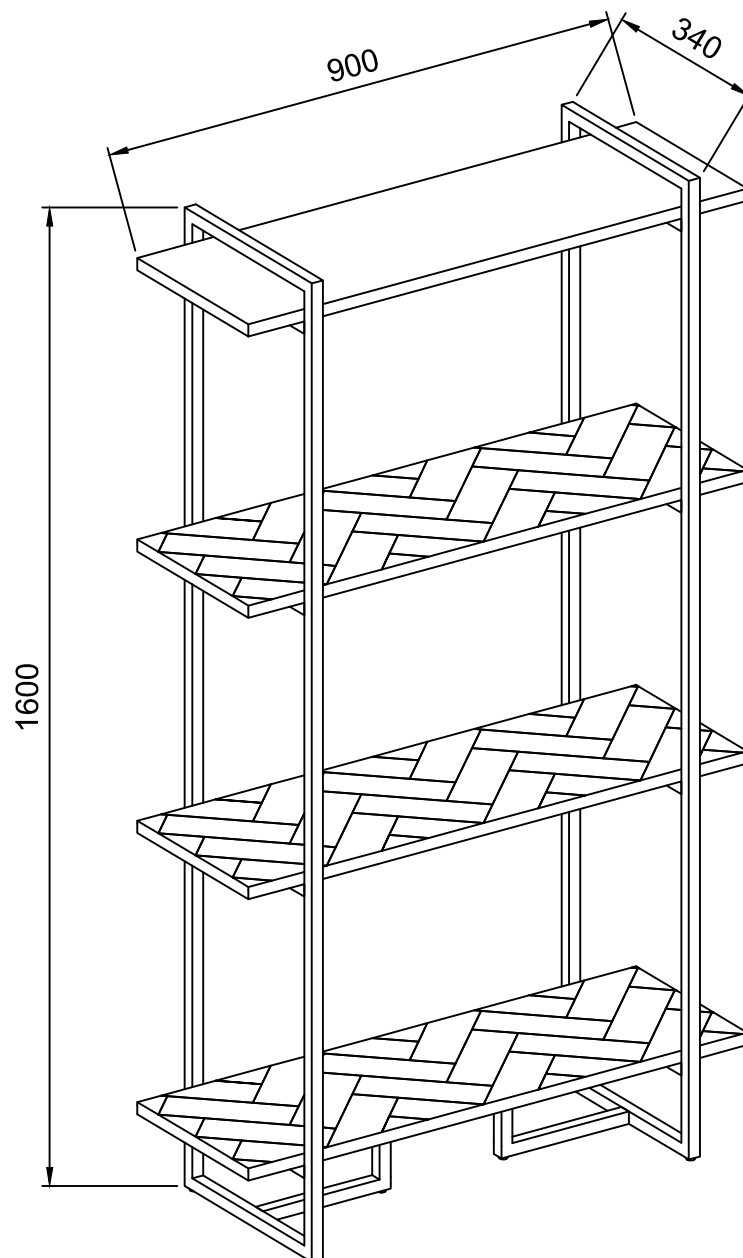


ASSEMBLY INSTRUCTIONS

Bookcase



Care instructions

- Only clean the item using a damp cloth and mild detergent. Do not use abrasive cleaners.
- Use a dry cloth to clean the product, furniture polish is not recommended.
- From time to time check that there are no loose screws, nuts or bolts. if there are please re-tighten.
- This product should not be discarded with household waste. Take to your local authority waste disposal centre.

Assembly instructions

- Never use power tools unless specially instructed. They can damage your components or hardware if used incorrectly.
- The most common mistakes made during assembly are using the wrong hardware or getting components back to front.
- Always use a soft surface (such as carpet or cardboard) when assembling your product to avoid scratching or damaging the surface of the product.
- Bulky items such as wardrobes and bunk beds should be assembled in the room they will be used in as they may not fit through a door once assembled.
- Never use any glue until you are certain that the parts belong together.



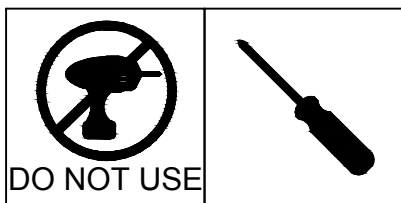
WARNING: ENSURE THE WALL STRAP IS ATTACHED TO AVOID SERIOUS INJURY.

To avoid any serious or fatal injury, this product has been fitted with a wall strap to prevent toppling. We strongly recommend that this product is permanently fixed to the wall or other suitable surface. Fixing devices are not included since different surface materials require different attachments. Please seek professional advice if you are in doubt of what fixing device to use.

Weight capacity: 35kg/shelf.

What you need

to assemble the product

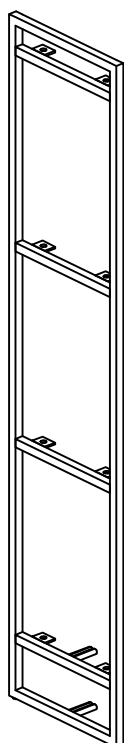


Other tools you need
Phillips head screwdriver.

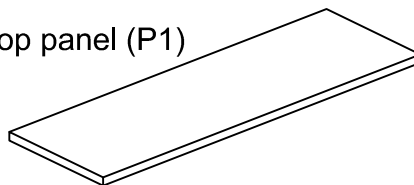
Parts list

- 1 x Top panel (P1);
- 2 x Side frame (P3);
- 2 x Base frame (P3);
- 2 x Shelf panel (P4);
- 1 x Bottom panel (P5).

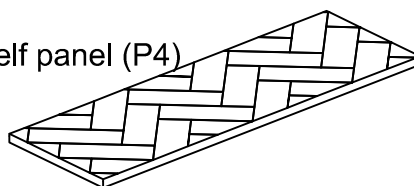
Side frame (P2)



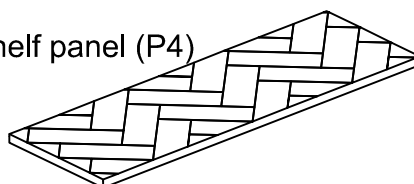
Top panel (P1)



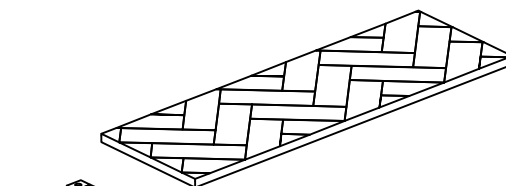
Shelf panel (P4)



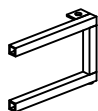
Shelf panel (P4)



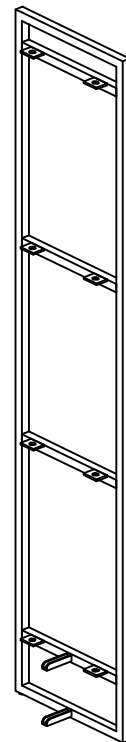
Bottom panel (P5)



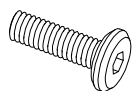
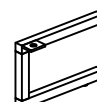
Base frame (P3)



Side frame (P2)



Base frame (P3)



26 x Bolt
(H1)



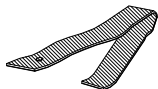
26 x Flat washer
(H2)



1 x Allen key
(H3)



1 x Screw
(H4)



1 x Wall strap
(H5)

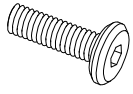


1 x Flat washer
(H6)

Step 1

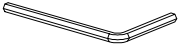
Note: Assemble the bookcase on a soft flat surface to prevent unit from being damaged during assembly.

You will need

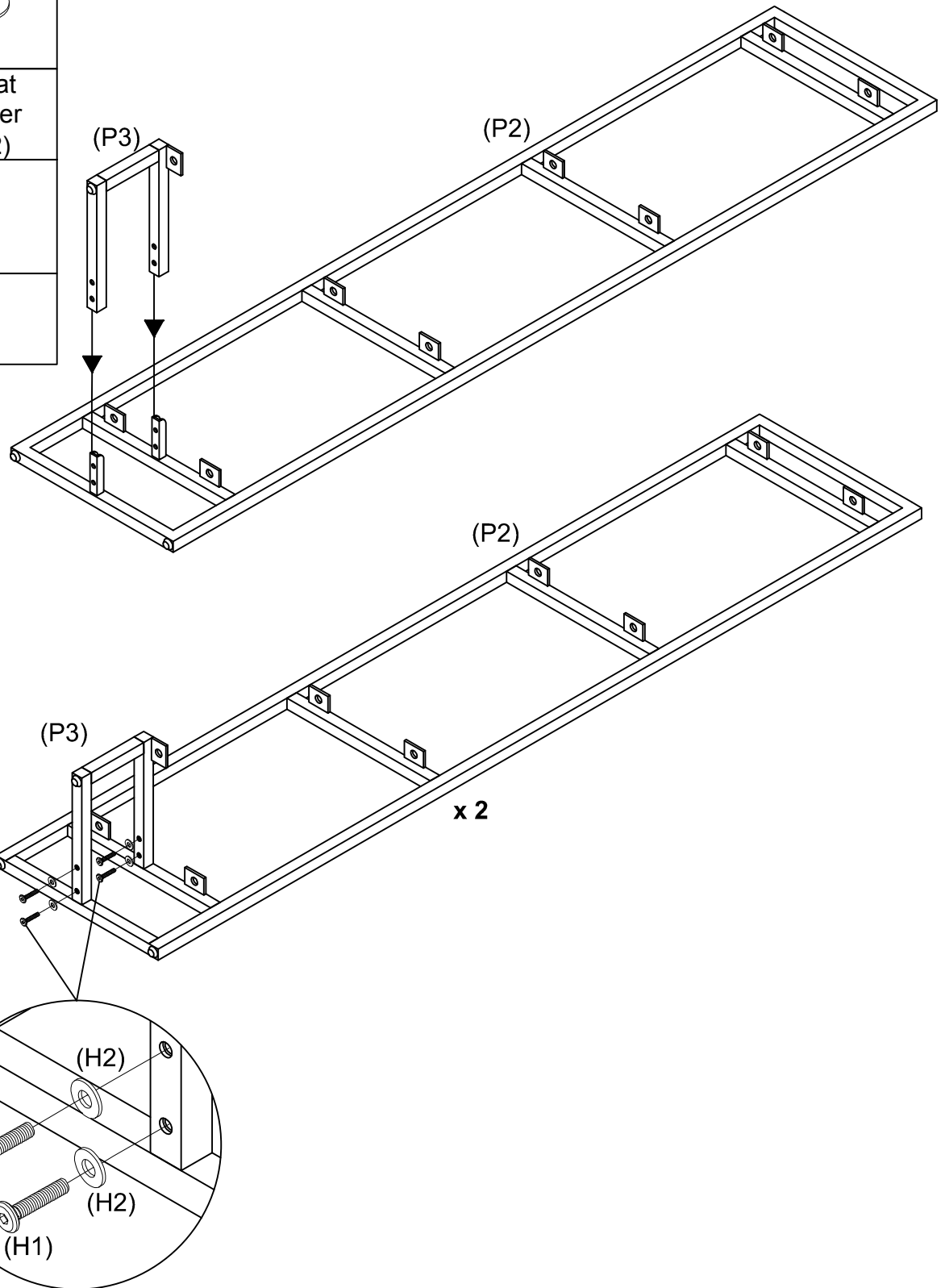


8 x Bolt
(H1)

8 x Flat
washer
(H2)



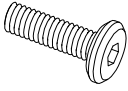


1 x Allen key
(H3)

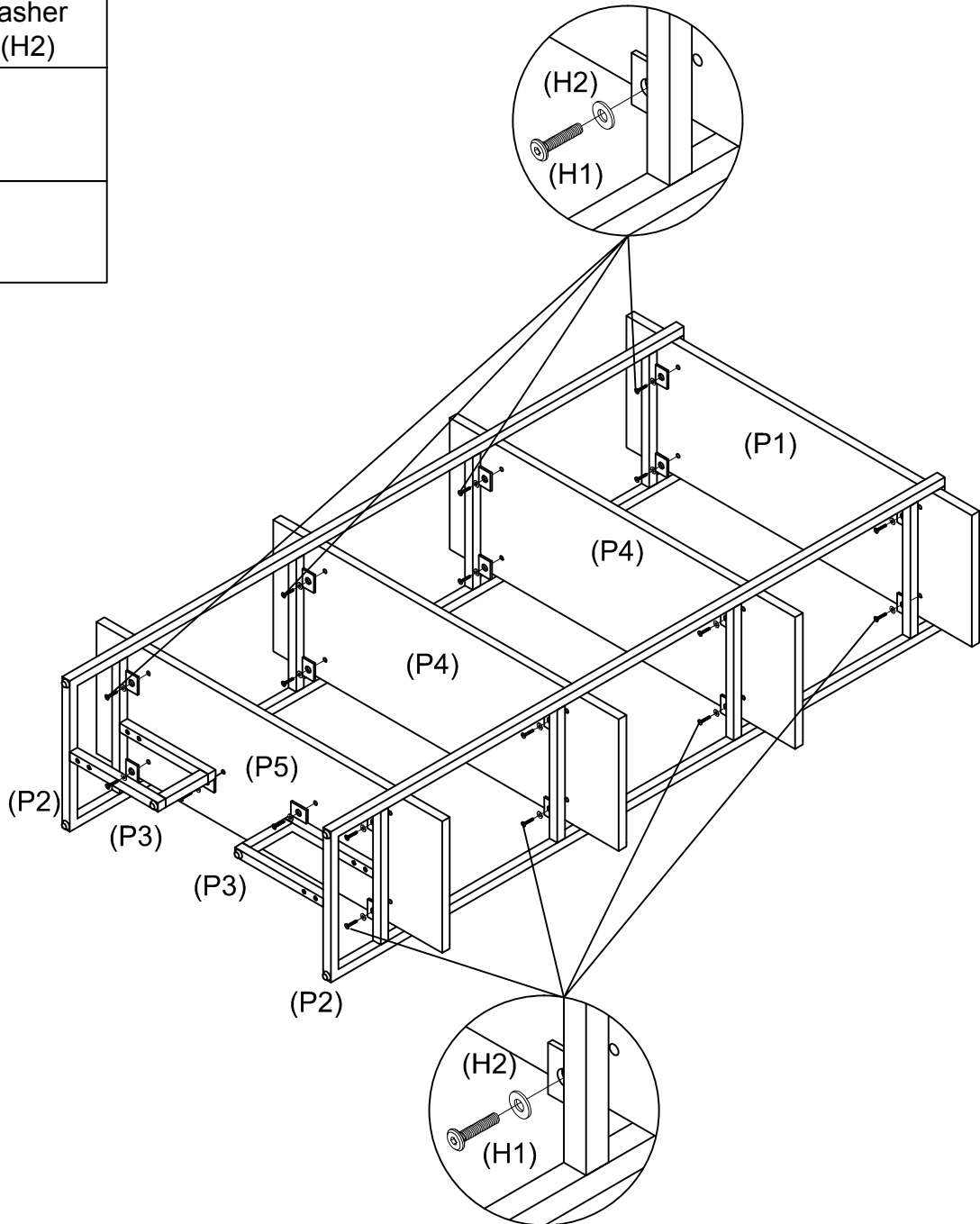


Attach base frame (P3) to side frame (P2) as shown with 4 flat washers (H2) and 4 bolts (H1) by tightening with Allen key (H3).

Repeat steps for the second set of base & side frame (P3&P2).





Step 2

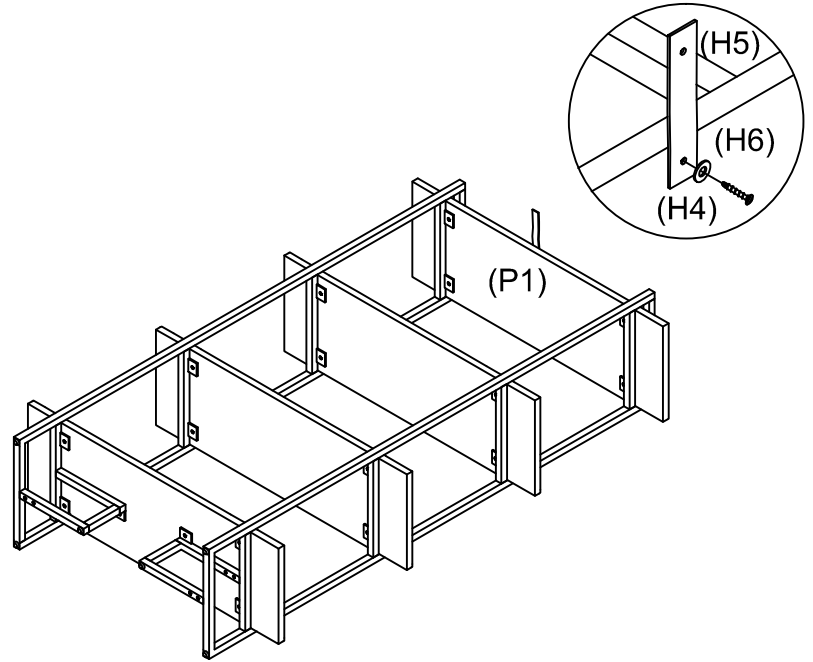
You will need	
	
18 x Bolt (H1)	18 x Flat washer (H2)
	
1 x Allen key (H3)	



Ensure the direction of the herringbone pattern on each shelf is facing the same way. Attach top panel (P1), shelves (P4 x 2) and bottom panel (P5) to side & base frames (P2 x 2 & P3 x 2) with 18 flat washers (H2) and 18 bolts (H1) as shown by tightening with the Allen key (H3).

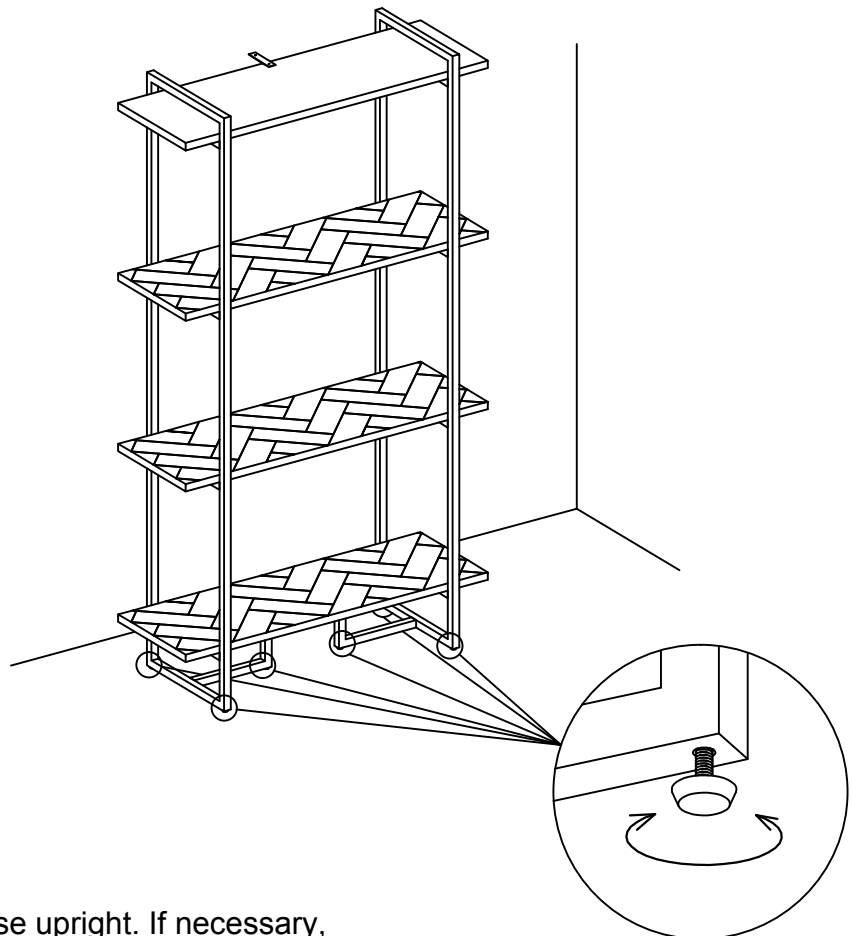
Step 3

You will need	
	
1 x Screw (H4)	1 x Wall strap (H5)
	
Phillips head screwdriver	1 x Washer (H6)




Attach wall strap (H5) to the top panel (P1) with 1 washer (H6) & 1 screw (H4) by tightening with Phillips head screwdriver.

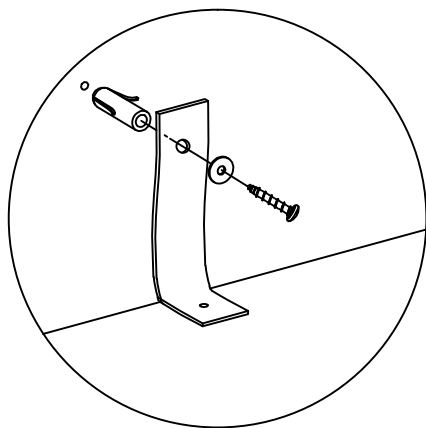
Step 4



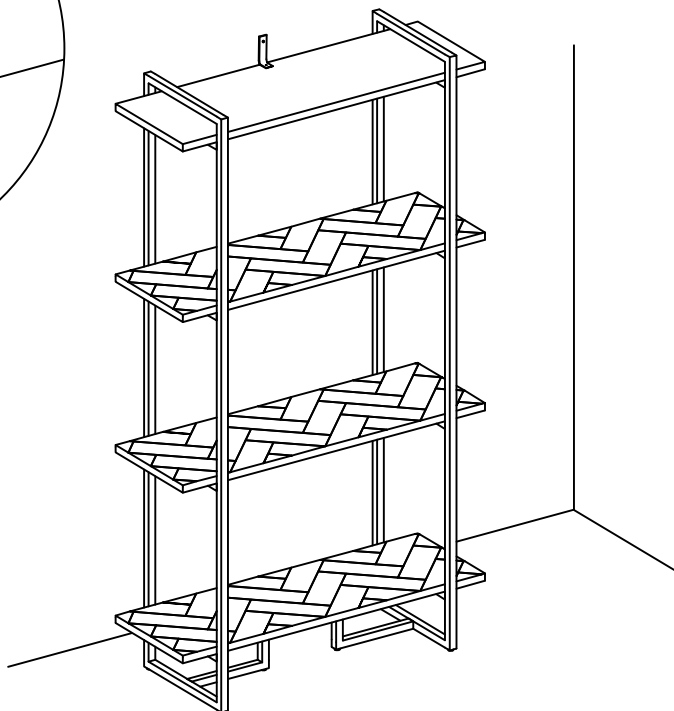
Carefully stand the assembled bookcase upright. If necessary, adjust the plastic feet on the frames until the bookcase is level.

Step 5

You will need	
	
Phillips head screwdriver	

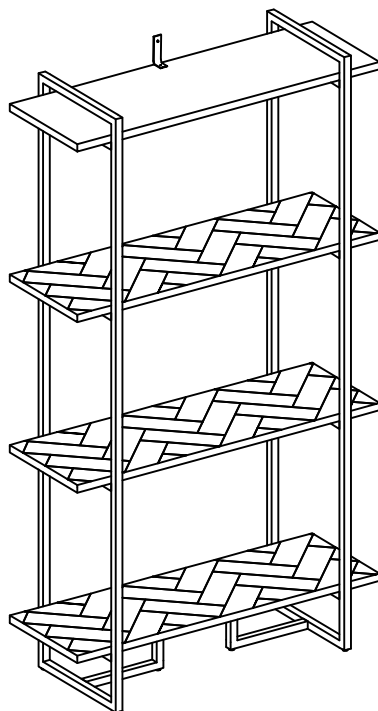


We strongly advise that you use the wall safety strap provided to prevent the unit from toppling.



Screw, washer and wall plug are not provided. Please use appropriate fixtures for your wall. Move the bookcase to the final position and attach the safety strap to the wall securely. Seek advice from a qualified trade person on how to attach safety strap to the wall.

Step 6



Job Complete!