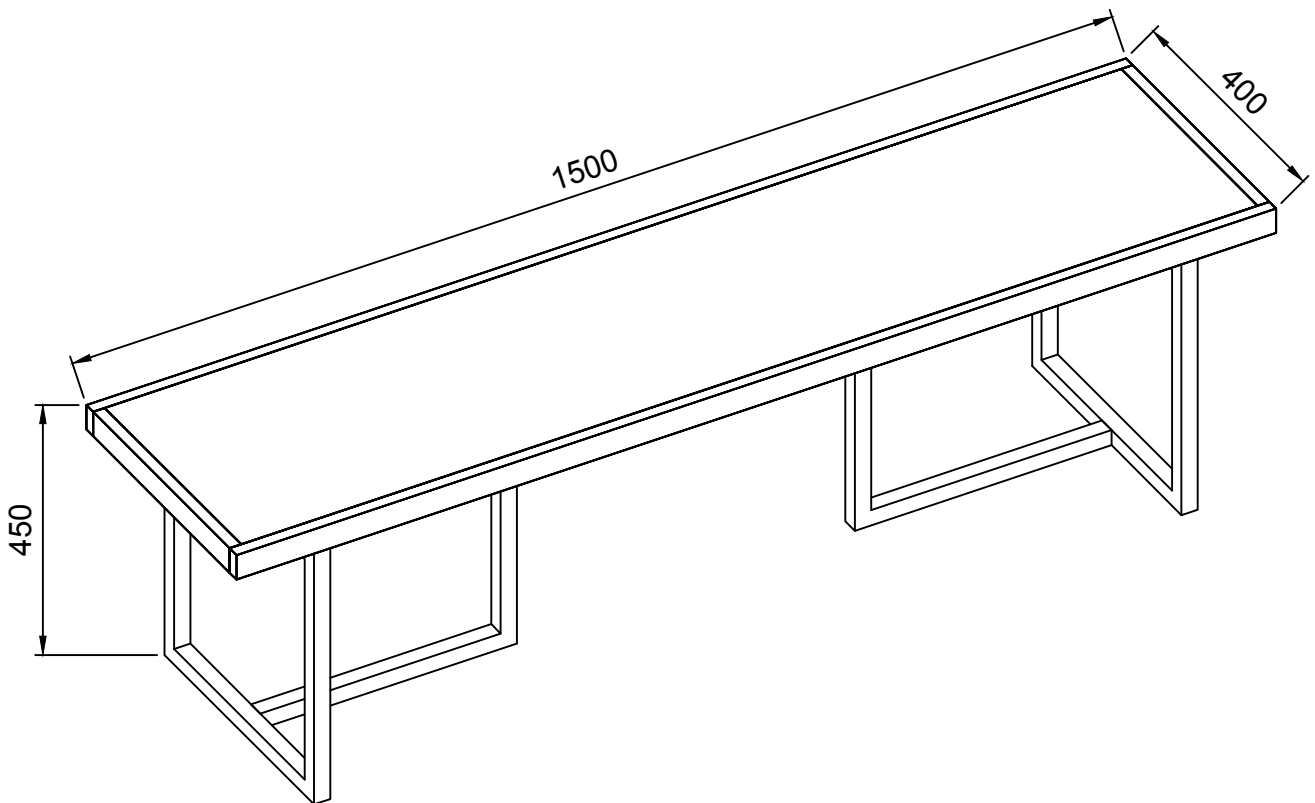


ASSEMBLY INSTRUCTIONS

Bench



Care instructions

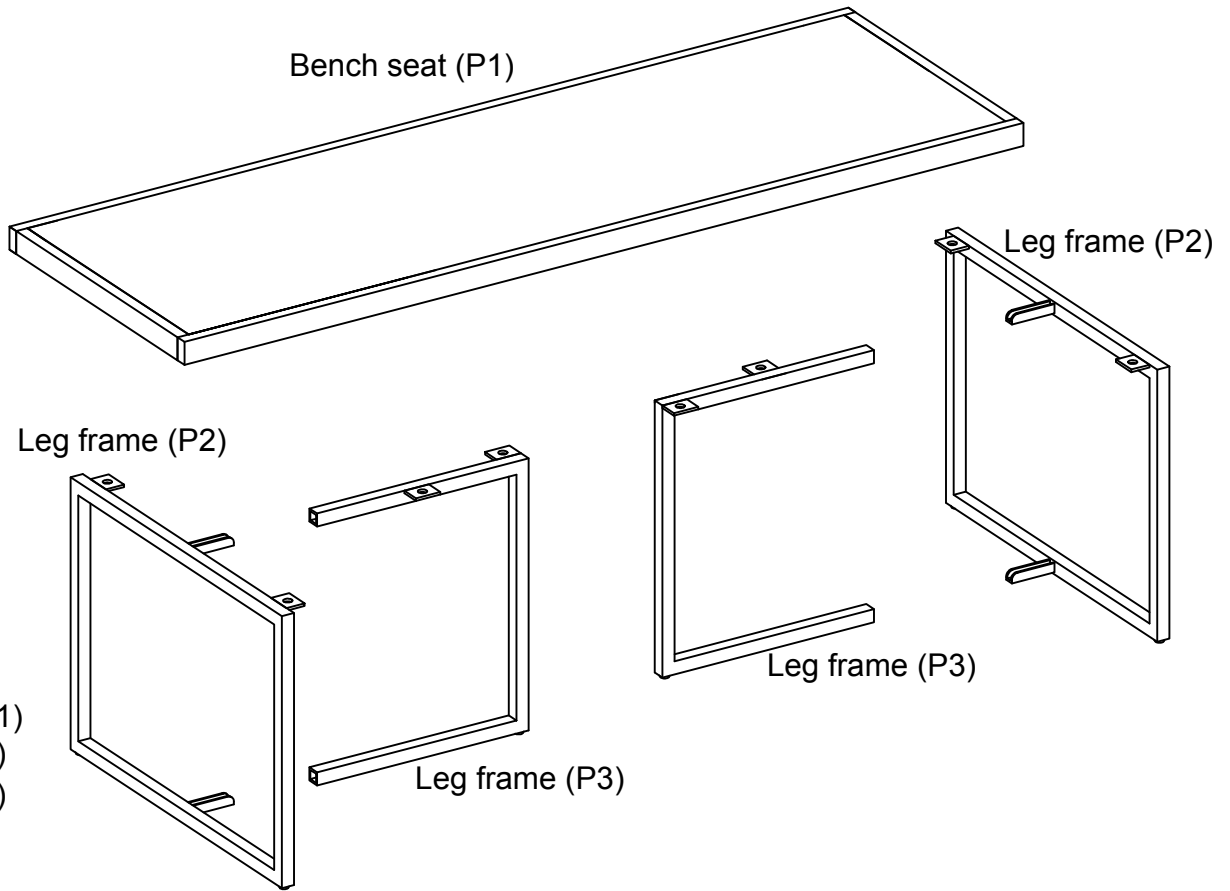
- Only clean the item using a damp cloth and mild detergent. Do not use abrasive cleaners.
- Use a dry cloth to clean the product, furniture polish is not recommended.
- From time to time check that there are no loose screws, nuts or bolts. if there are please re-tighten.
- This product should not be discarded with household waste. Take to your local authority waste disposal centre.

Assembly instructions

- Never use power tools unless specially instructed. They can damage your components or hardware if used incorrectly.
- The most common mistakes made during assembly are using the wrong hardware or getting components back to front.
- Always use a soft surface (such as carpet or cardboard) when assembling your product to avoid scratching or damaging the surface of the product.
- Bulky items such as wardrobes and bunk beds should be assembled in the room they will be used in as they may not fit through a door once assembled.
- Never use any glue until you are certain that the parts belong together.

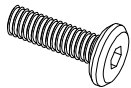
What you need

to assemble the product



Parts list

- 1 x Bench seat (P1)
- 2 x Leg frame (P2)
- 2 x Leg frame (P3)



16 x Bolt
(H1)



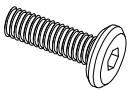


16 x Flat washer
(H2)

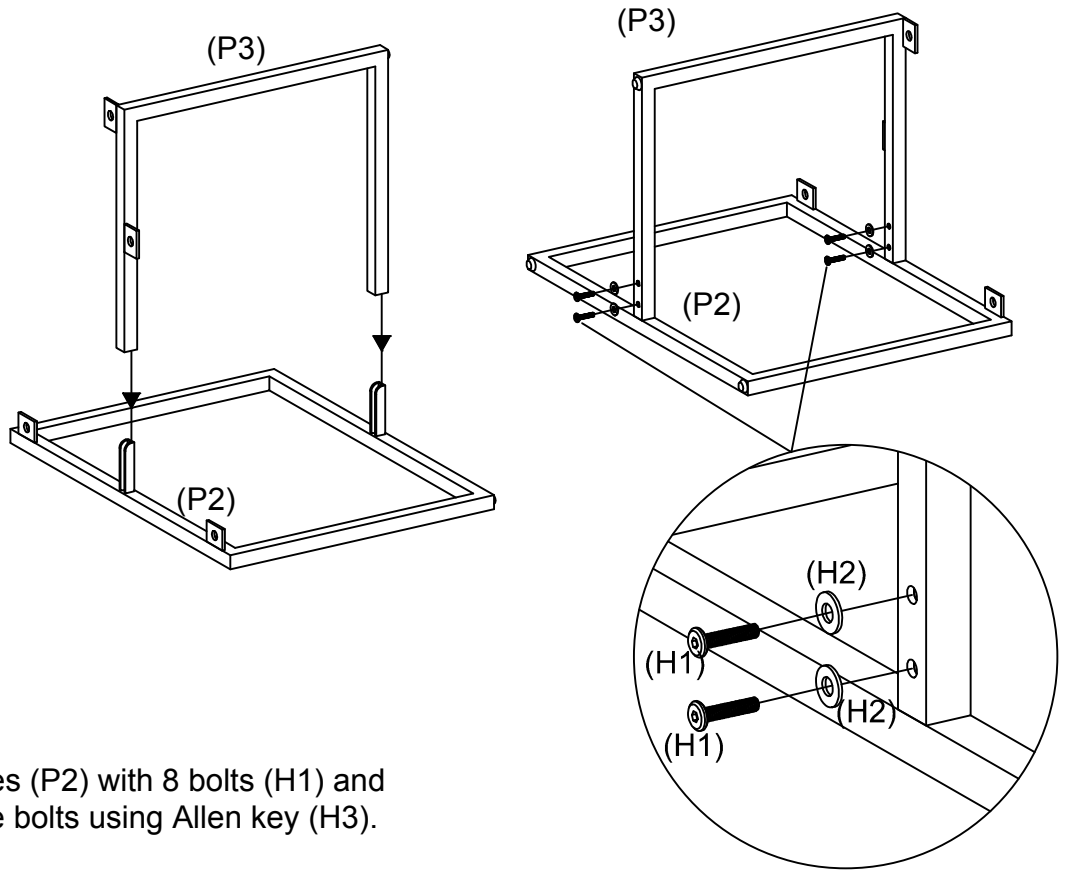


1 x Allen key
(H3)

Step 1

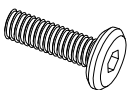


Note: Assemble the bench on a soft flat surface to prevent unit from being damaged during assembly.

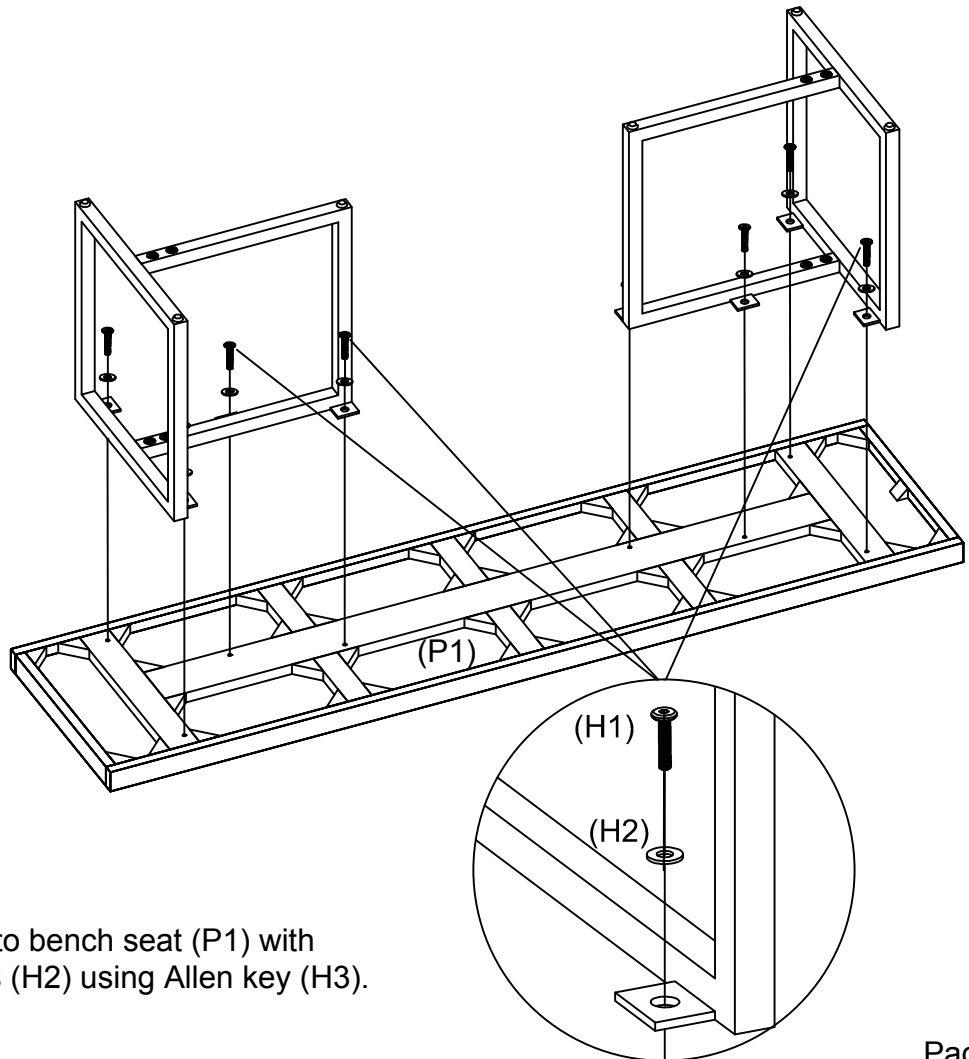
You will need	
	
8 x Bolt (H1)	8 x Flat washer (H2)
	
1 x Allen key (H3)	



Fix leg frames (P3) to leg frames (P2) with 8 bolts (H1) and 8 flat washers (H2). Tighten the bolts using Allen key (H3).

Step 2


You will need	
	
8 x Bolt (H1)	8 x Flat washer (H2)
	
1 x Allen key (H3)	

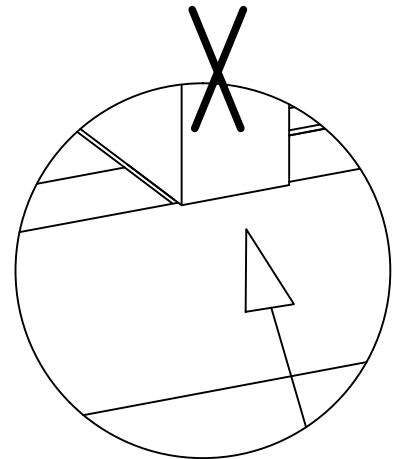
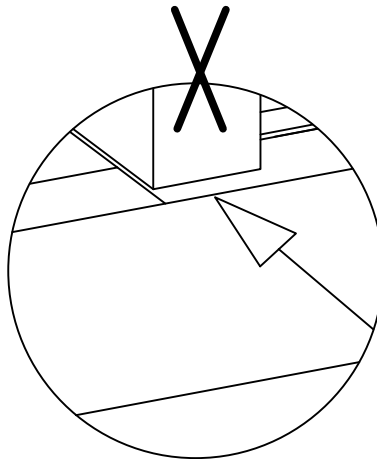
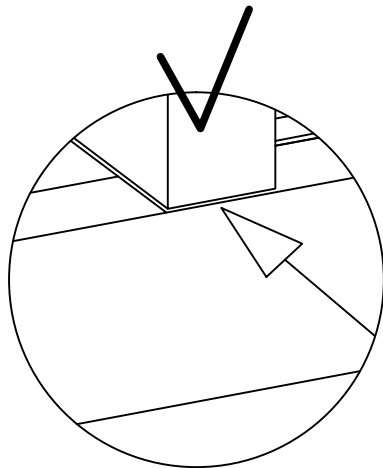
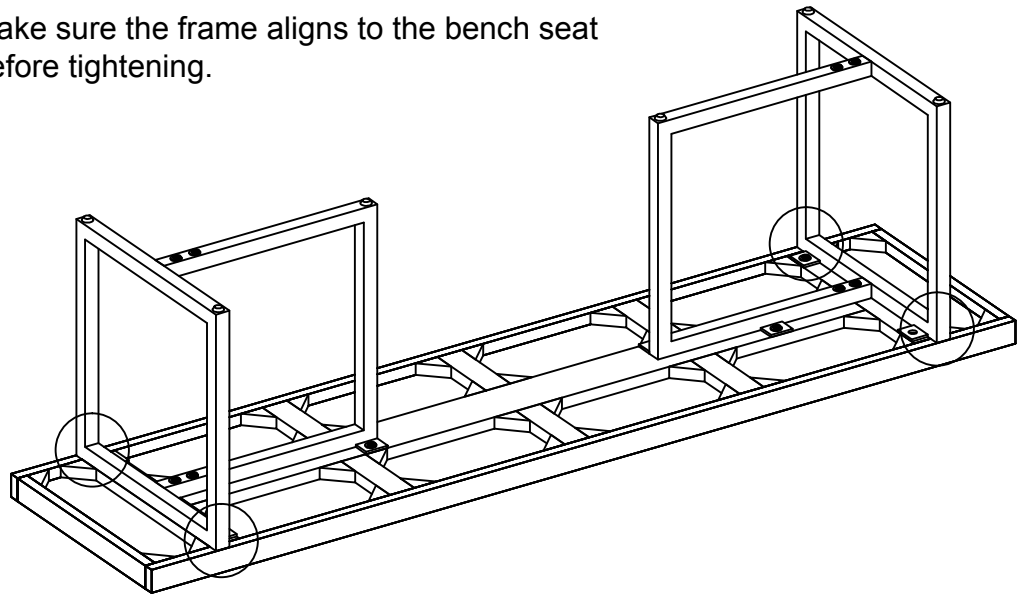


Loosely attach the leg frames to bench seat (P1) with 8 bolts (H1) and 8 flat washers (H2) using Allen key (H3).

Step 3

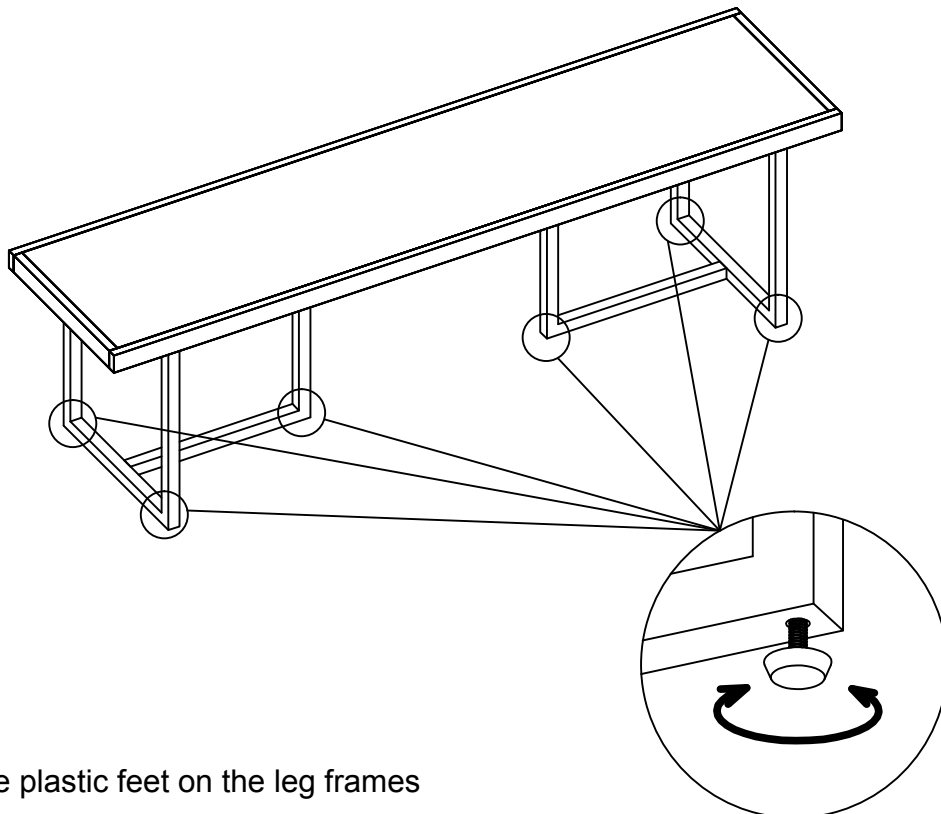
Make sure the frame aligns to the bench seat before tightening.

You will need	
	
1 x Allen key (H3)	



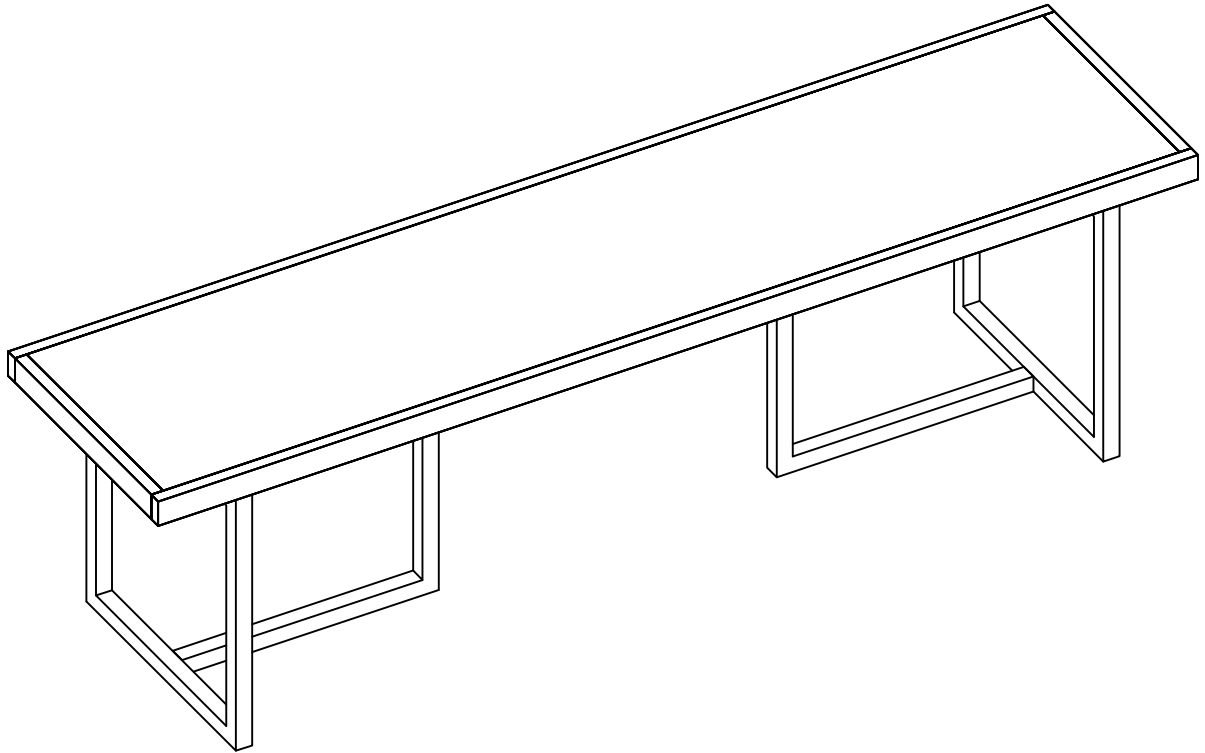
Align the leg frames to bench seat (P1) as shown. Tighten the bolts using Allen key (H3).

Step 4



If necessary, adjust the plastic feet on the leg frames until the bench is level.

Step 5



Job Complete!