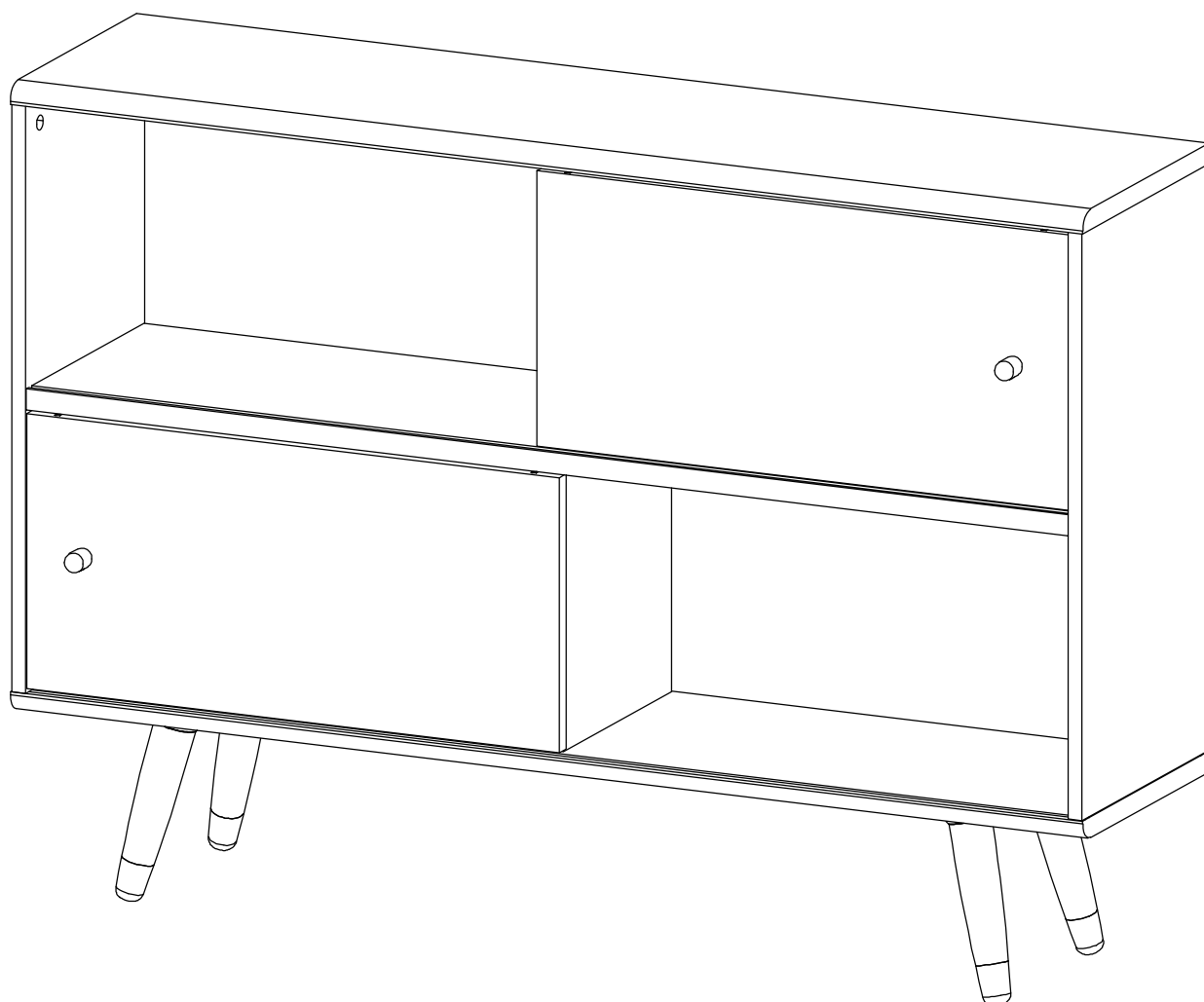


Assembly Instructions

BOUTIQUE CABINET 2SL

520466



Keep these instructions for future reference

WARNING

Read instructions carefully. Check no parts are missing.

Assemble the furniture on a soft level surface to avoid damaging the furniture or your floor.

Carefully identify each component, especially those that are similar.

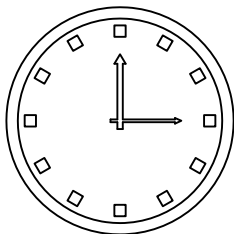
The most common mistake is getting things back to front.

Separate and identify each component from the hardware pack and rest each one in it's proper location before fastening.

We recommend furniture be assembled near where they will be placed, to avoid moving the product unnecessarily once assembled.

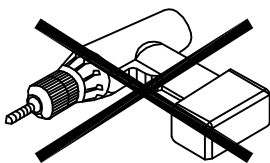
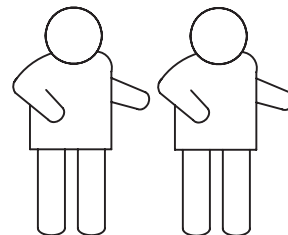
If there is a need to move the furniture, please remove all loose items and have extra hands to help lift the furniture to the desired location. Dragging the furniture will damage both the furniture and the floor.

Regularly check and re-tighten (if necessary) all bolts on furniture that you have assembled yourself.



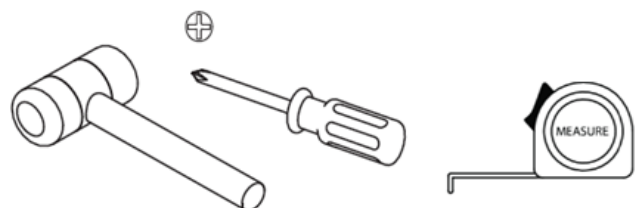
ALLOW 60 MIN

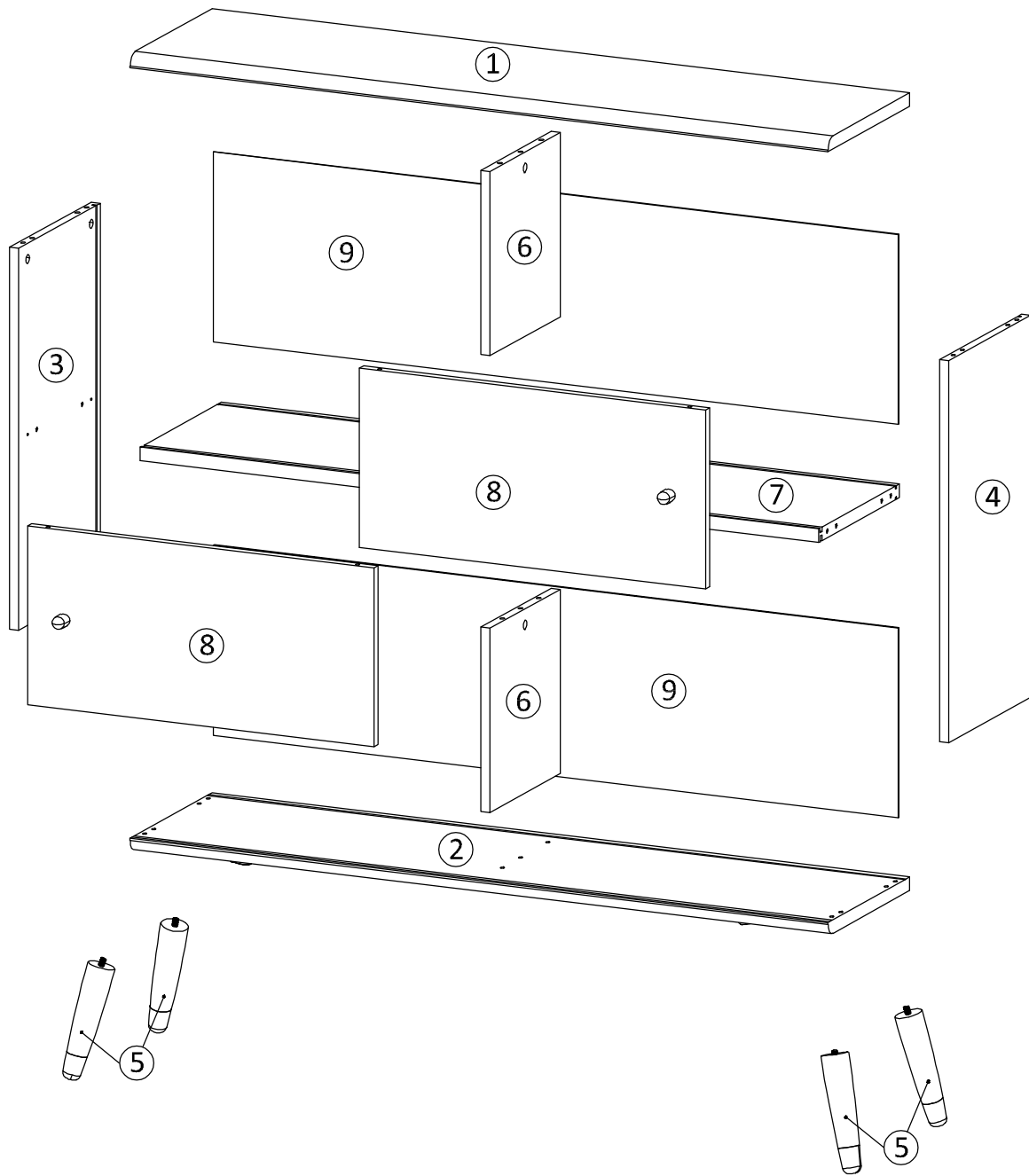
2 Persons Required



DO NOT USE ON PRODUCT









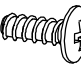






Tools Required



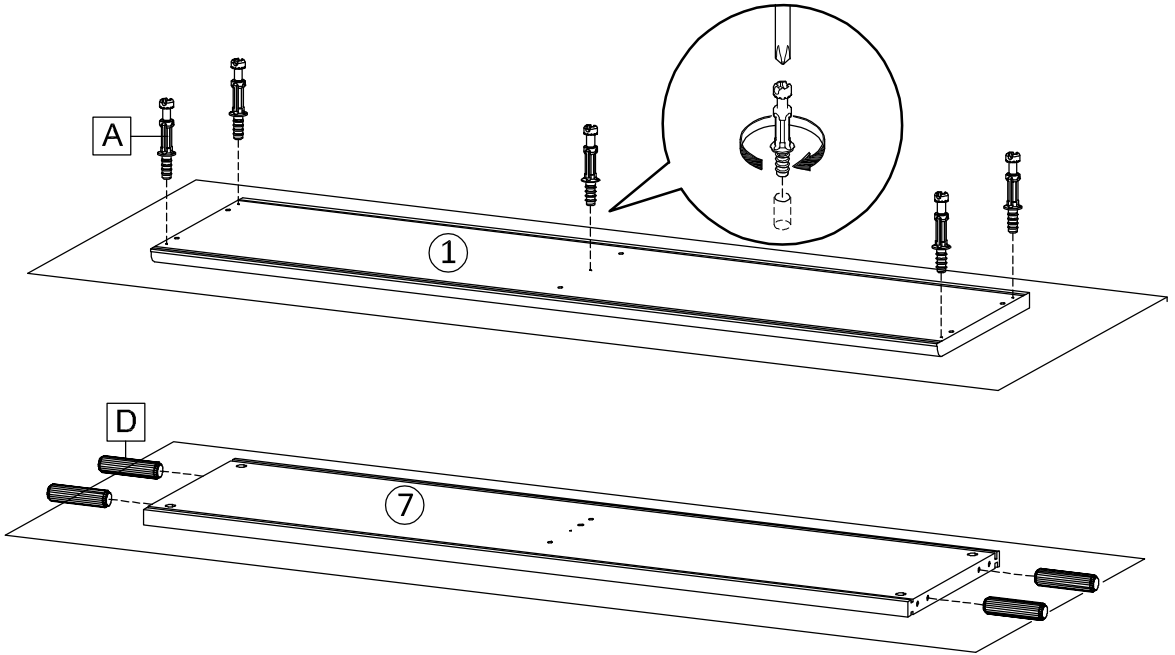


CHECKLIST

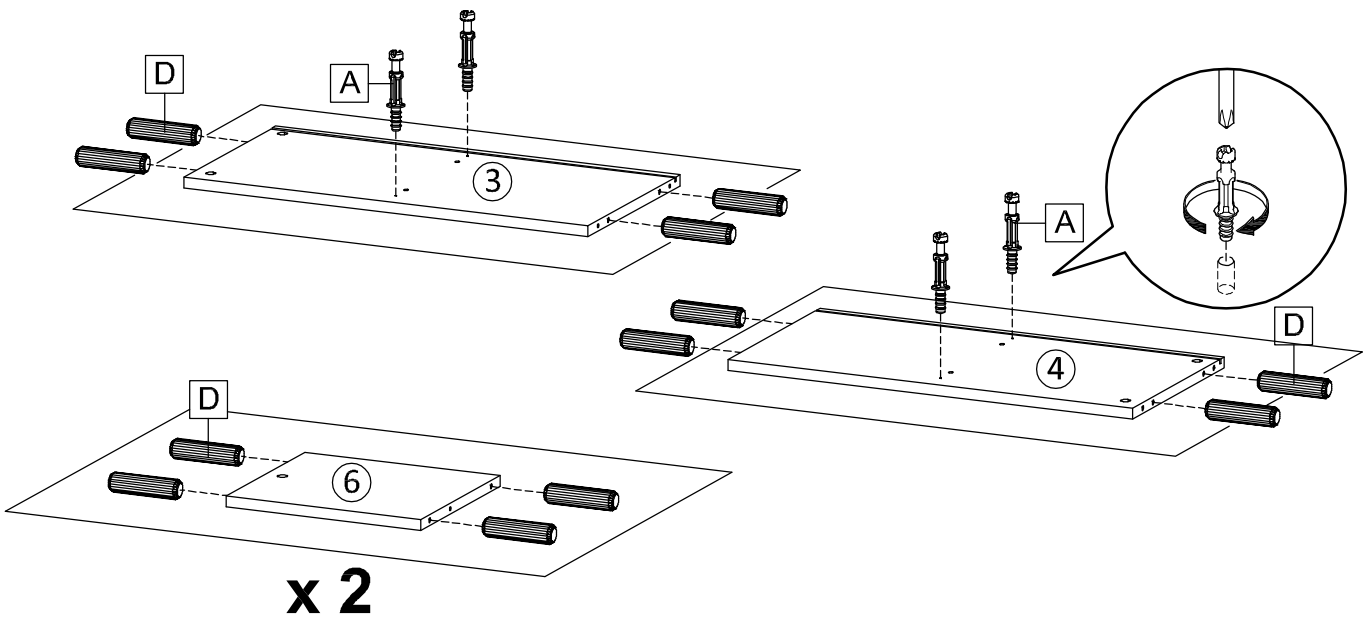


<p>A <input type="checkbox"/></p>  <p>Ø6x35mm Ax10</p>	<p>B <input type="checkbox"/></p>  <p>Ø15mm Bx10</p>	<p>C <input type="checkbox"/></p>  <p>Ø8mm Cx4</p>	<p>D <input type="checkbox"/></p>  <p>Ø8x32mm Dx20</p>	<p>E <input type="checkbox"/></p>  <p>M7x50mm Ex6</p>
<p>F <input type="checkbox"/></p>  <p>L 4 Fx1</p>	<p>G <input type="checkbox"/></p>  <p>Gx16</p>	<p>H <input type="checkbox"/></p>  <p>M3.5x15.5mm Hx16</p>	<p>I <input type="checkbox"/></p>  <p>M4.5x12.5mm Ix20</p>	<p>J <input type="checkbox"/></p>  <p>Jx4</p>
<p>K <input type="checkbox"/></p>  <p>Kx2</p>	<p>L <input type="checkbox"/></p>  <p>M3.5x25mm Lx2</p>	<p>M <input type="checkbox"/></p>  <p>Ø15mm Mx6</p>	<p>N <input type="checkbox"/></p>  <p>Nx4</p>	<p>O <input type="checkbox"/></p>  <p>Ox4</p>

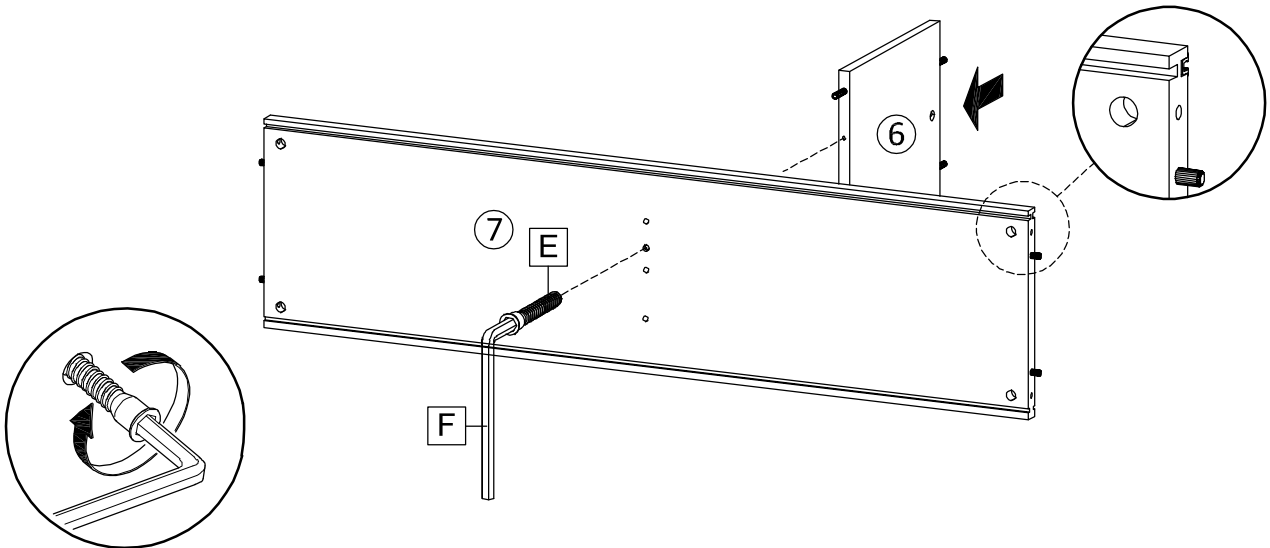
1



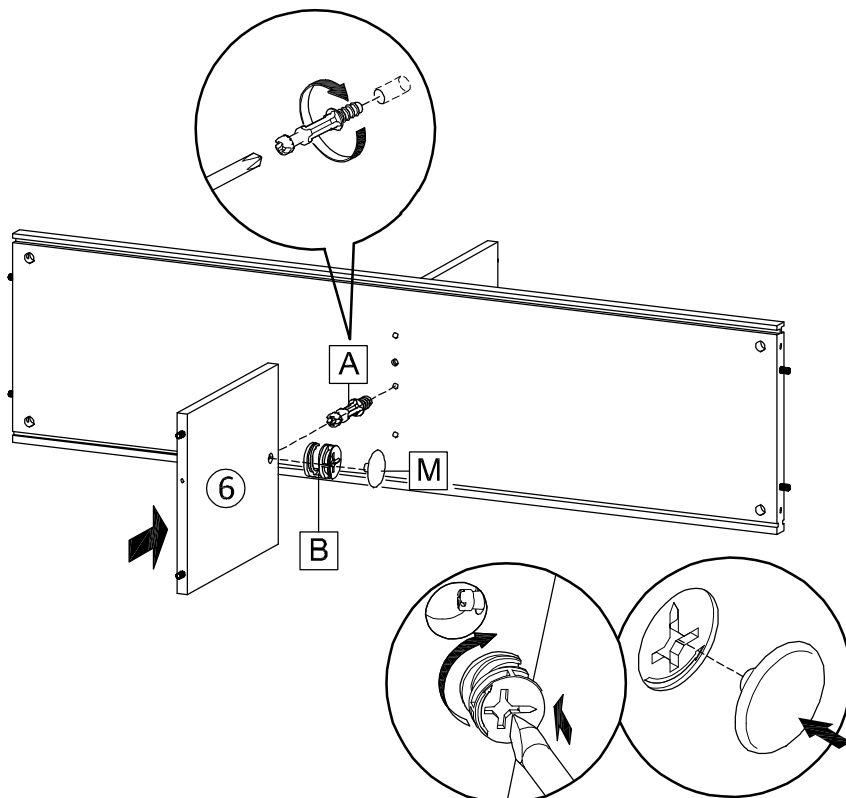
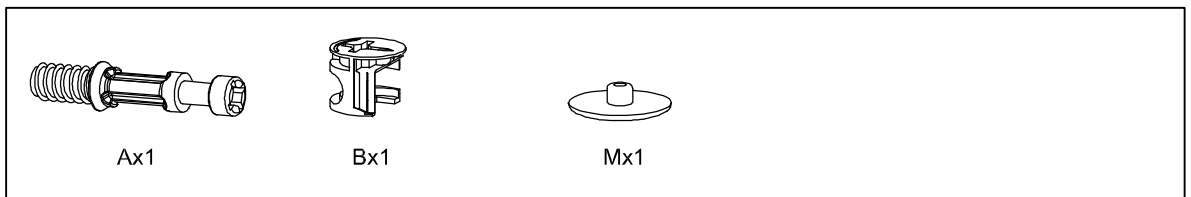
2



3



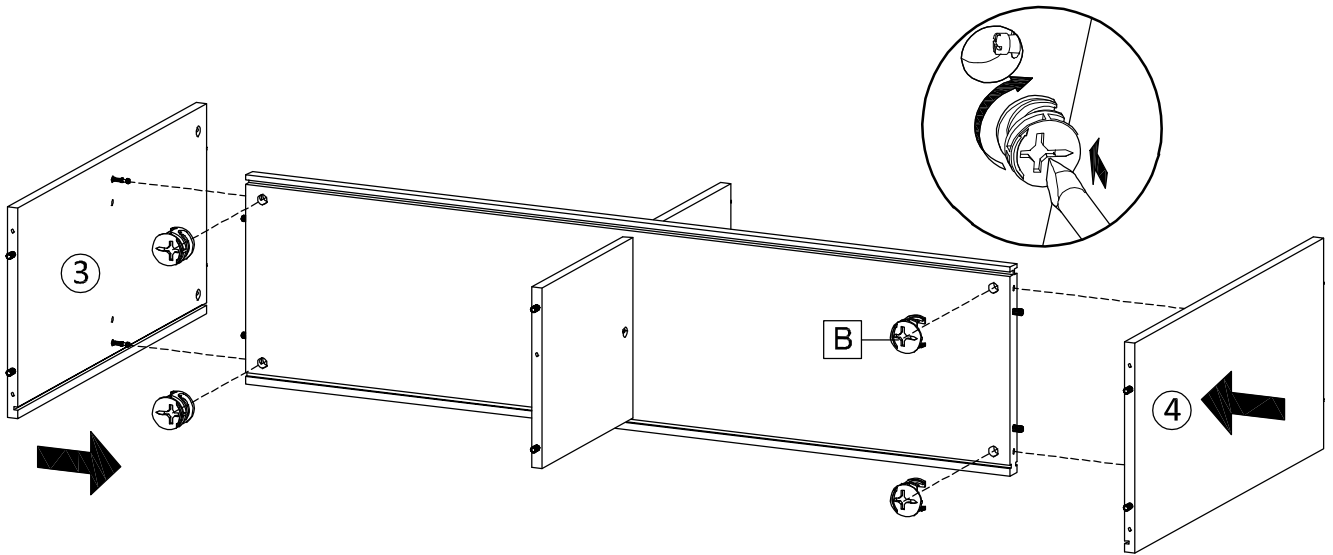
4



5



Bx4



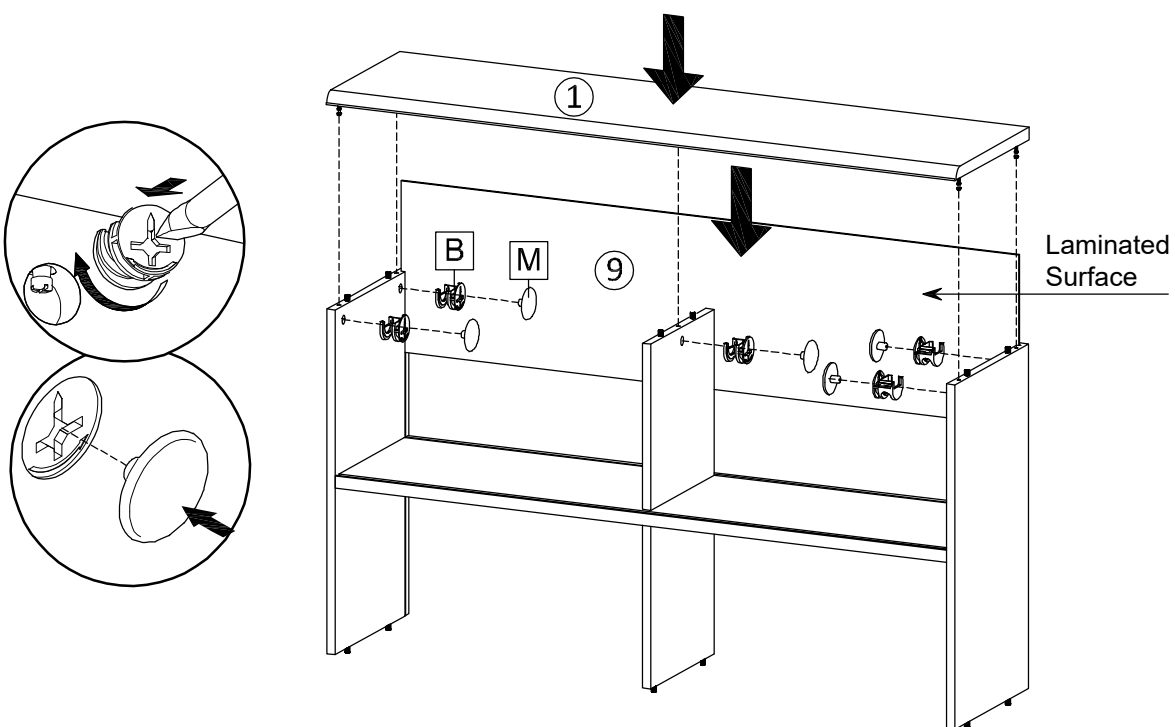
6



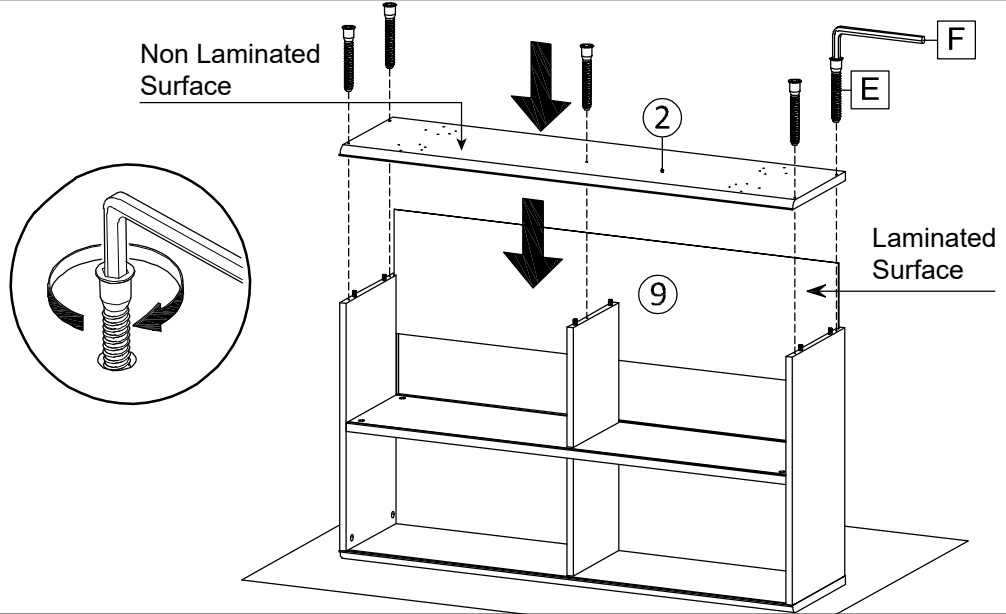
Bx5



Mx5



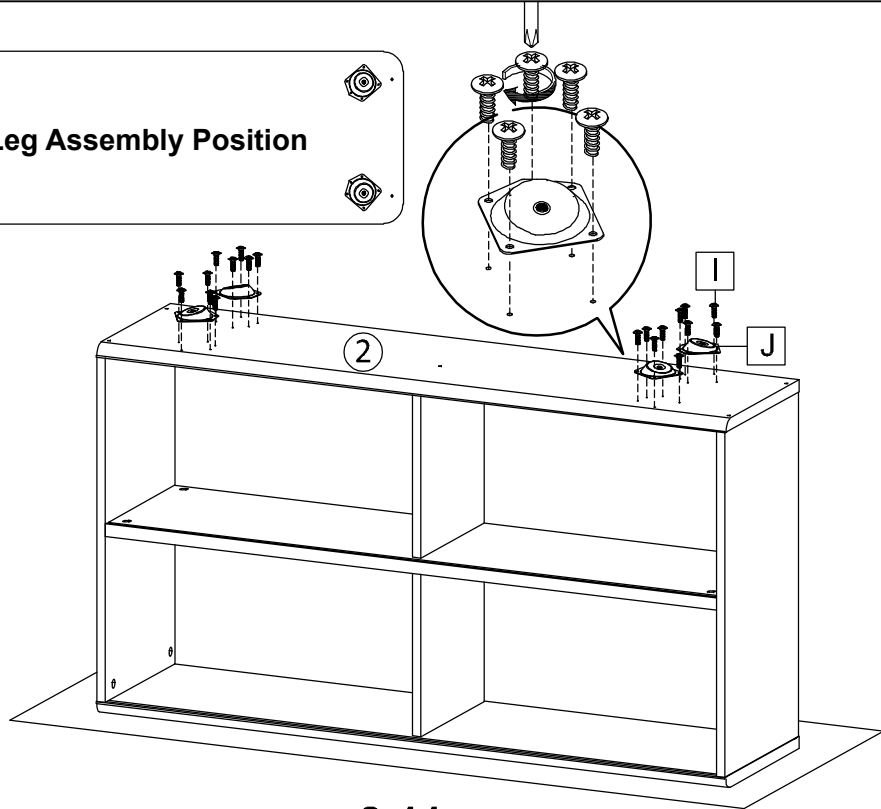
7



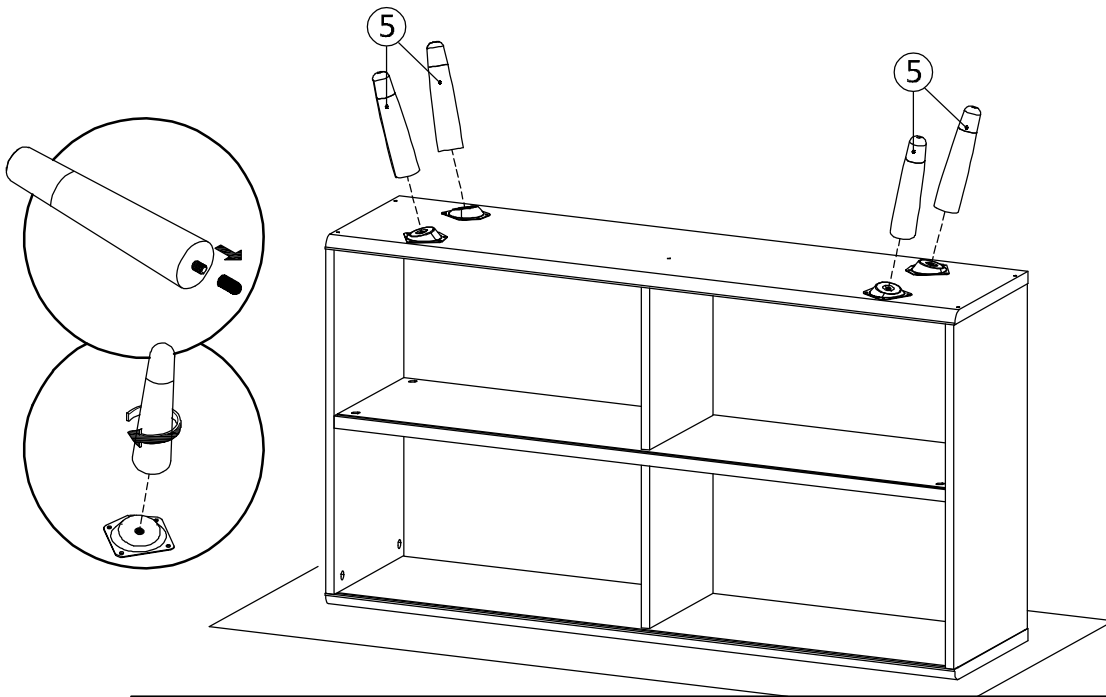
8



 **Attention on Leg Assembly Position**



9



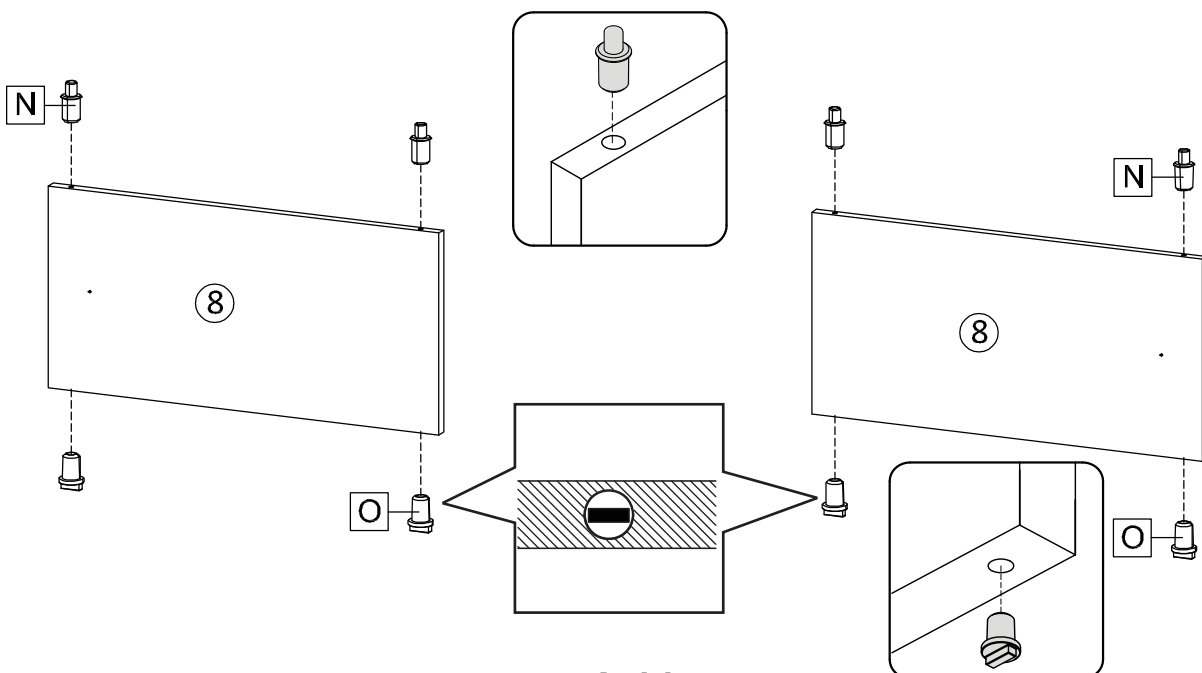
10



Nx4

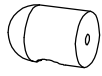


Ox4

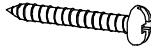


9-11

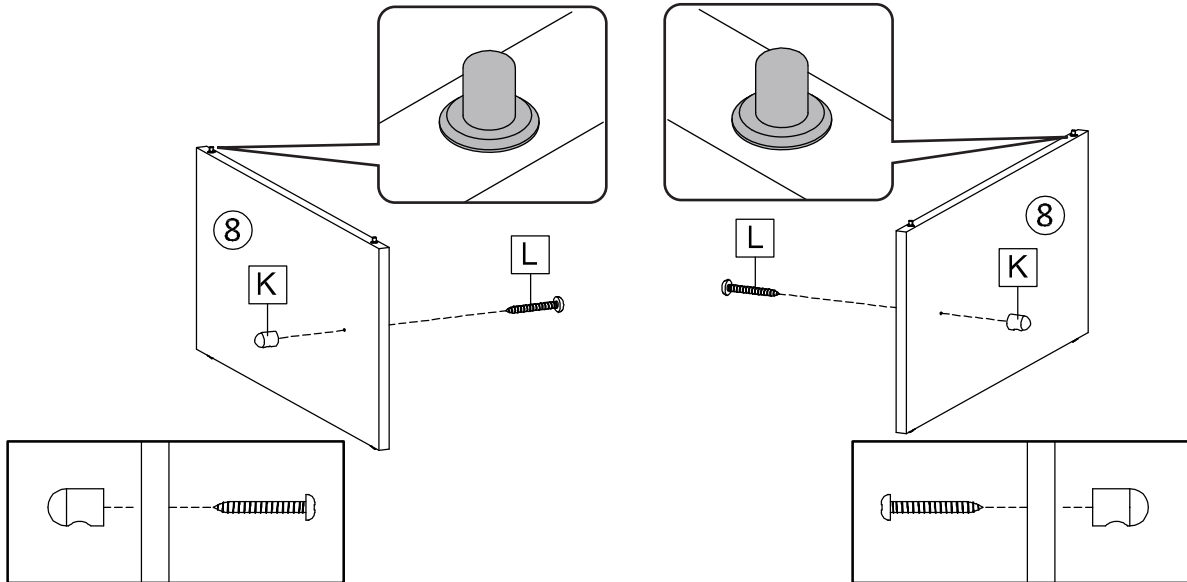
11



Kx2



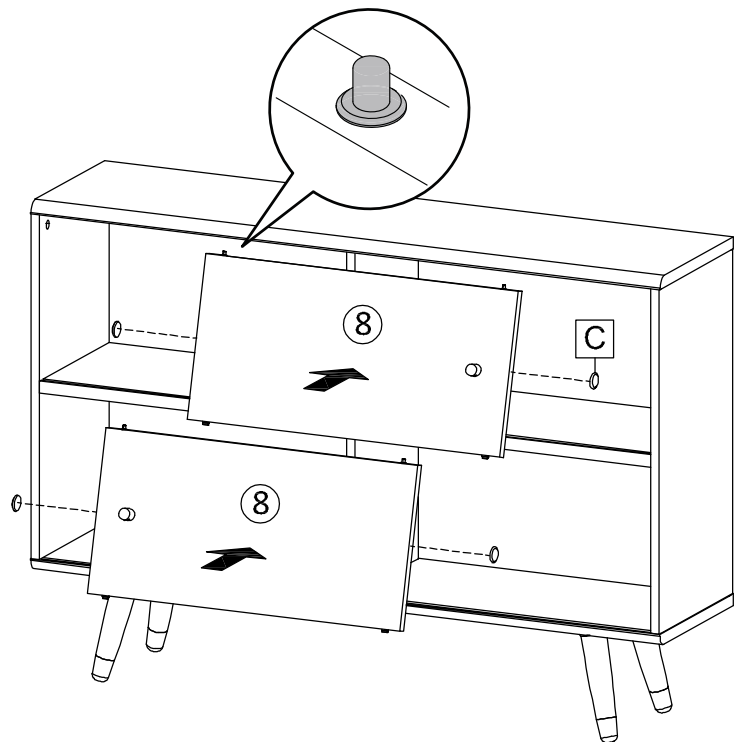
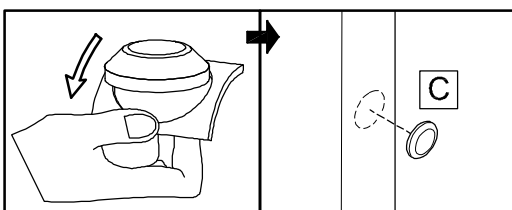
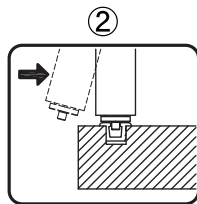
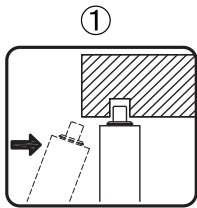
Lx2



12



Cx4



10-11

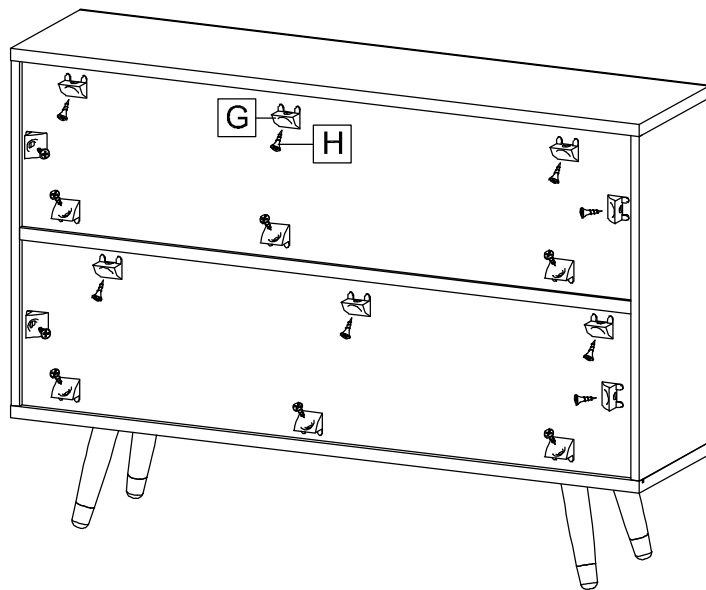
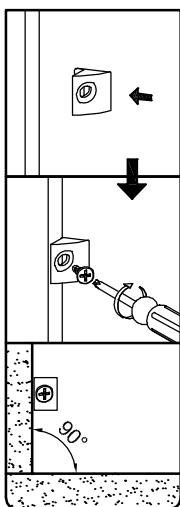
13



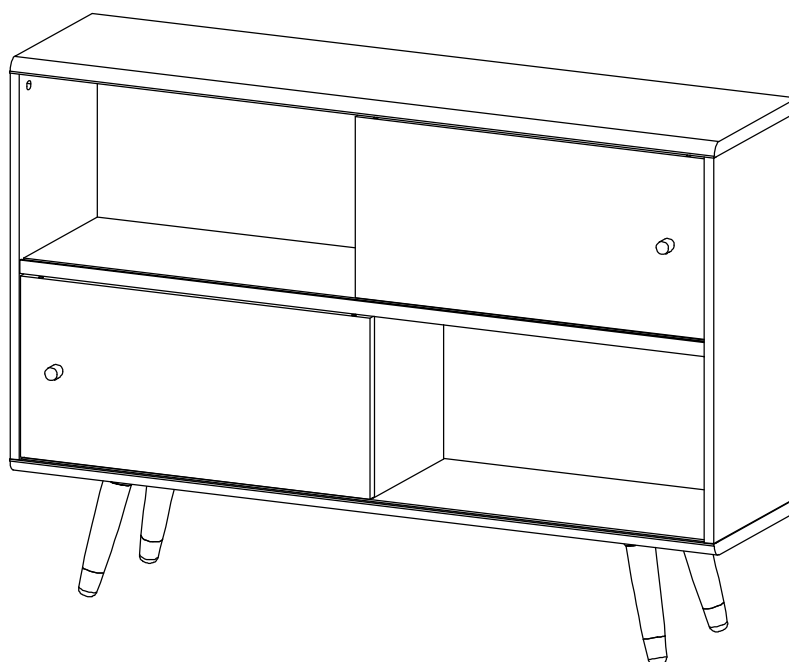
Hx16



Gx16



14

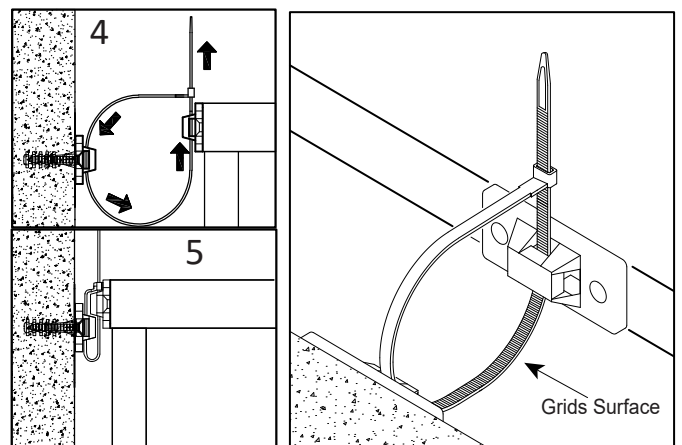
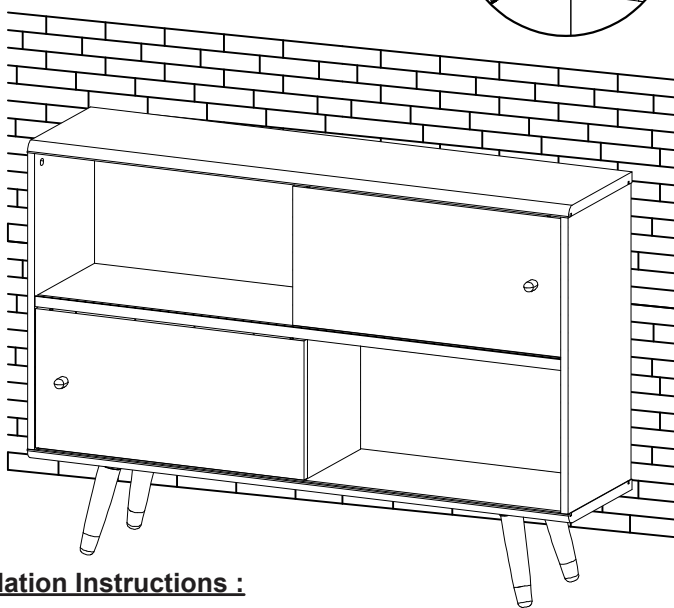
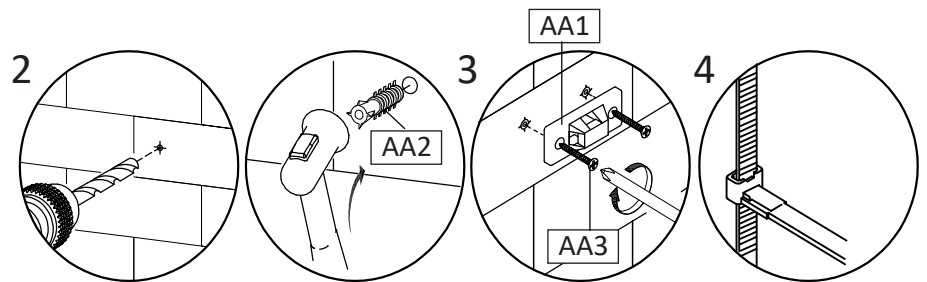
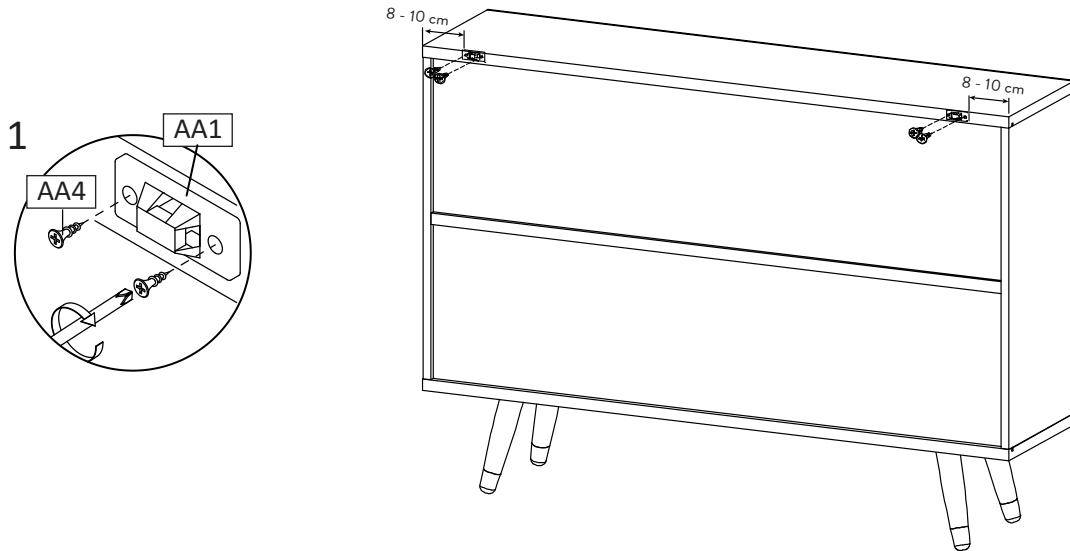
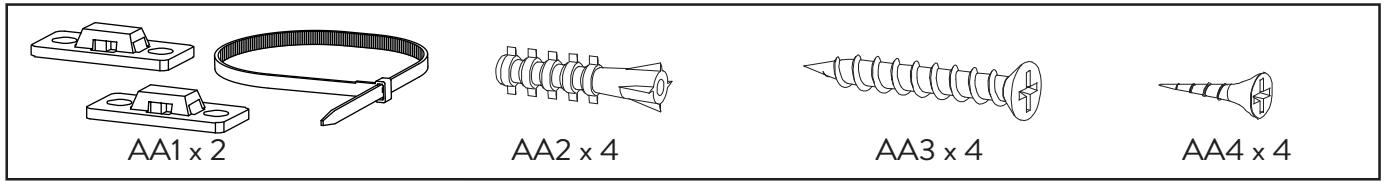


TIPPING RESTRAINTS KIT INSTALLATION GUIDANCE

Different wall materials require unique wall fasteners.

The wall plugs (AA2) and screws (AA3) are designed for fixing to concrete walls only.

Please consult your local hardware store to ensure you are using the correct hardware for your wall type.



Installation Instructions :

1. Attach bracket (AA1) securely to the back top of the furniture using screw (AA4) provided. Allow 8 - 10 cm from each side.
2. Please make a hole for wall plugs position on the wall and minimum 15 mm below bracket secured to the back of unit attach the wall plugs (AA2).
3. Locate the other bracket (AA1) on the wall over wall plugs (AA2). Place furniture into position so both brackets (AA1) are vertically in the line.
4. Lace the end of the restraints strap through the larger hole in each bracket. Ensure the restraints strap with grids surface facing the inner loops. Bring both ends together and slide the flat end through the locking end and draw it through until all slack is removed.
5. Make sure that the strap is securely laced & locked.