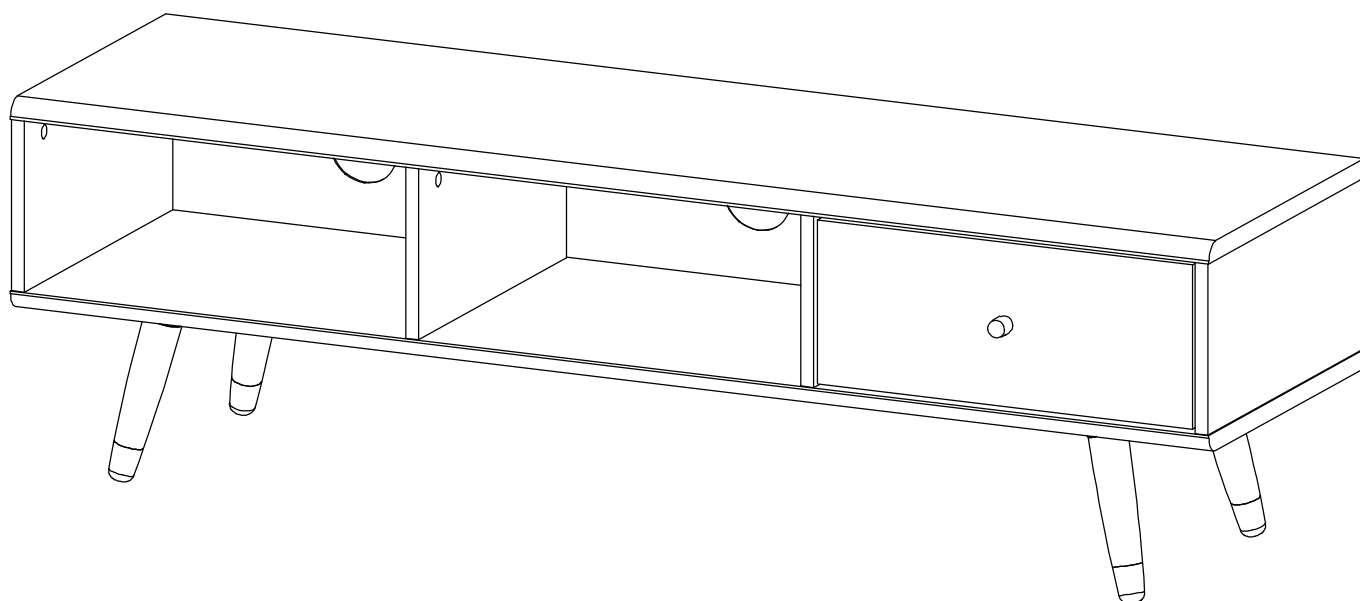


# Assembly Instructions

## BOUTIQUE TV STAND 140

### 520465



Keep these instructions for future reference

# WARNING

Read instructions carefully. Check no parts are missing.

Assemble the furniture on a soft level surface to avoid damaging the furniture or your floor.

Carefully identify each component, especially those that are similar.

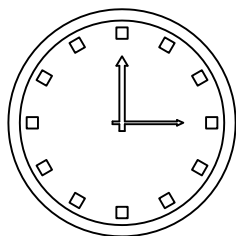
The most common mistake is getting things back to front.

Separate and identify each component from the hardware pack and rest each one in it's proper location before fastening.

We recommend furniture be assembled near where they will be placed, to avoid moving the product unnecessarily once assembled.

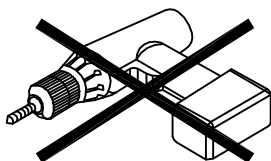
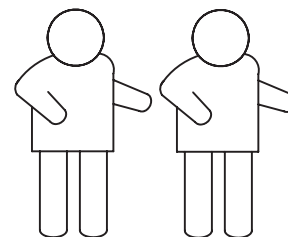
If there is a need to move the furniture, please remove all loose items and have extra hands to help lift the furniture to the desired location. Dragging the furniture will damage both the furniture and the floor.

Regularly check and re-tighten (if necessary) all bolts on furniture that you have assembled yourself.



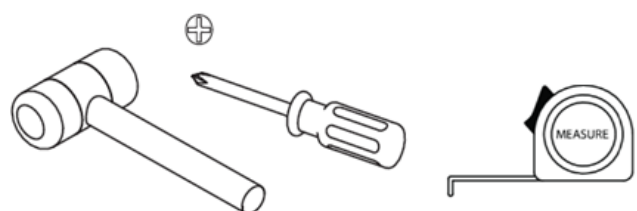
ALLOW 60 MIN

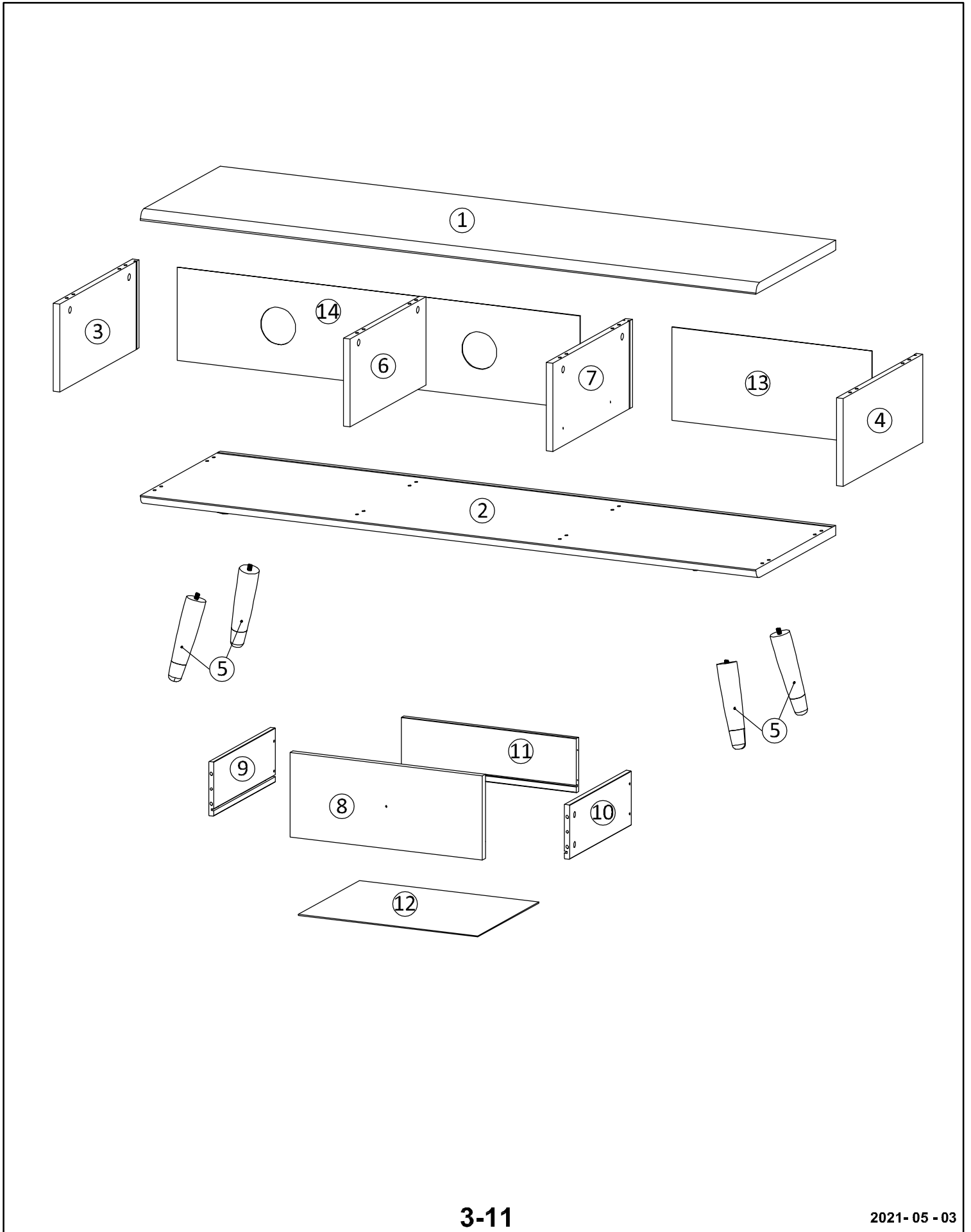
2 Persons Required



**DO NOT USE ON PRODUCT**








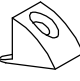

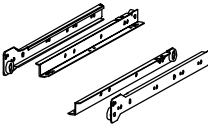






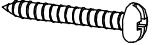
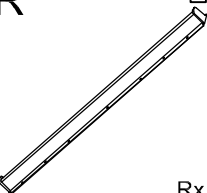

Tools Required



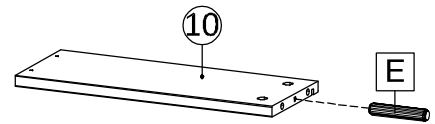
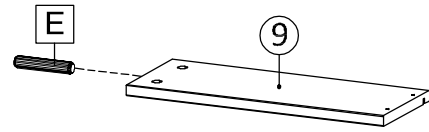
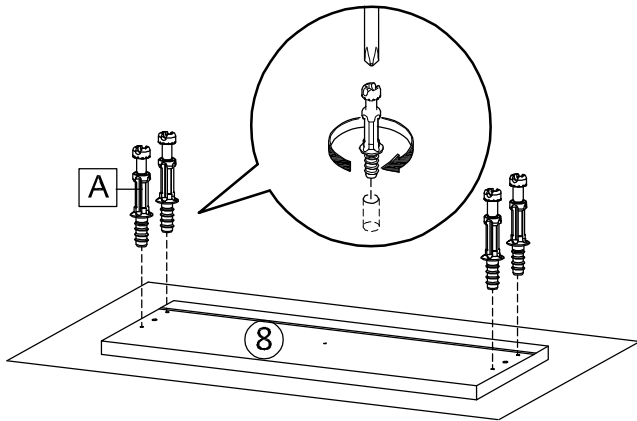


# CHECKLIST

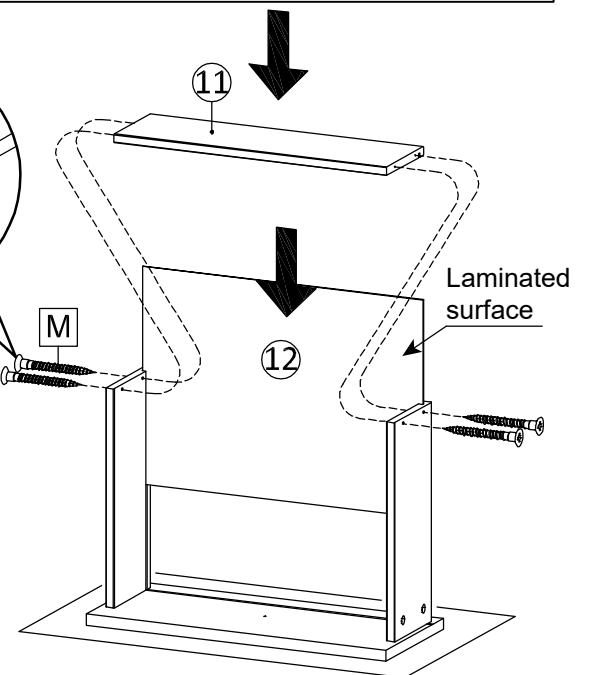
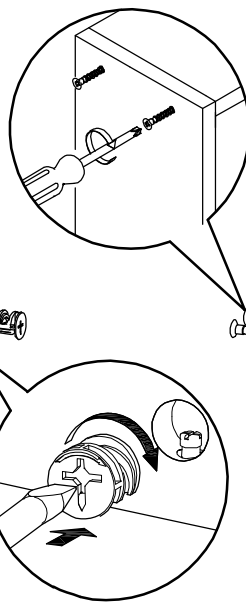
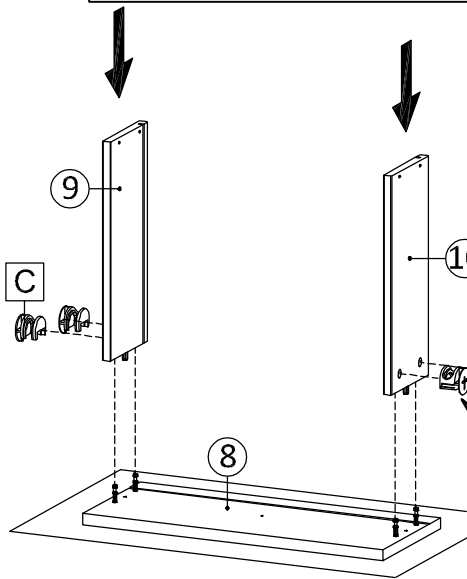


<p><b>A</b> <input type="checkbox"/></p>  <p>Ø6x35mm Ax12</p>	<p><b>B</b> <input type="checkbox"/></p>  <p>Ø15mm Bx8</p>	<p><b>C</b> <input type="checkbox"/></p>  <p>Ø12mm Cx4</p>	<p><b>D</b> <input type="checkbox"/></p>  <p>Ø8x32mm Dx16</p>	<p><b>E</b> <input type="checkbox"/></p>  <p>Ø6x30mm Ex2</p>
<p><b>F</b> <input type="checkbox"/></p>  <p>M7x50mm Fx8</p>	<p><b>G</b> <input type="checkbox"/></p>  <p>L 4 Gx1</p>	<p><b>H</b> <input type="checkbox"/></p>  <p>Hx14</p>	<p><b>I</b> <input type="checkbox"/></p>  <p>M3.5x15.5mm Ix14</p>	<p><b>J</b> <input type="checkbox"/></p>  <p>300mm Jx1</p>
<p><b>K</b> <input type="checkbox"/></p>  <p>M6x10.5mm Kx18</p>	<p><b>L</b> <input type="checkbox"/></p>  <p>M3.5x13mm Lx6</p>	<p><b>M</b> <input type="checkbox"/></p>  <p>M8x39mm Mx4</p>	<p><b>N</b> <input type="checkbox"/></p>  <p>M4.5x12.5mm Nx20</p>	<p><b>O</b> <input type="checkbox"/></p>  <p>Ox4</p>
<p><b>P</b> <input type="checkbox"/></p>  <p>Px1</p>	<p><b>Q</b> <input type="checkbox"/></p>  <p>M3.5x25mm Qx1</p>	<p><b>R</b> <input type="checkbox"/></p>  <p>Rx1</p>	<p><b>S</b> <input type="checkbox"/></p>  <p>Sx4</p>	

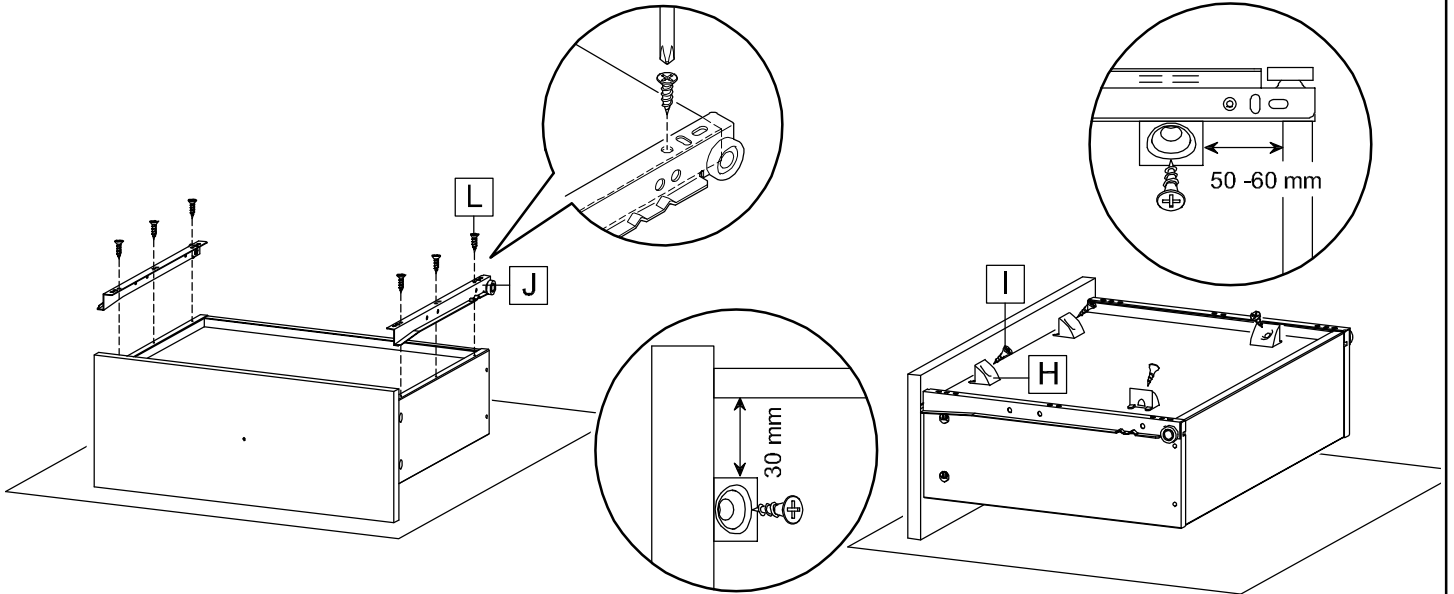
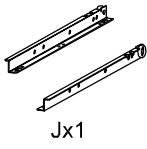
1



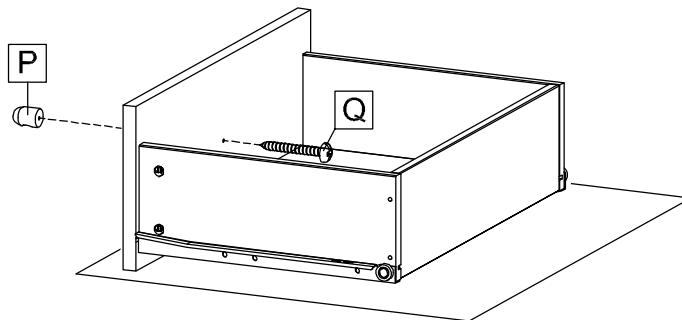
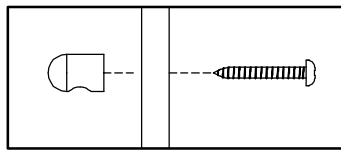
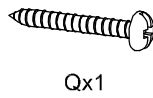
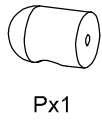
2



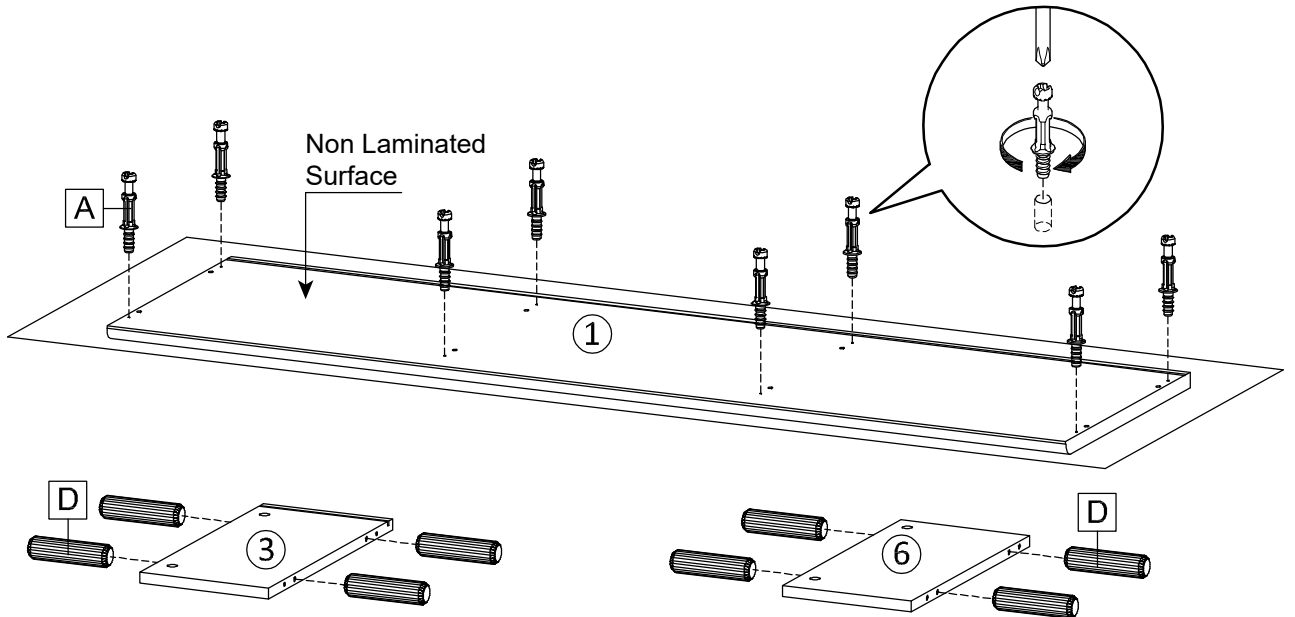
# 3



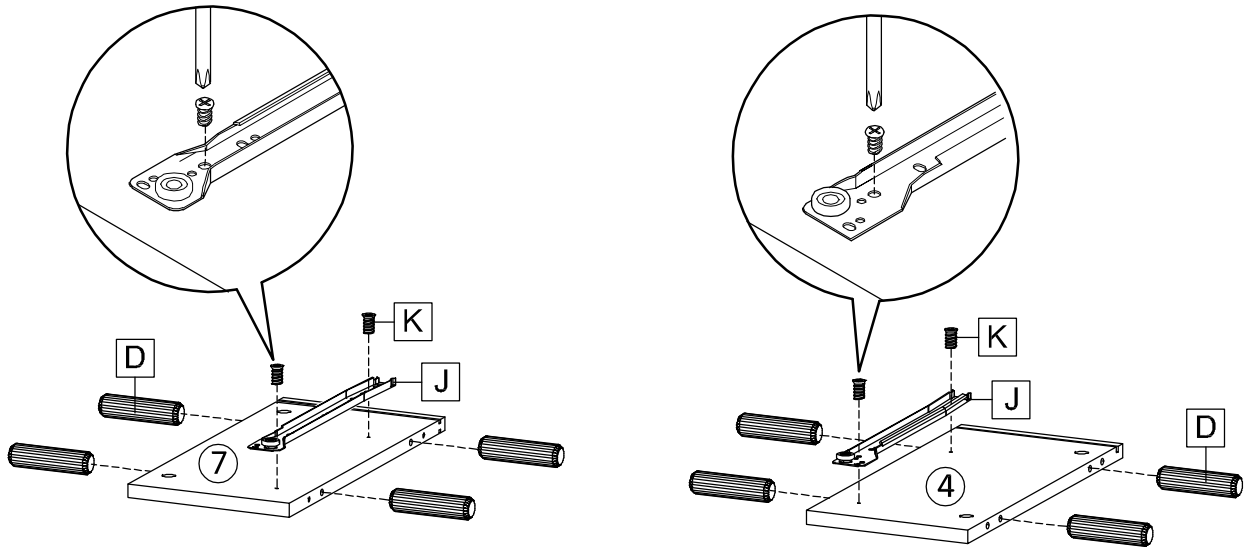
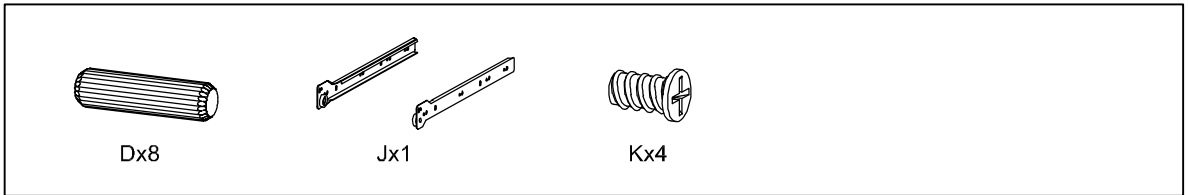
# 4



# 5



# 6



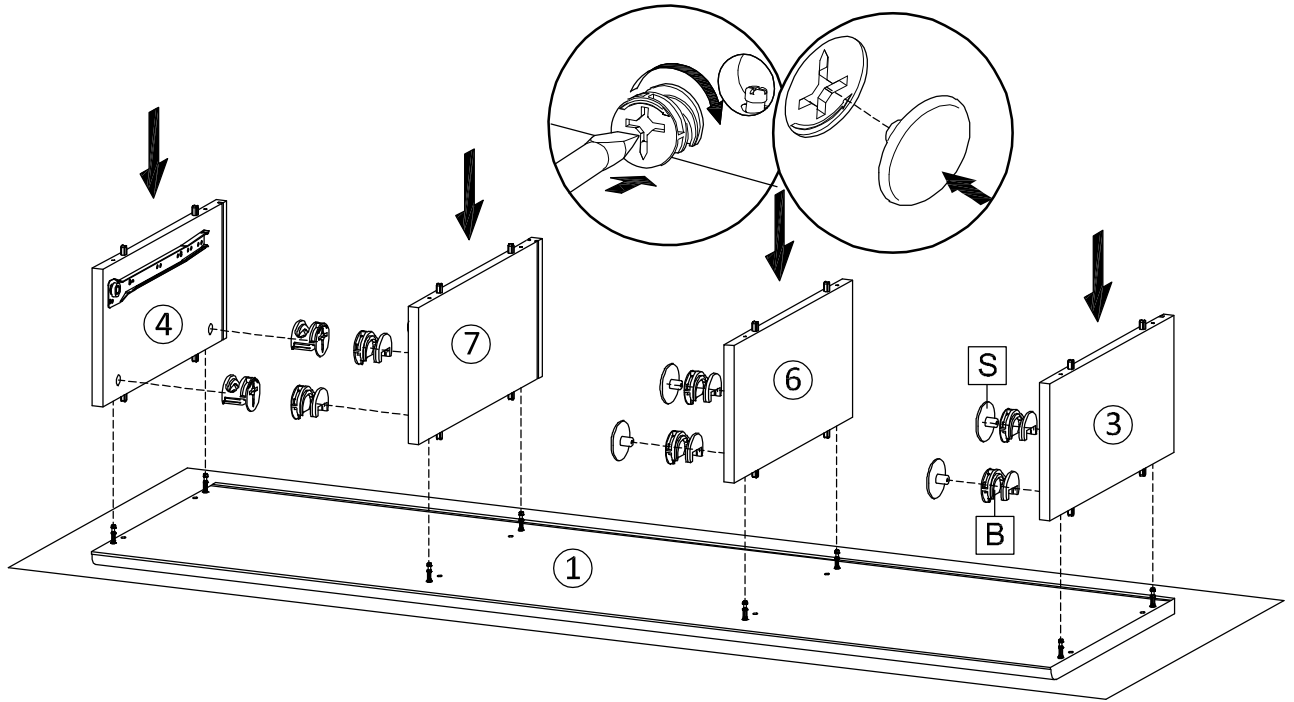
# 7



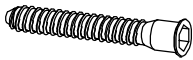
Bx8



Sx4



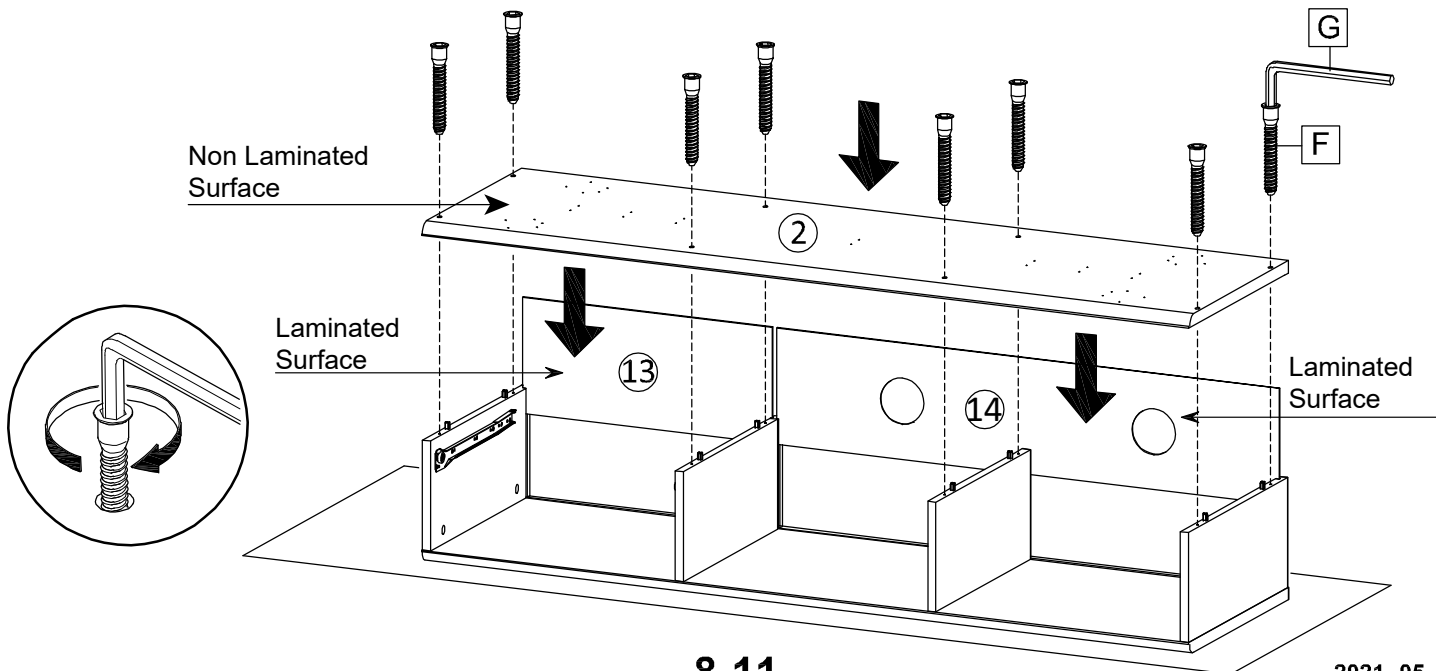
# 8



Fx8



Gx1





# 9

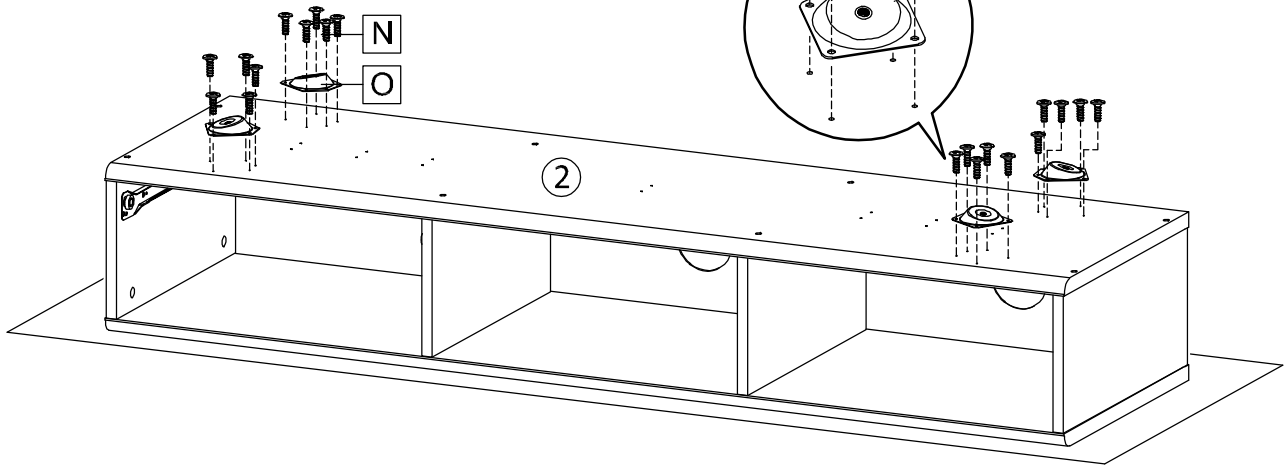
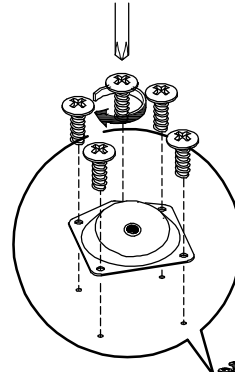


Nx20



Ox4

**Attention on Leg Assembly Position**



# 10

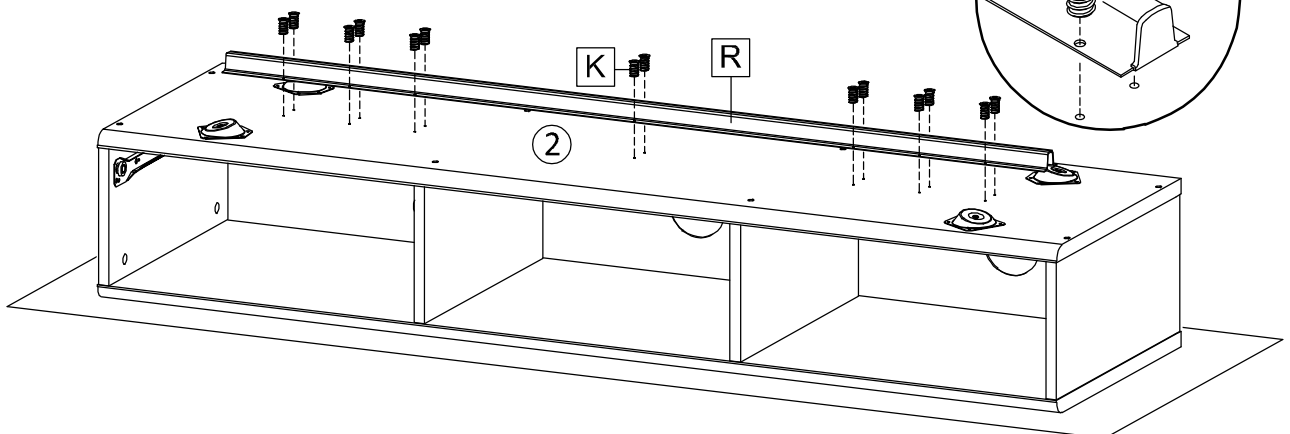
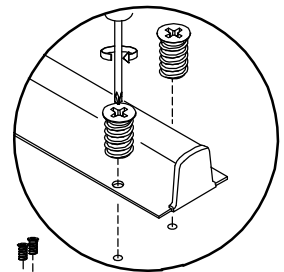


Kx14

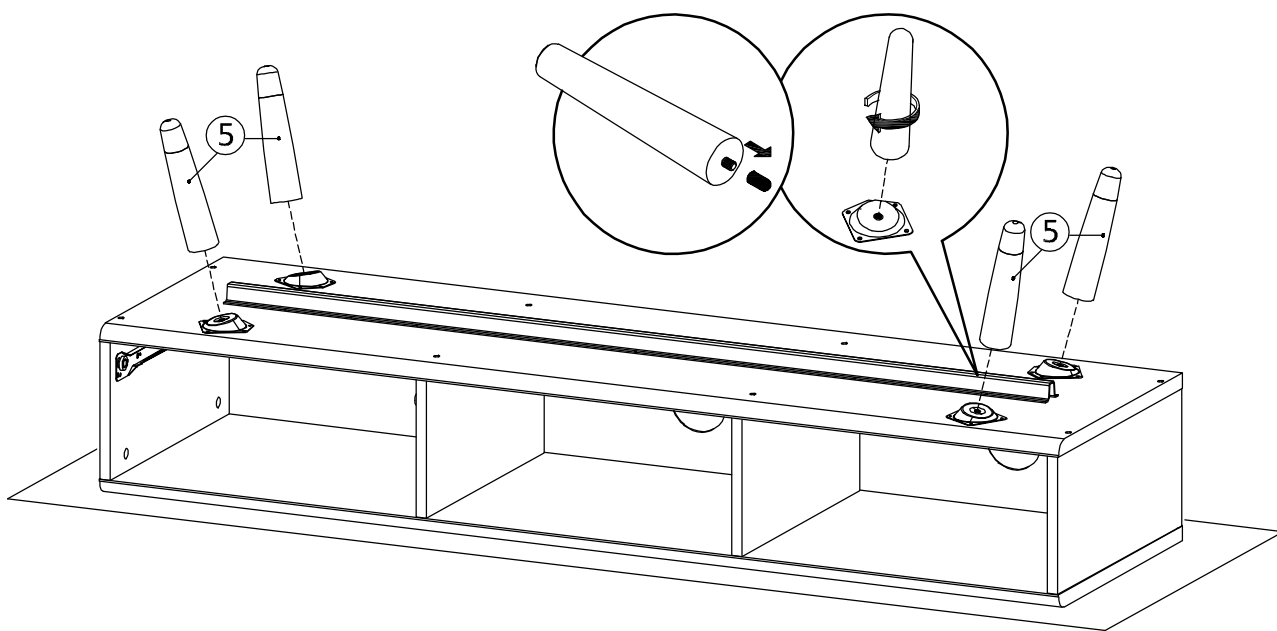


Rx1

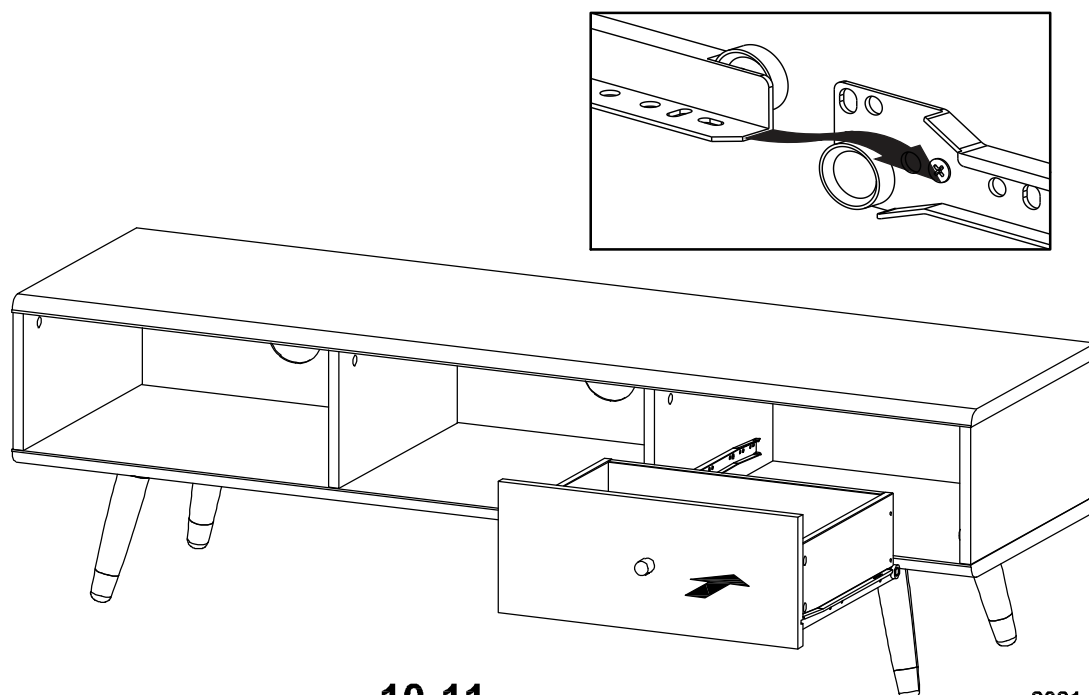
**Attention on Leg Assembly Position**



11



12



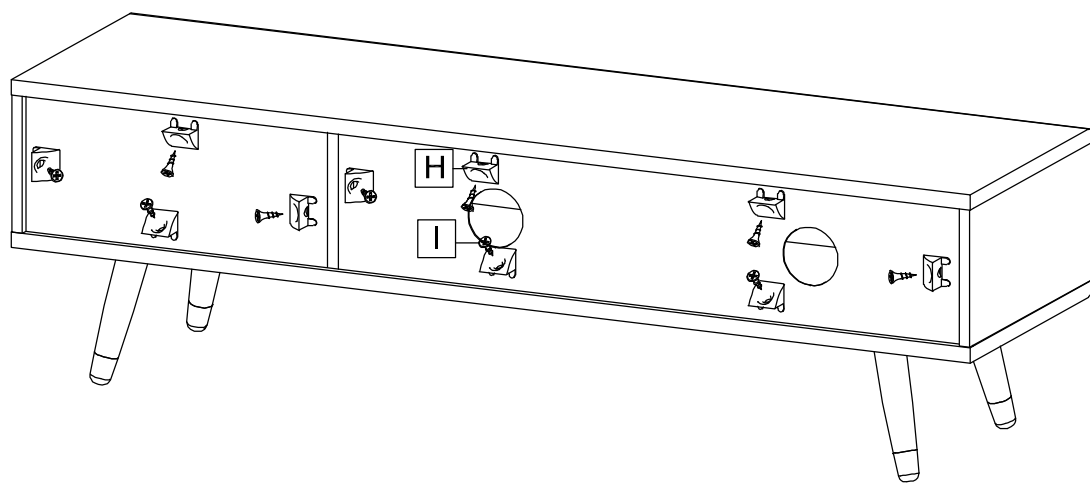
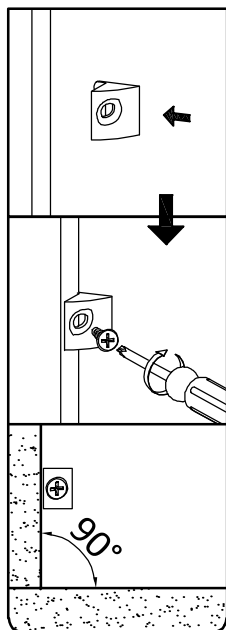
# 13



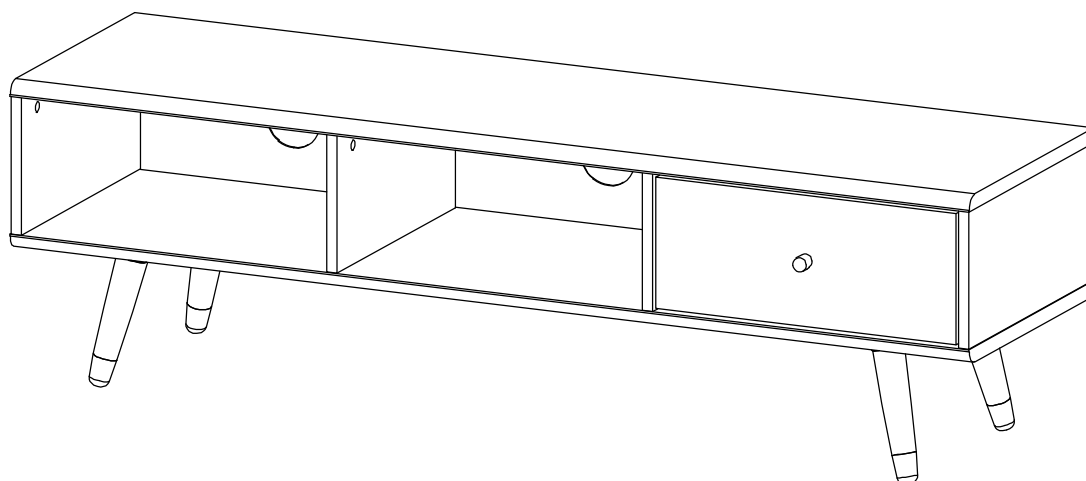
Hx10



lx10



# 14

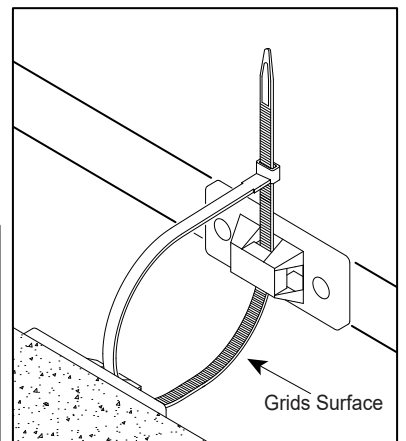
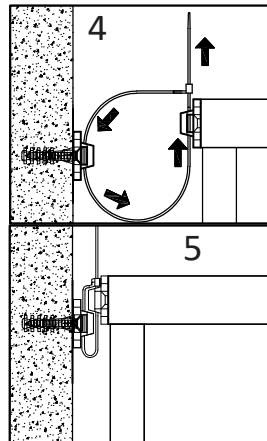
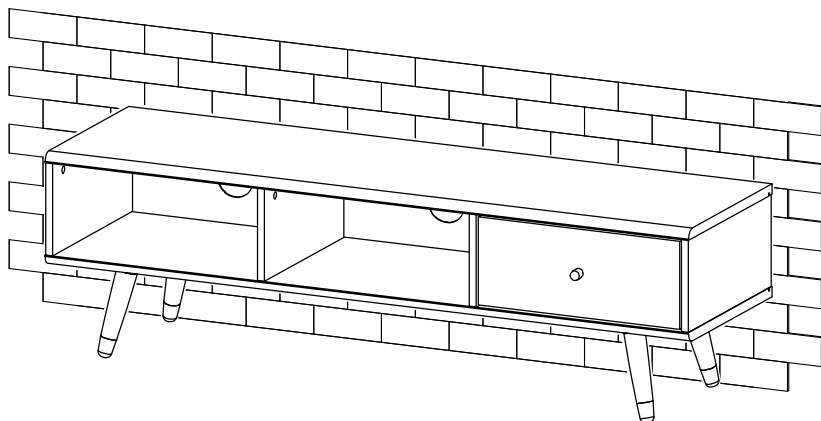
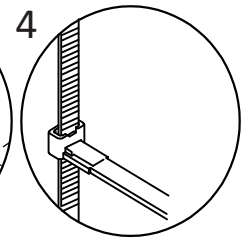
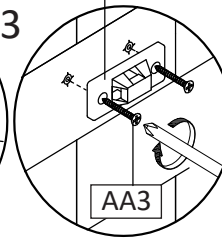
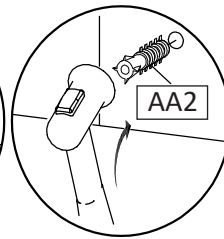
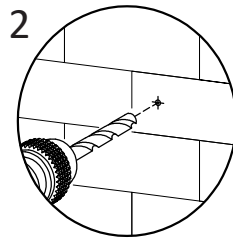
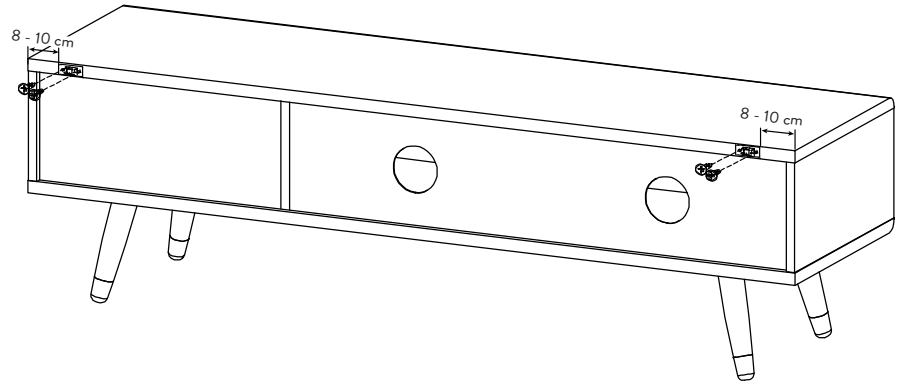
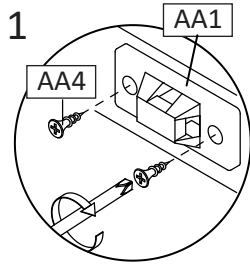
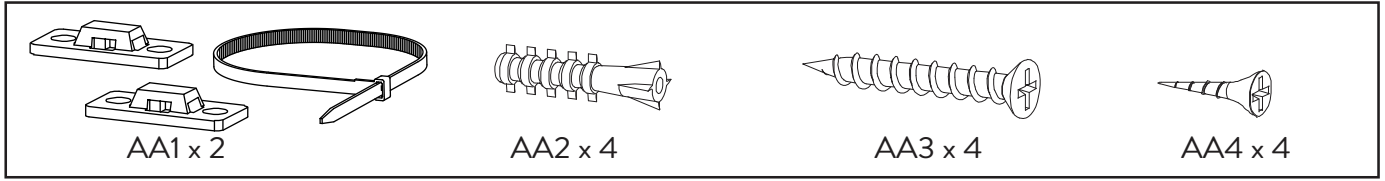


# TIPPING RESTRAINTS KIT INSTALLATION GUIDANCE

Different wall materials require unique wall fasteners.

The wall plugs (AA2) and screws (AA3) are designed for fixing to concrete walls only.

Please consult your local hardware store to ensure you are using the correct hardware for your wall type.



## **Installation Instructions :**

1. Attach bracket (AA1) securely to the back top of the furniture using screw (AA4) provided. Allow 8 - 10 cm from each side.
2. Please make a hole for wall plugs position on the wall and minimum 15 mm below bracket secured to the back of unit attach the wall plugs (AA2).
3. Locate the other bracket (AA1) on the wall over wall plugs (AA2). Place furniture into position so both brackets (AA1) are vertically in the line.
4. Lace the end of the restraints strap through the larger hole in each bracket. Ensure the restraints strap with grids surface facing the inner loops. Bring both ends together and slide the flat end through the locking end and draw it through until all slack is removed.
5. Make sure that the strap is securely laced & locked.