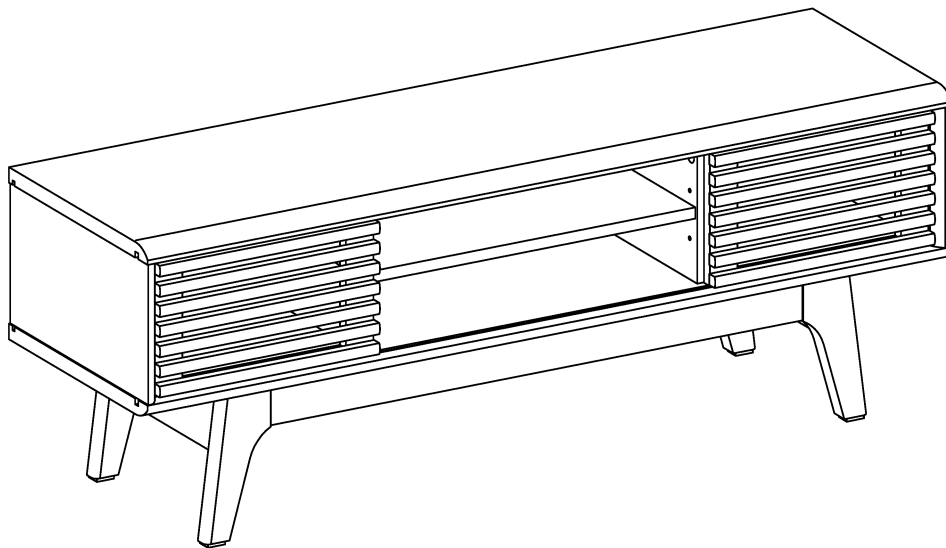


**ASSEMBLY INSTRUCTION
BRUNSWICK 120 TV
STAND 520977**



Keep these instructions for future reference

WARNING

Read instructions carefully. Check no parts are missing.

Assemble the furniture on a soft level surface to avoid damaging the furniture or your floor.

Carefully identify each component, especially those that are similar.

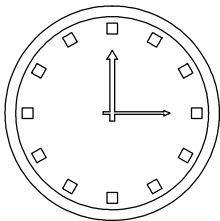
The most common mistake is getting things back to front.

Separate and identify each component from the hardware pack and rest each one in it's proper location before fastening.

We recommend furniture be assembled near where they will be placed, to avoid moving the product unnecessarily once assembled.

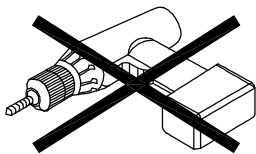
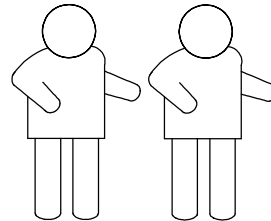
If there is a need to move the furniture, please remove all loose items and have extra hands to help lift the furniture to the desired location. Dragging the furniture will damage both the furniture and the floor.

Regularly check and re-tighten (if necessary) all bolts on furniture that you have assembled yourself.



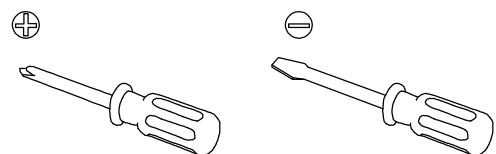
ALLOW 45 MIN

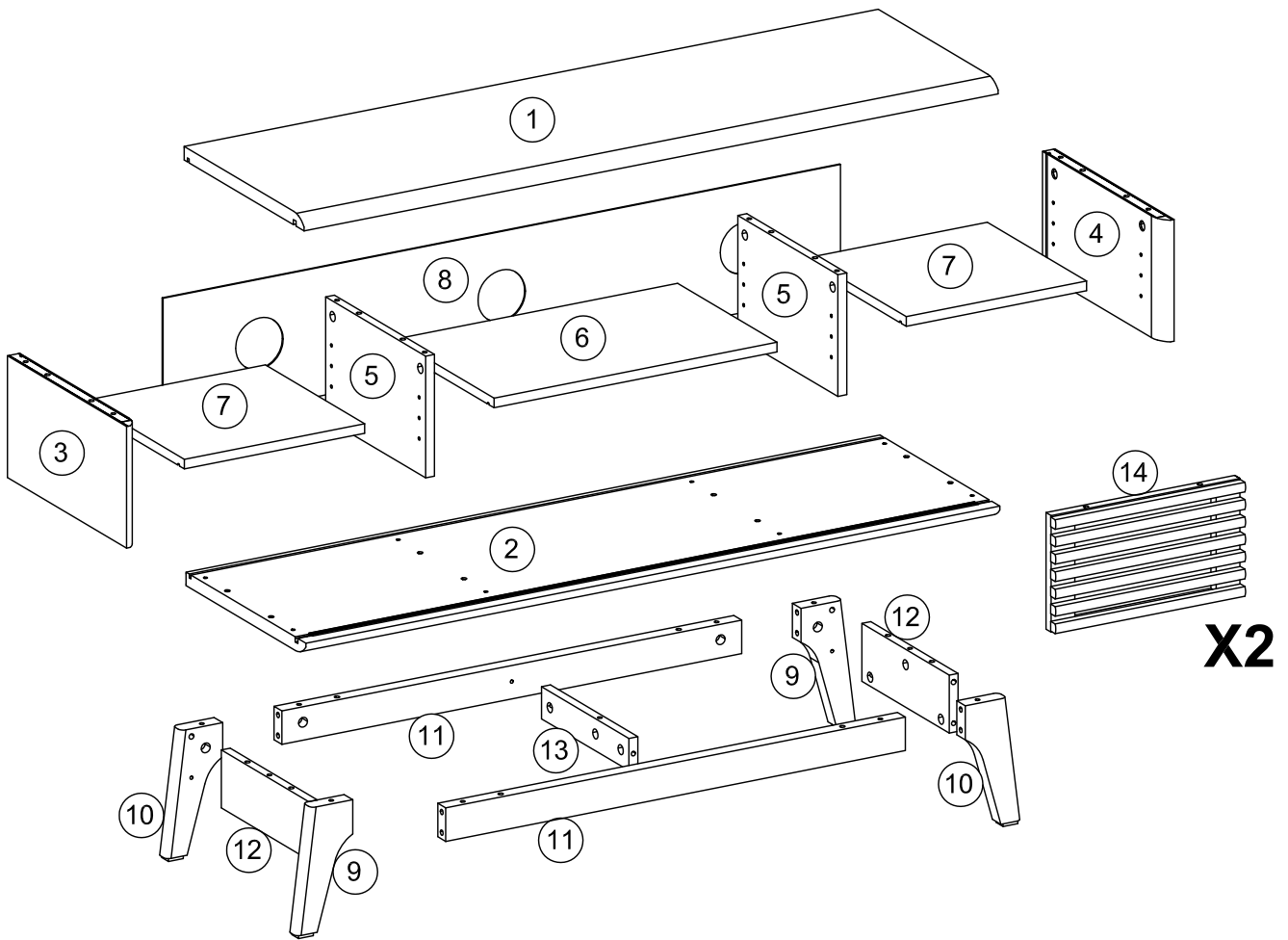
2 Persons Required



DO NOT USE ON PRODUCT


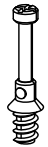
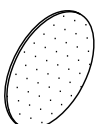





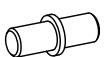

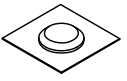

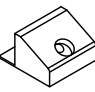

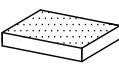
Tools Required



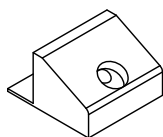
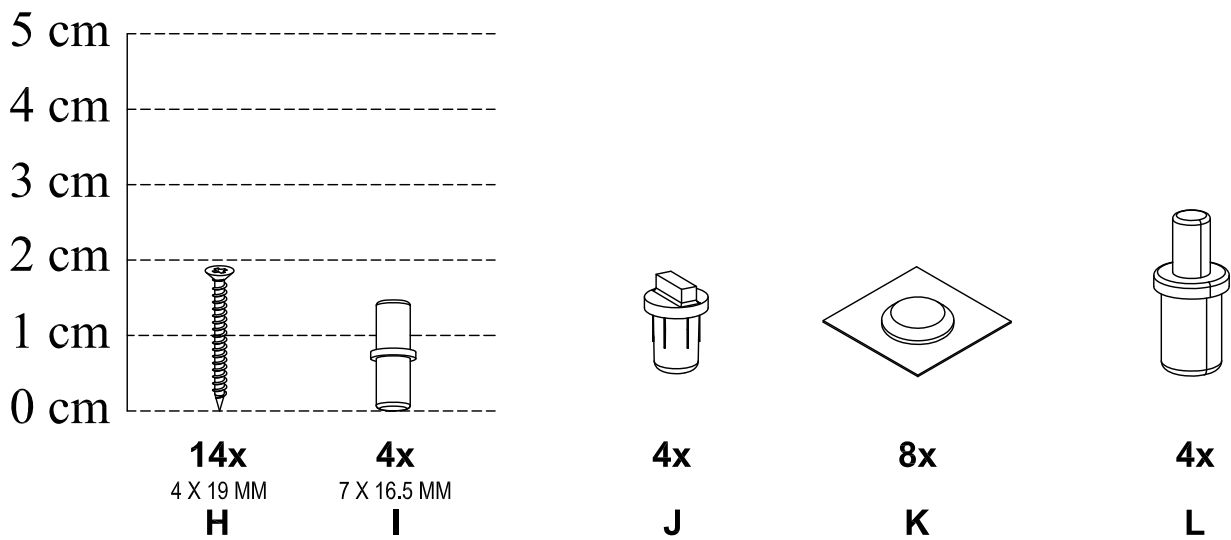
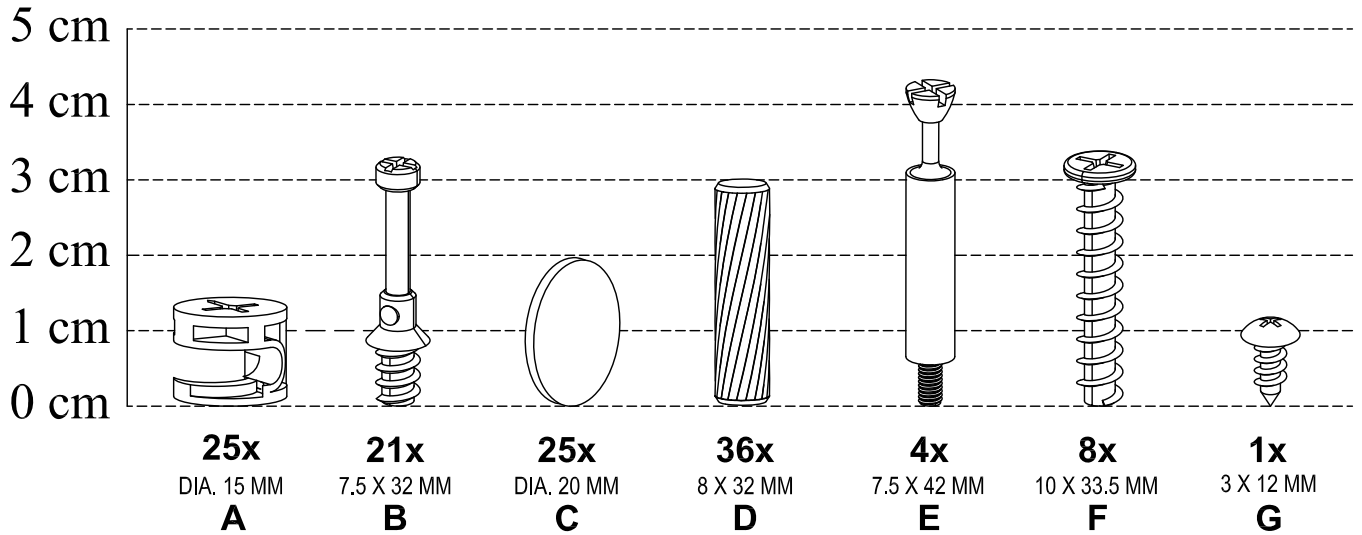


CHECK LIST

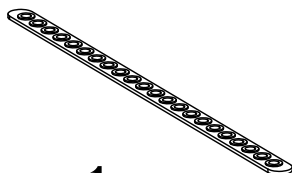


<p>A <input type="checkbox"/></p>  <p>Ø15 mm Ax25</p>	<p>B <input type="checkbox"/></p>  <p>Ø7,5x32 mm Bx21</p>	<p>C <input type="checkbox"/></p>  <p>Ø20 mm Cx25</p>	<p>D <input type="checkbox"/></p>  <p>Ø8x32 mm Dx36</p>	<p>E <input type="checkbox"/></p>  <p>Ø7,5x40 mm Ex4</p>
<p>F <input type="checkbox"/></p>  <p>M10x33,5 mm Fx8</p>	<p>G <input type="checkbox"/></p>  <p>M3x12 mm Gx1</p>	<p>H <input type="checkbox"/></p>  <p>M4x19 mm Hx14</p>	<p>I <input type="checkbox"/></p>  <p>lx12</p>	<p>J <input type="checkbox"/></p>  <p>Jx4</p>
<p>K <input type="checkbox"/></p>  <p>Kx8</p>	<p>L <input type="checkbox"/></p>  <p>Lx4</p>	<p>M <input type="checkbox"/></p>  <p>Mx14</p>	<p>N <input type="checkbox"/></p>  <p>Nx1</p>	<p>O <input type="checkbox"/></p>  <p>Ox4</p>

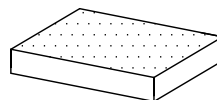
HARDWARE LIST



14x
M

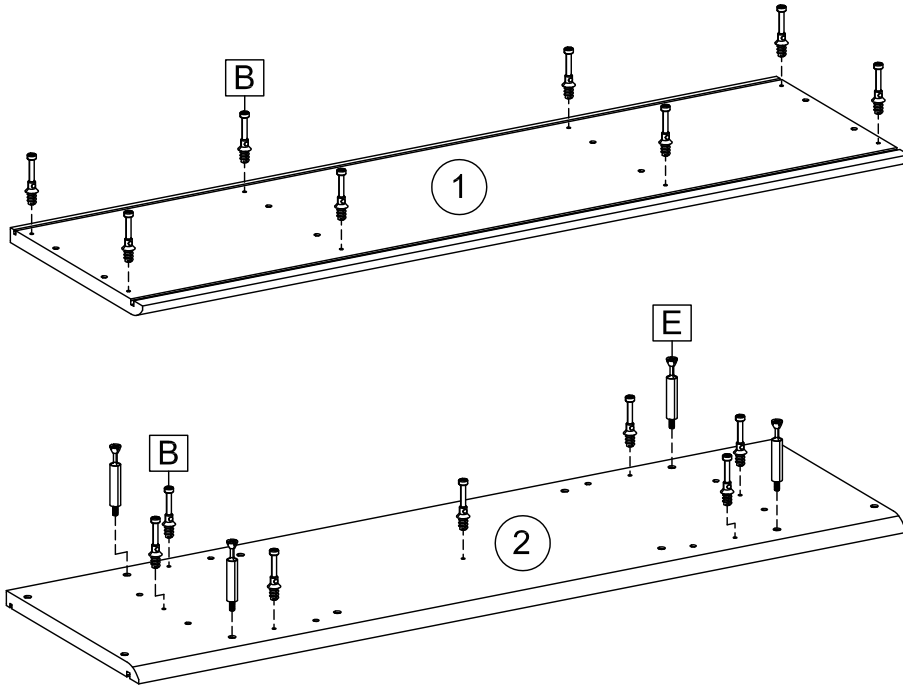
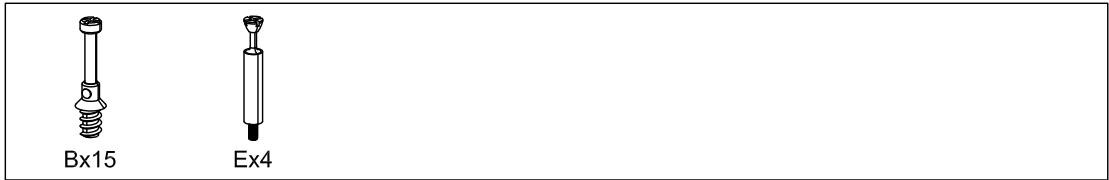


1x
N

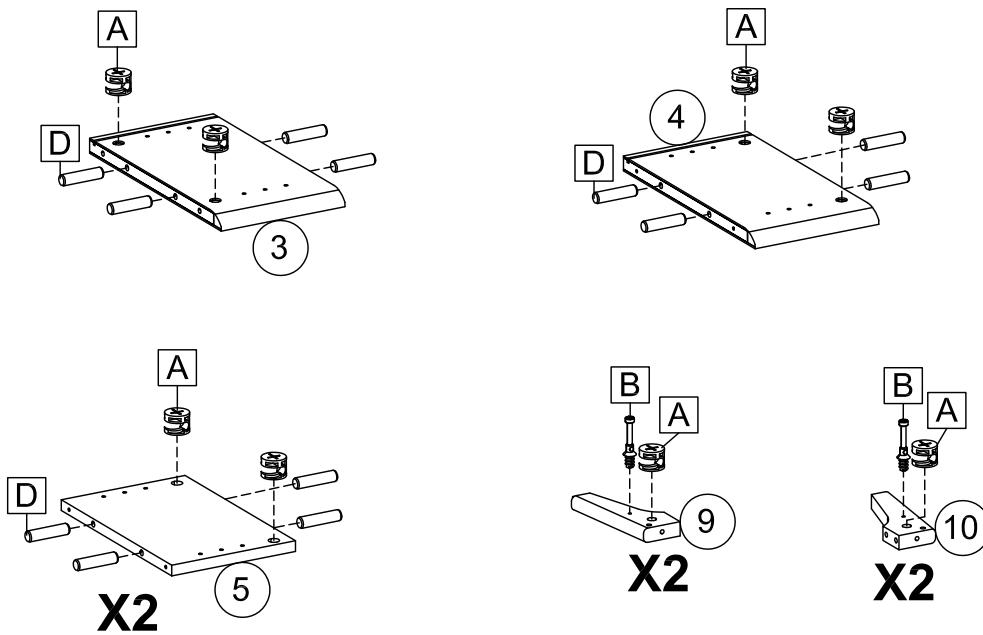
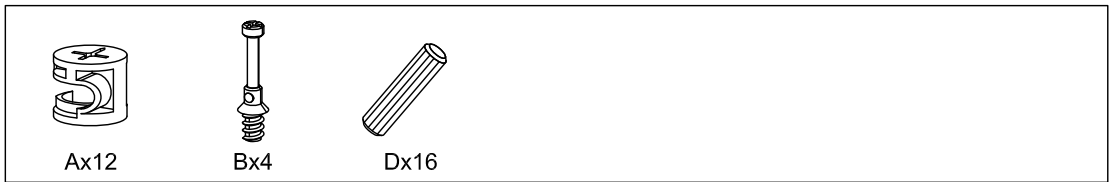


4x
O

1



2



3



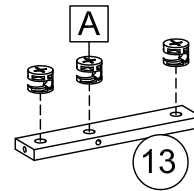
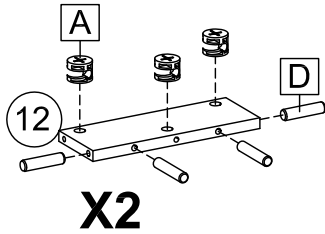
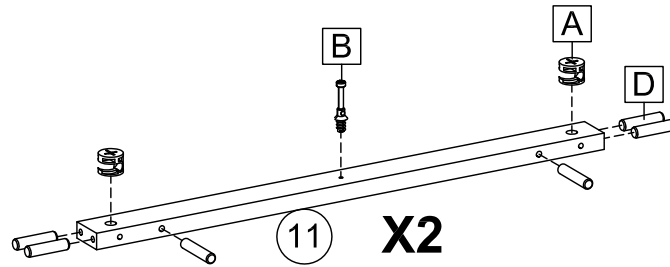
Ax13



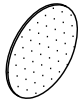
Bx2



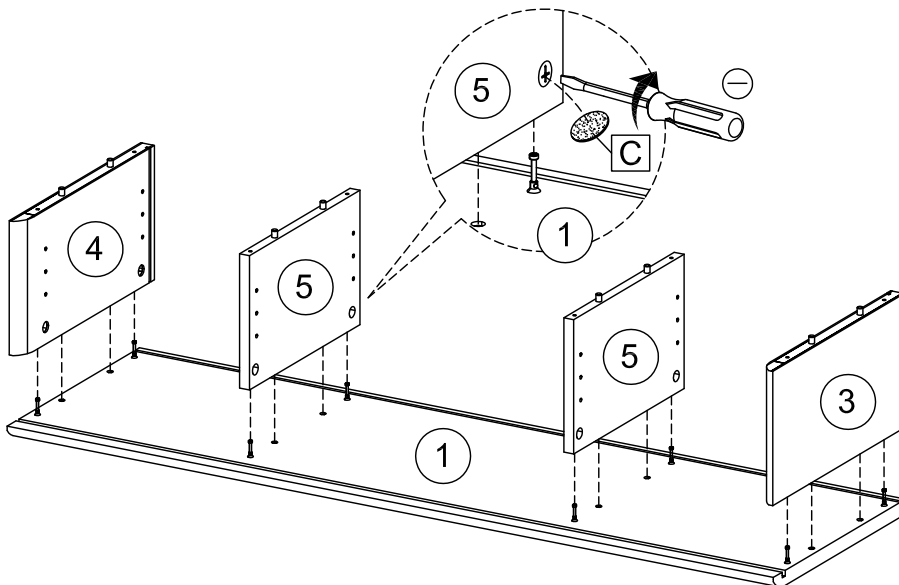
Dx20



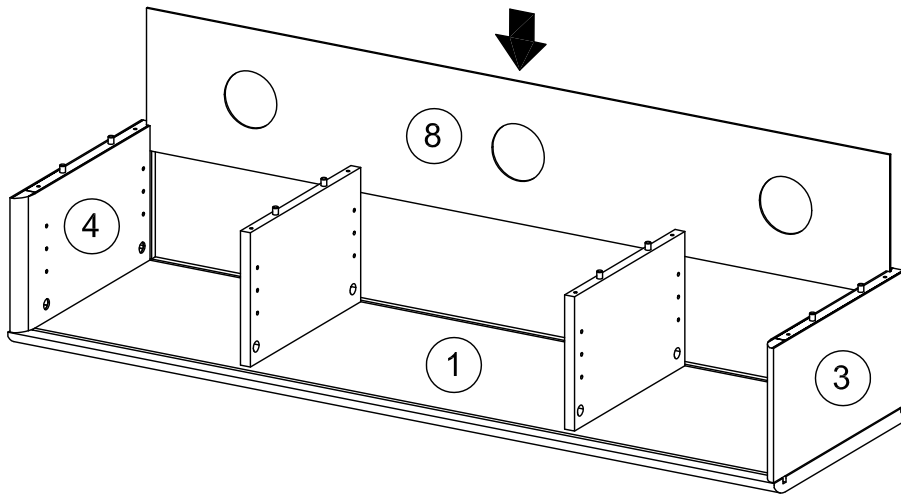
4



Cx8



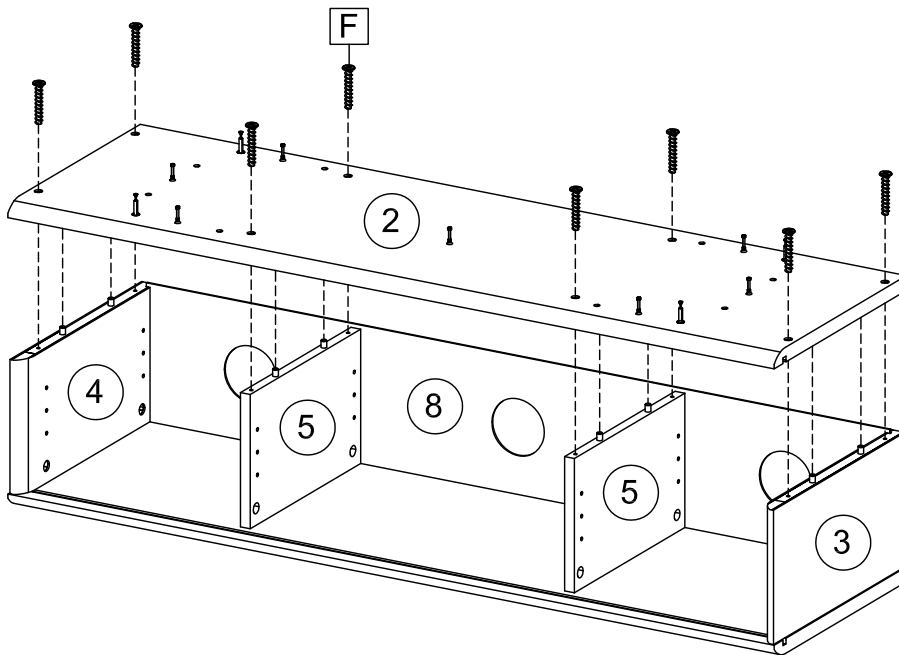
5



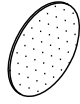
6



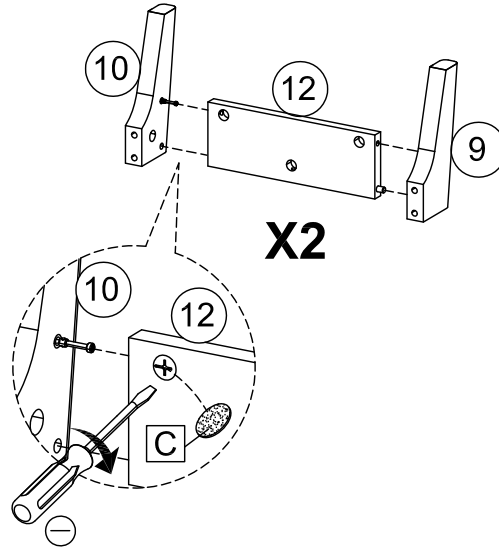
Fx8



7

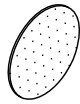


Cx4

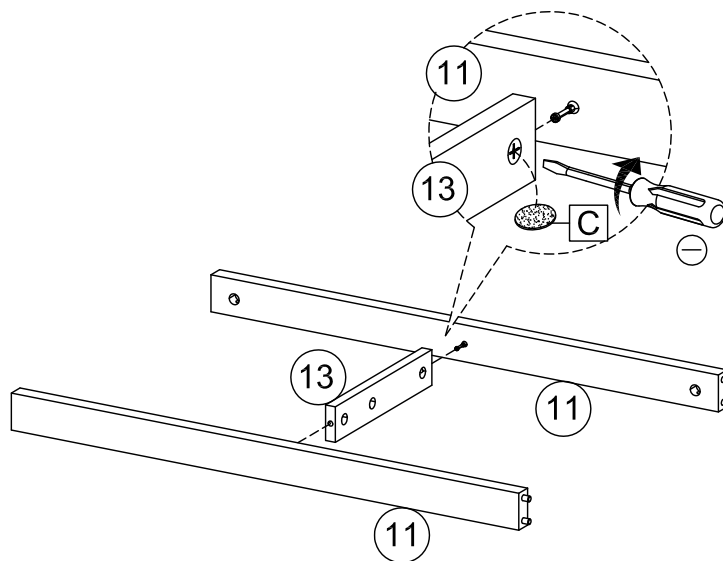


X2

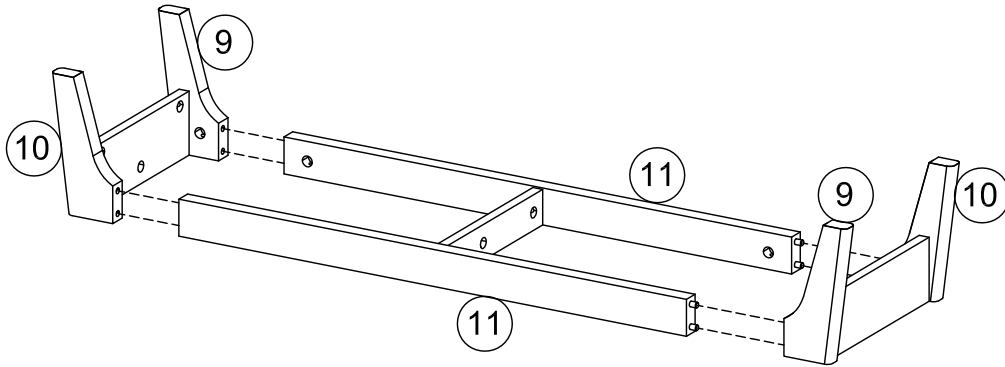
8



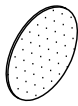
Cx2



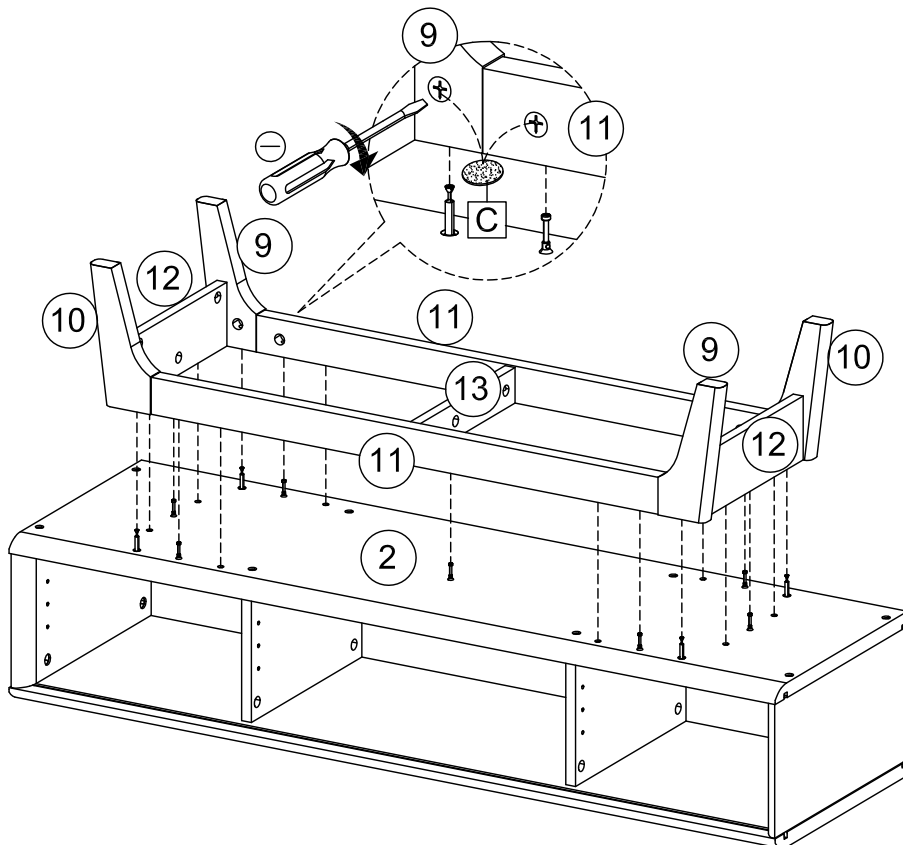
9



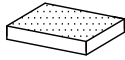
10



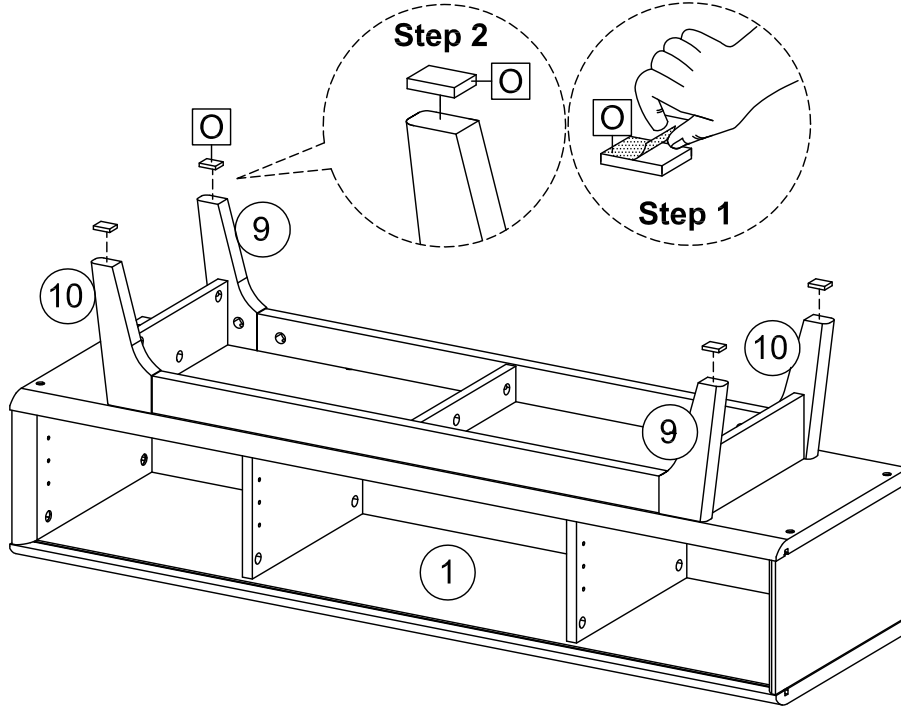
Cx11



11



Ox4



12



Gx1



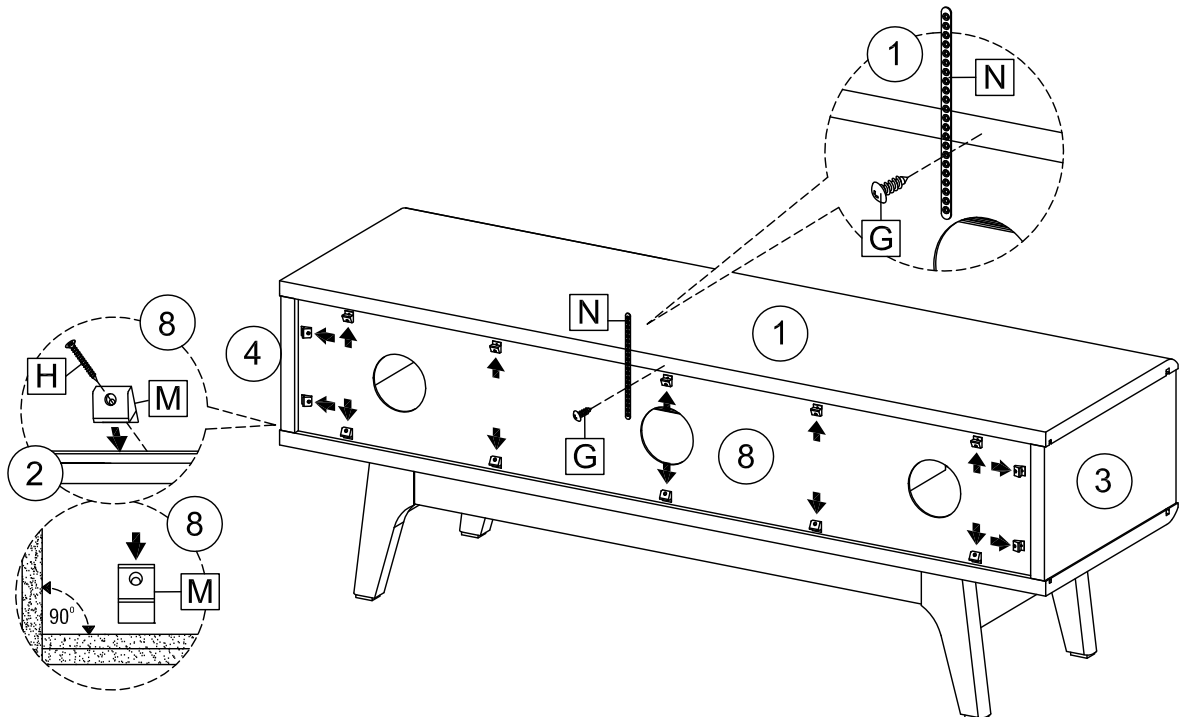
Hx14



Mx14



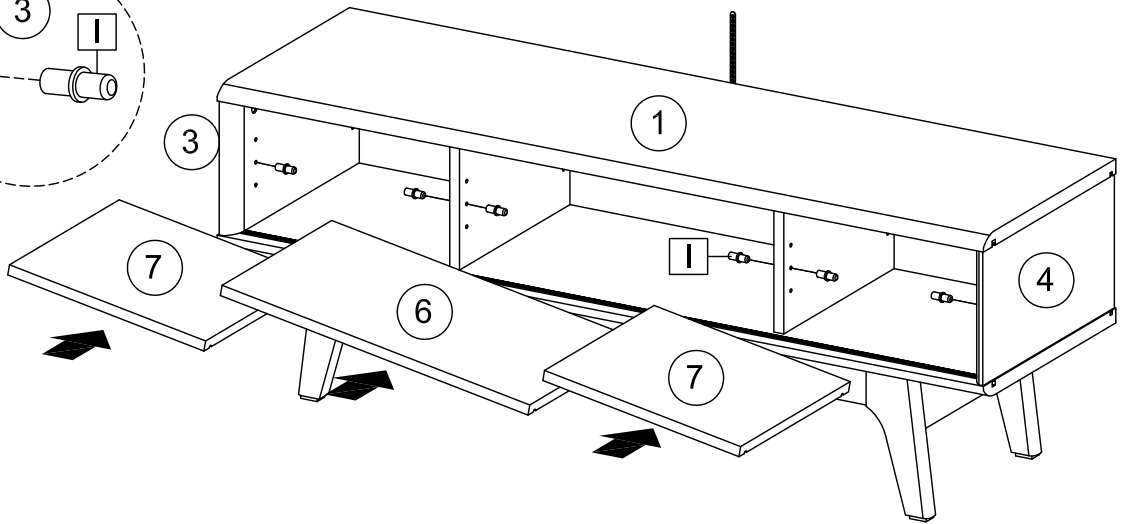
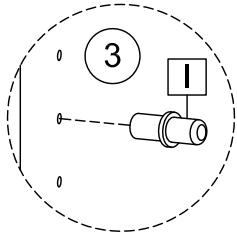
Nx1



13



Ix12



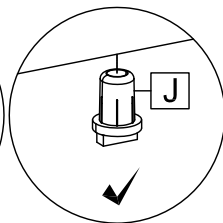
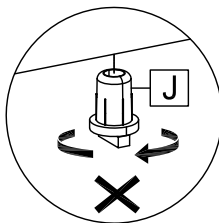
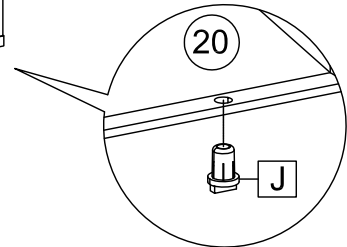
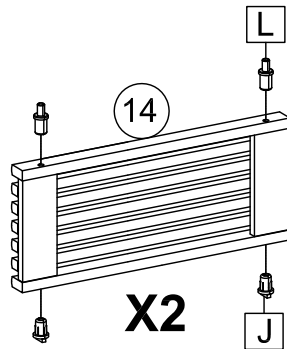
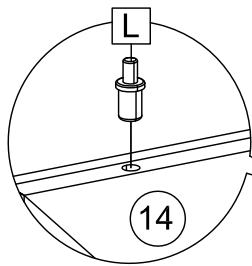
14



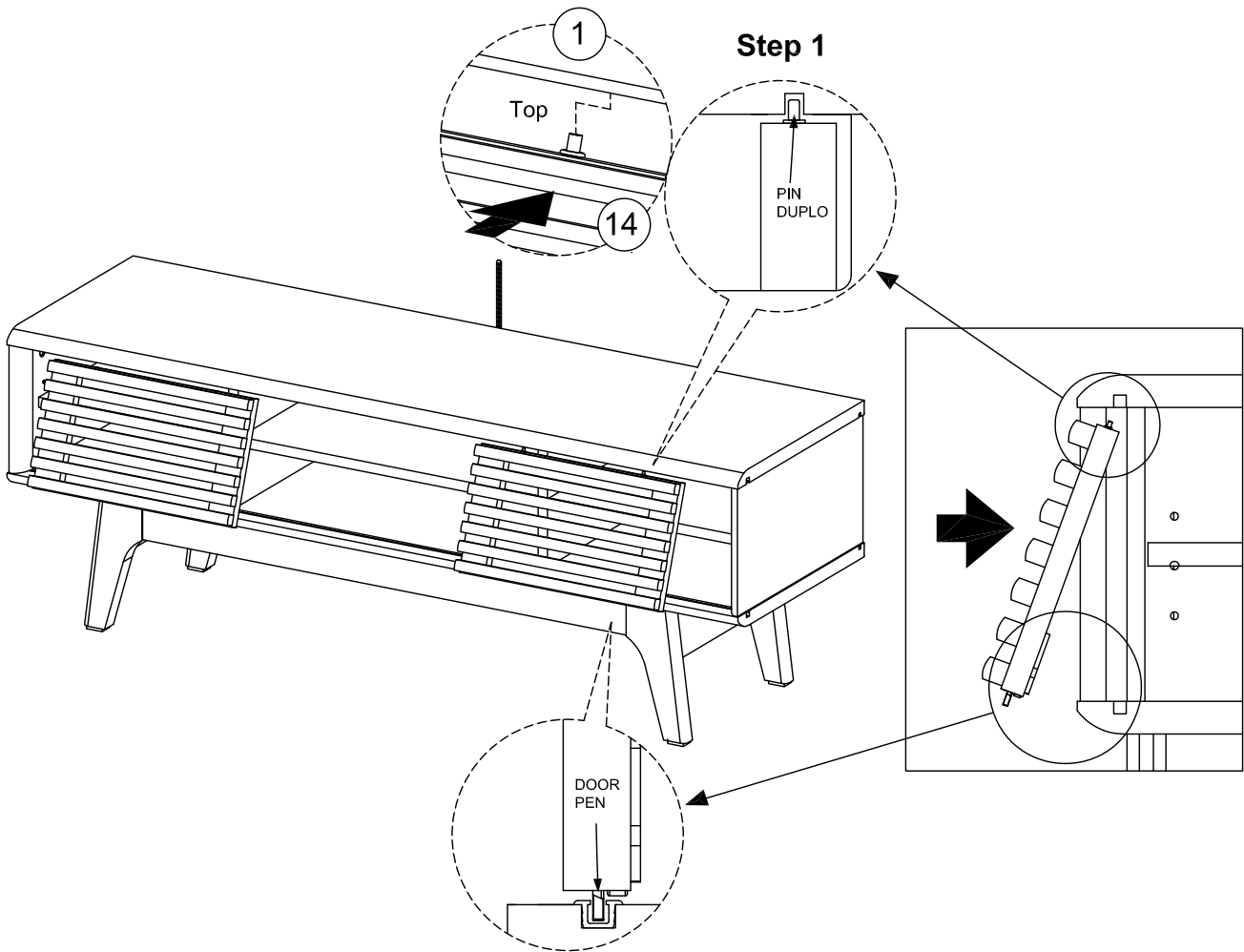
Jx4



Lx4



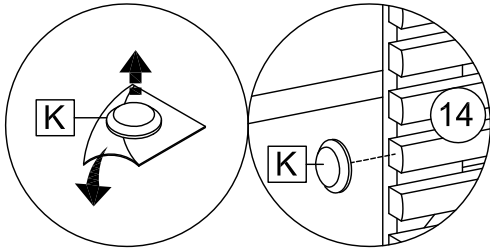
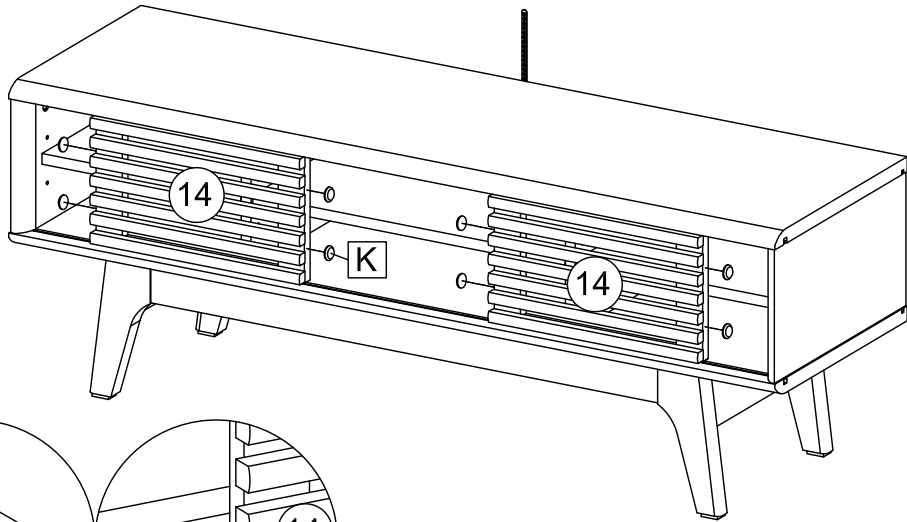
15



16



Kx8



17

