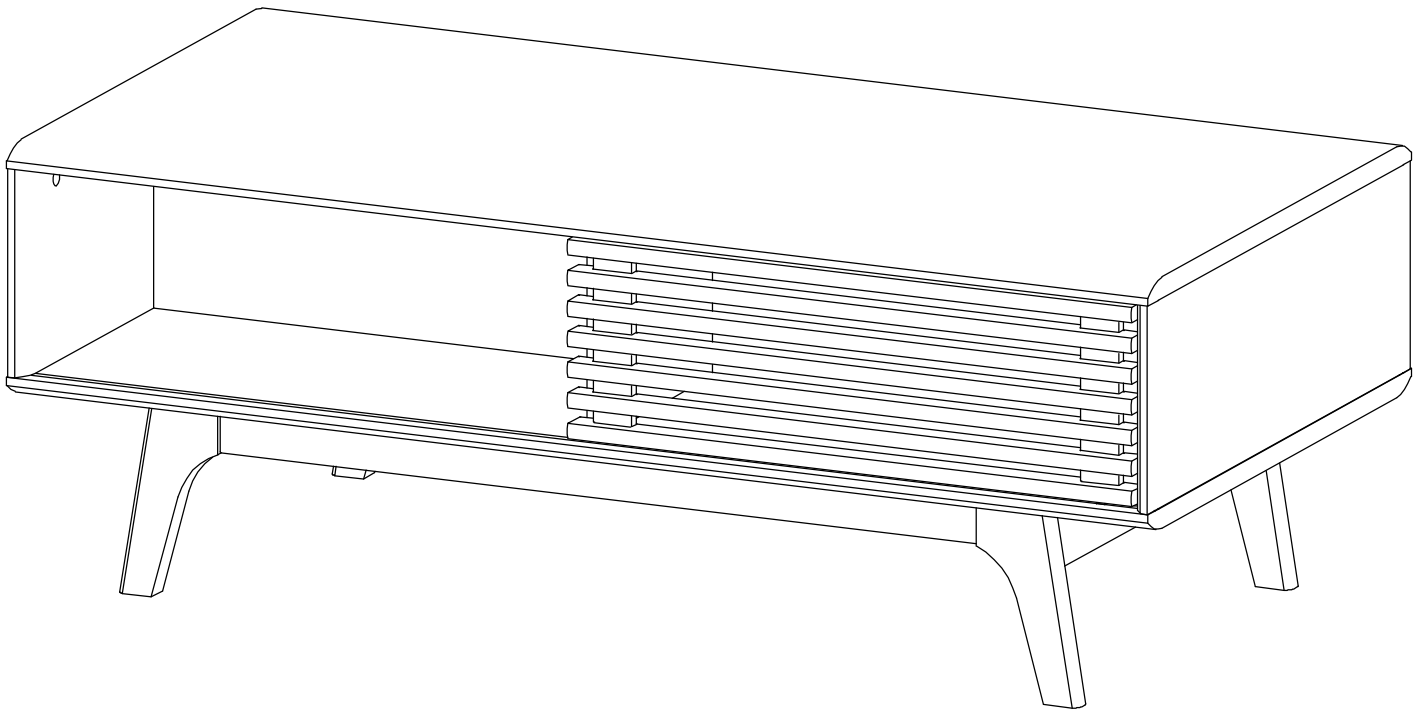


Assembly Instructions

COPEN COFFEE TABLE

519038



Keep these instructions for future reference

WARNING

Read instructions carefully. Check no parts are missing.

Assemble the furniture on a soft level surface to avoid damaging the furniture or your floor.

Carefully identify each component, especially those that are similar.

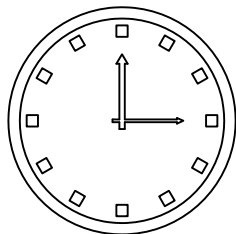
The most common mistake is getting things back to front.

Separate and identify each component from the hardware pack and rest each one in it's proper location before fastening.

We recommend furniture be assembled near where they will be placed, to avoid moving the product unnecessarily once assembled.

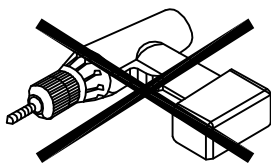
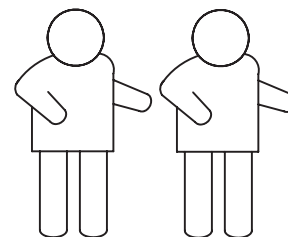
If there is a need to move the furniture, please remove all loose items and have extra hands to help lift the furniture to the desired location. Dragging the furniture will damage both the furniture and the floor.

Regularly check and re-tighten (if necessary) all bolts on furniture that you have assembled yourself.



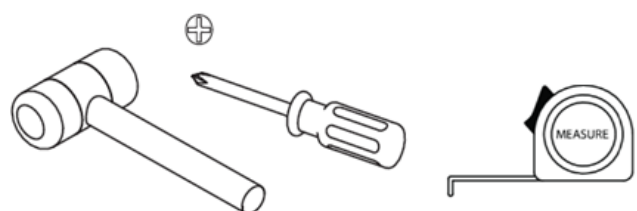
ALLOW 60 MIN

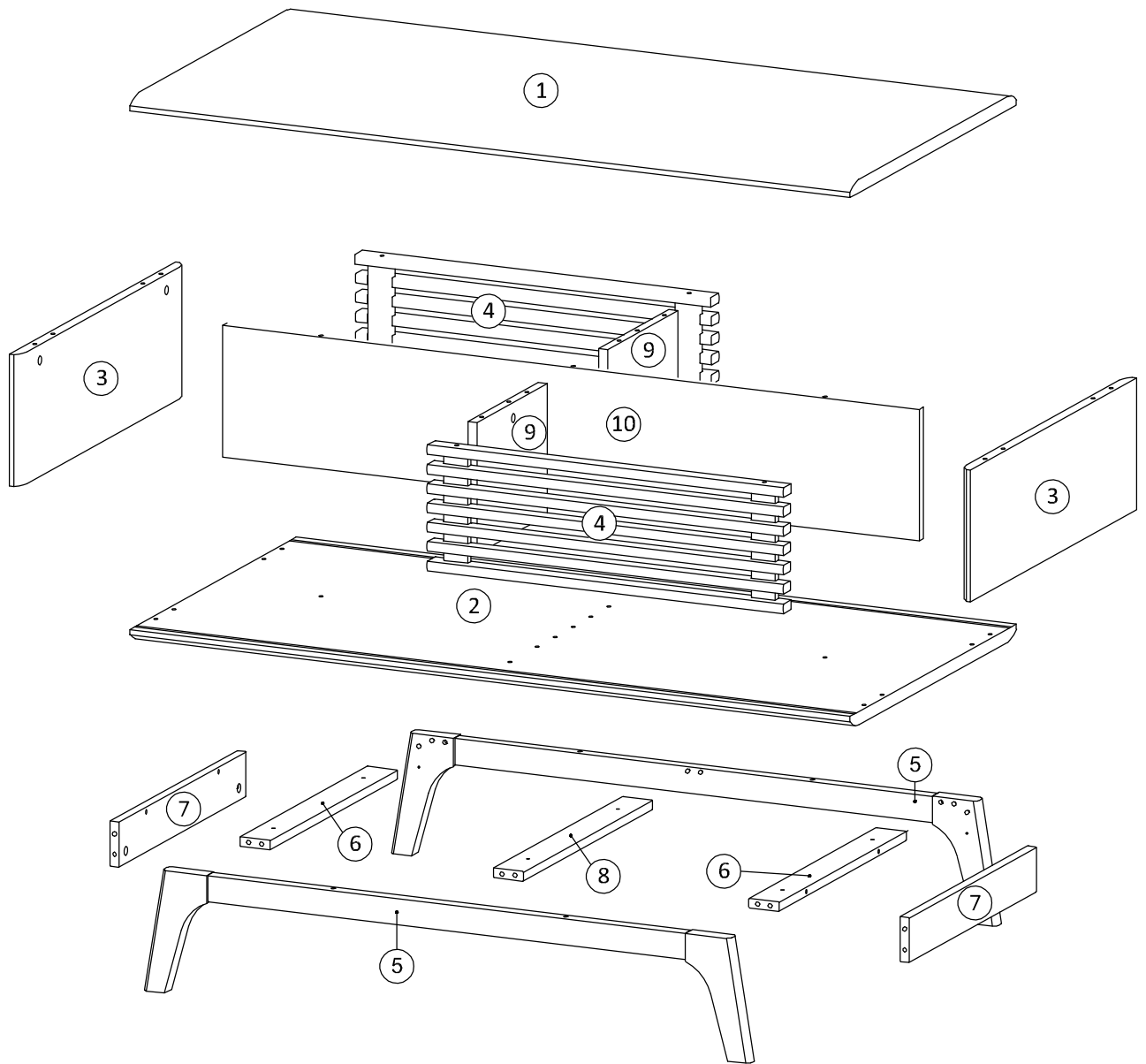
2 Persons Required



DO NOT USE ON PRODUCT

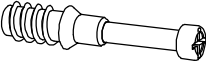




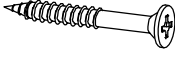






Tools Required



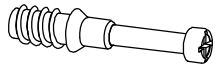


CHECKLIST



<p>A <input type="checkbox"/></p>  <p>Ø6x35 mm Ax12</p>	<p>B <input type="checkbox"/></p>  <p>Ø15 mm Bx12</p>	<p>C <input type="checkbox"/></p>  <p>Ø8x32 mm Cx42</p>	<p>D <input type="checkbox"/></p>  <p>M7x50 mm Dx8</p>	<p>E <input type="checkbox"/></p>  <p>L4 Ex1</p>
<p>F <input type="checkbox"/></p>  <p>M12x35 mm Fx6</p>	<p>G <input type="checkbox"/></p>  <p>25x25x2 mm Gx4</p>	<p>H <input type="checkbox"/></p>  <p>Ø8 mm Hx4</p>	<p>I <input type="checkbox"/></p>  <p>Ø8x19 mm Ix4</p>	<p>J <input type="checkbox"/></p>  <p>Ø8x16 mm Jx4</p>
<p>K <input type="checkbox"/></p>  <p>Ø15 mm Kx4</p>	<p>L <input type="checkbox"/></p>  <p>Ø15 mm Lx4</p>			

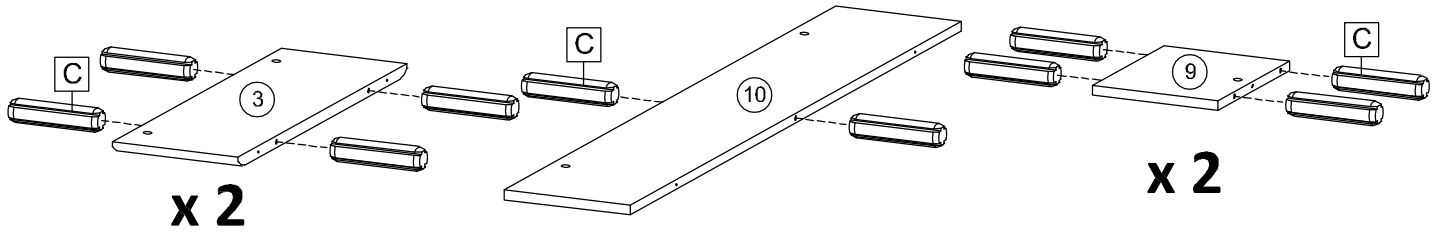
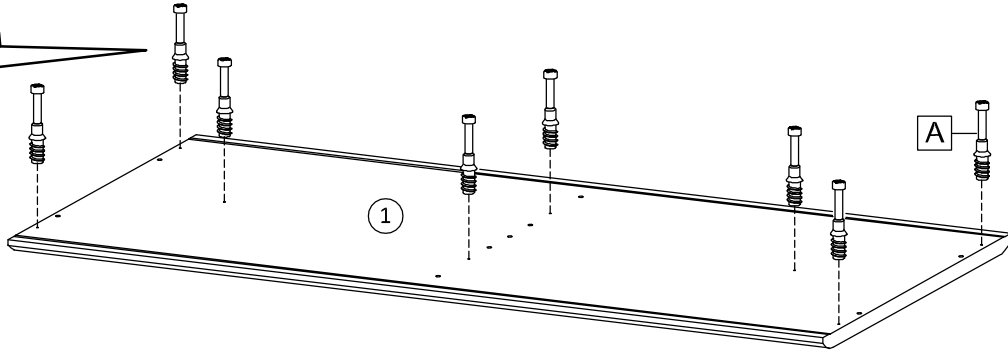
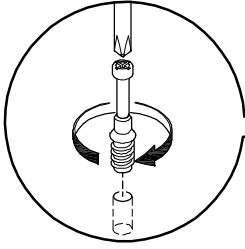
1



Ax8



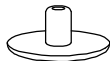
Cx18



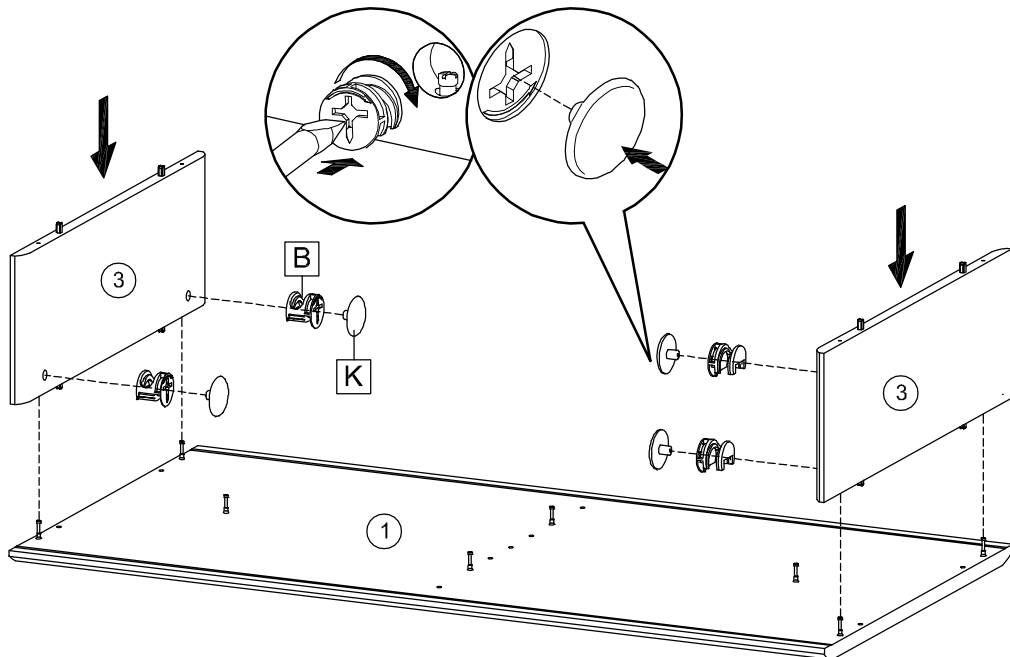
2



Bx4



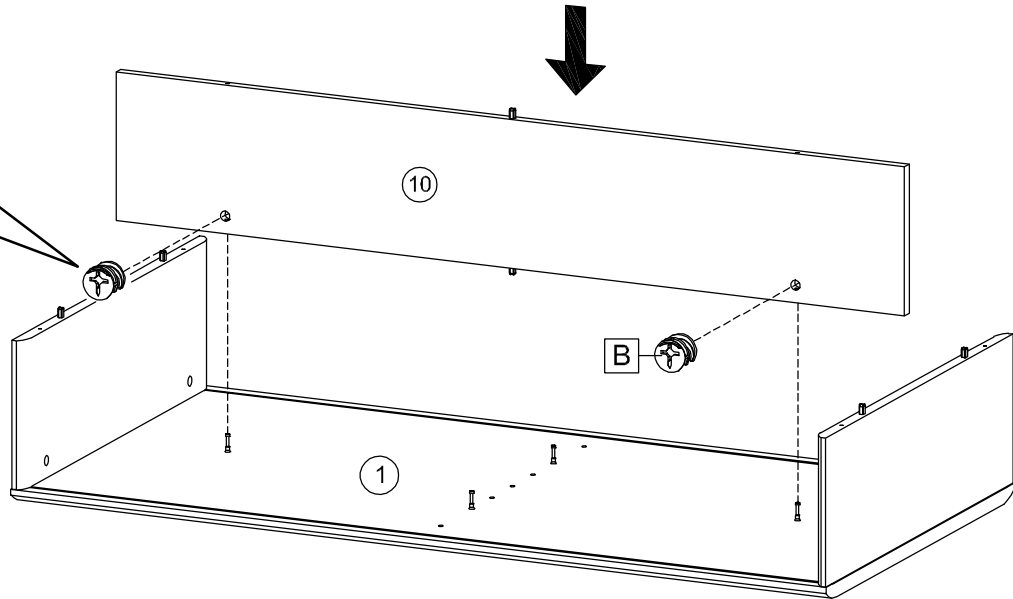
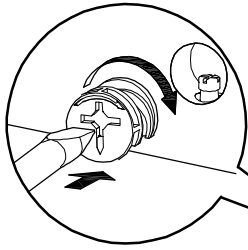
Kx4



3



Bx2



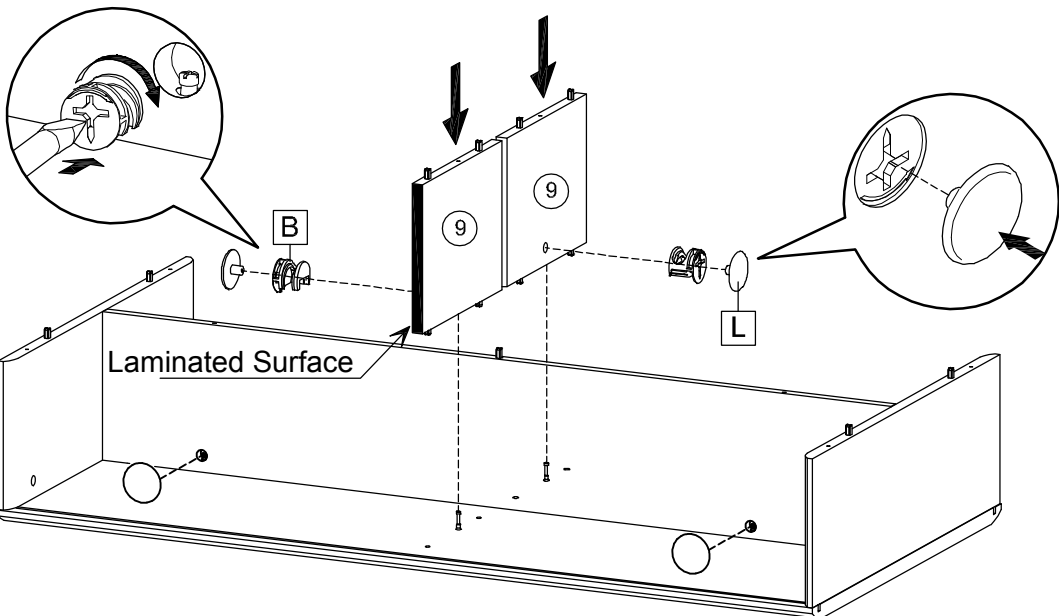
4



Bx2



Lx4



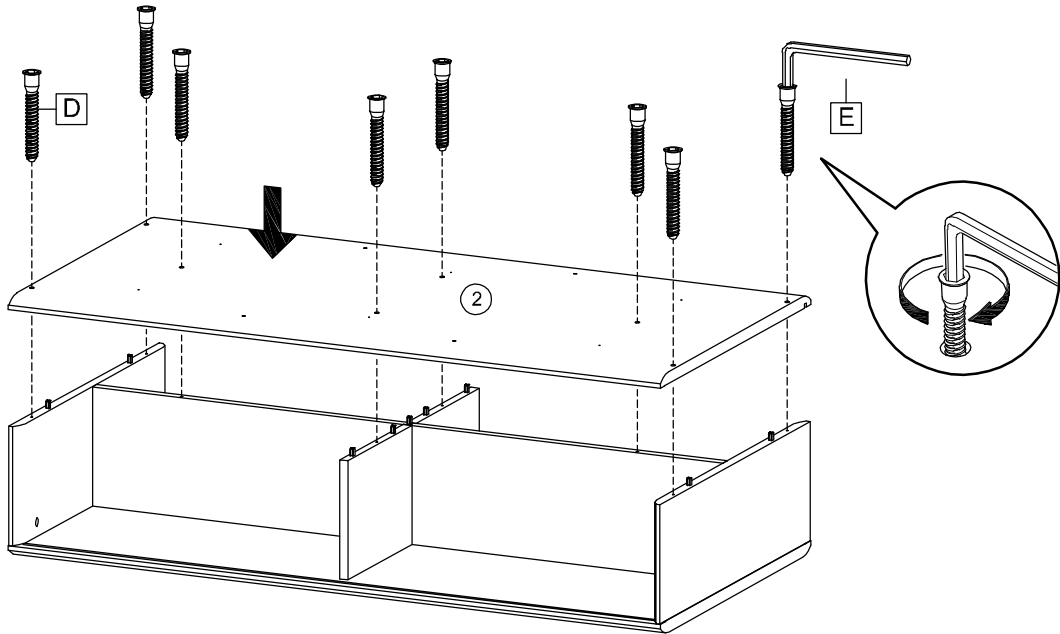
5



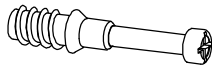
Dx8



Ex1



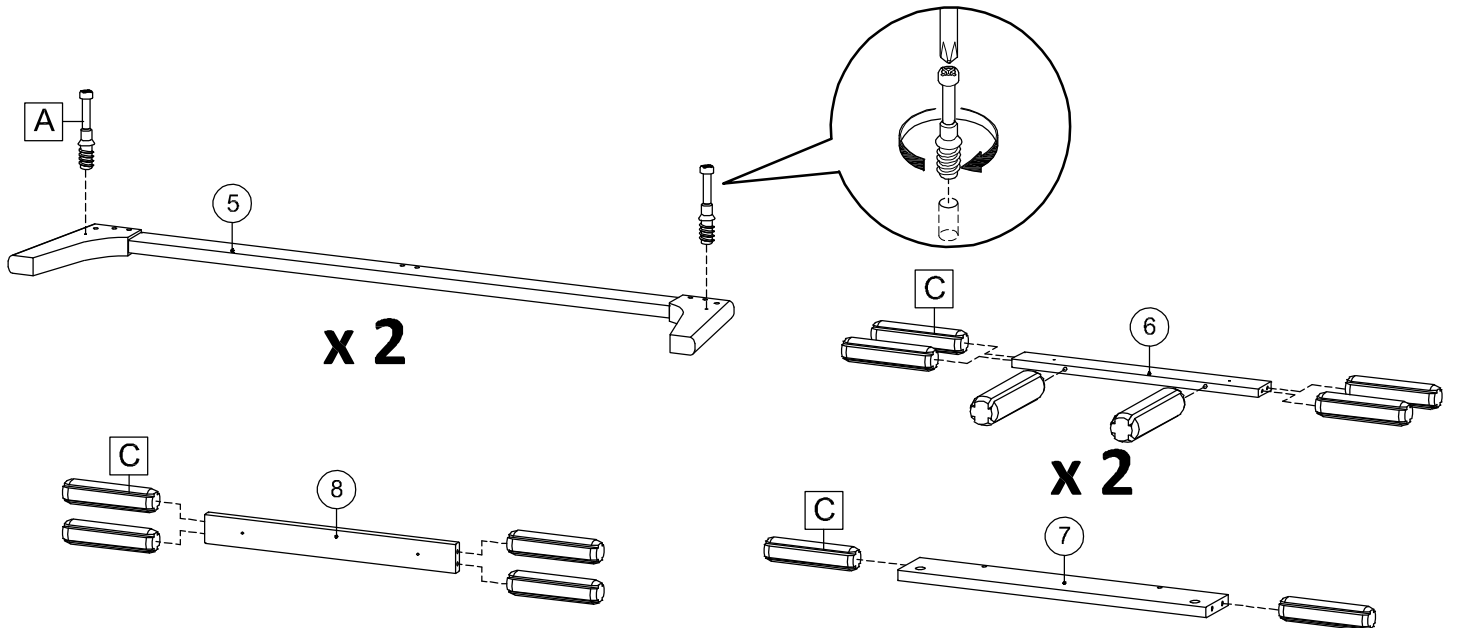
6



Ax4



Cx20



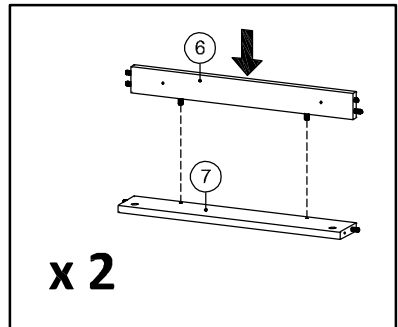
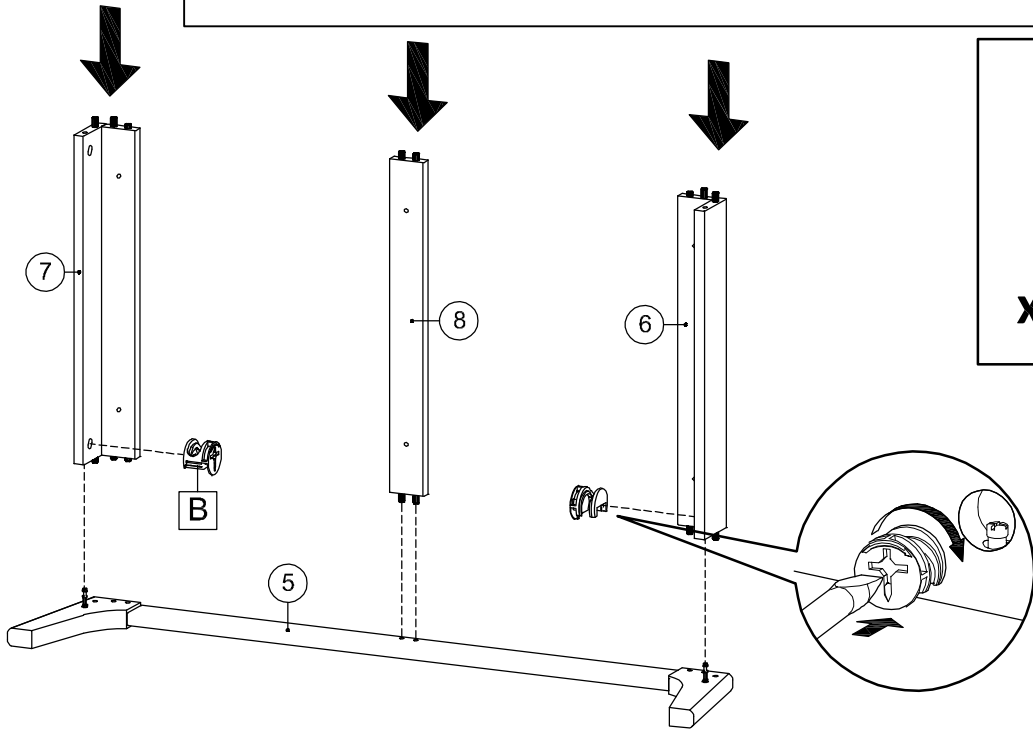
7-11

x 2

7



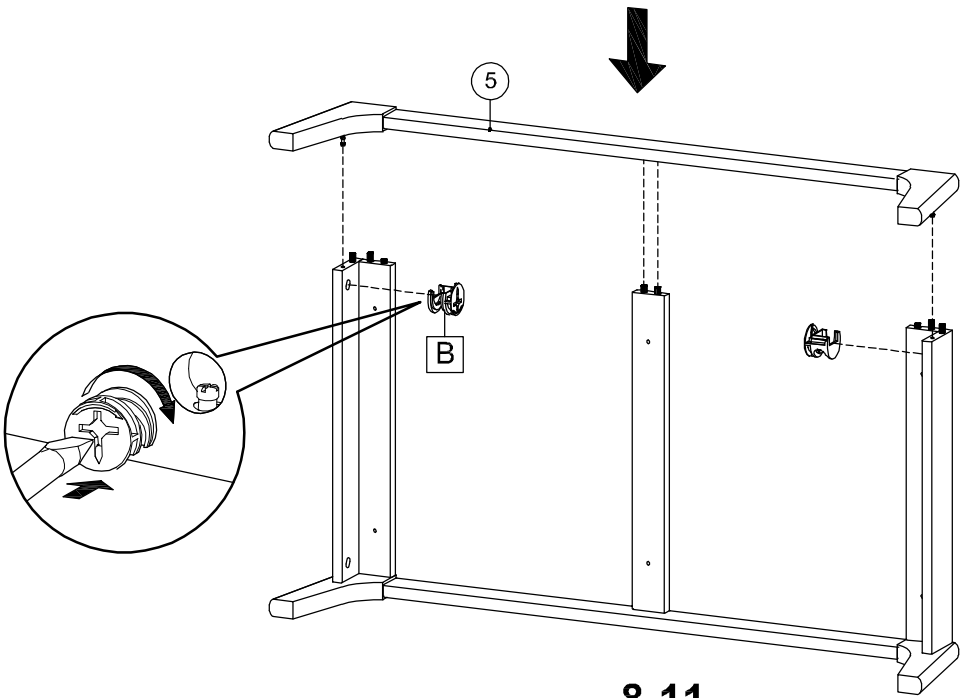
Bx2



8



Bx2

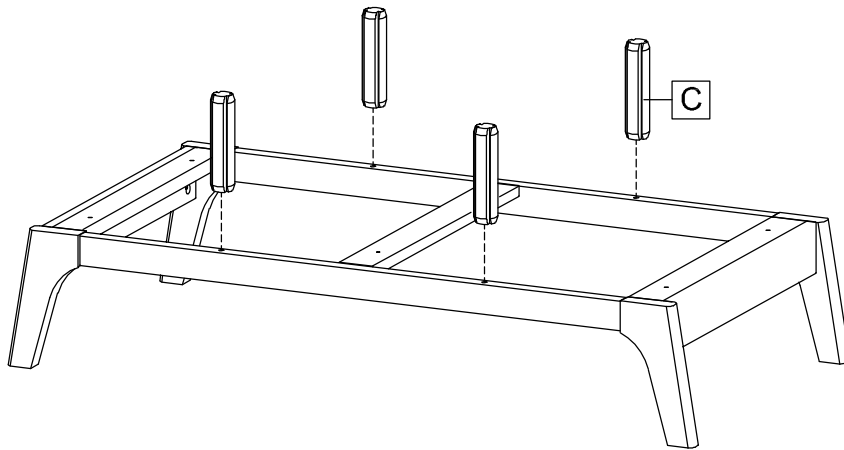


8-11

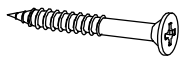
9



Cx4



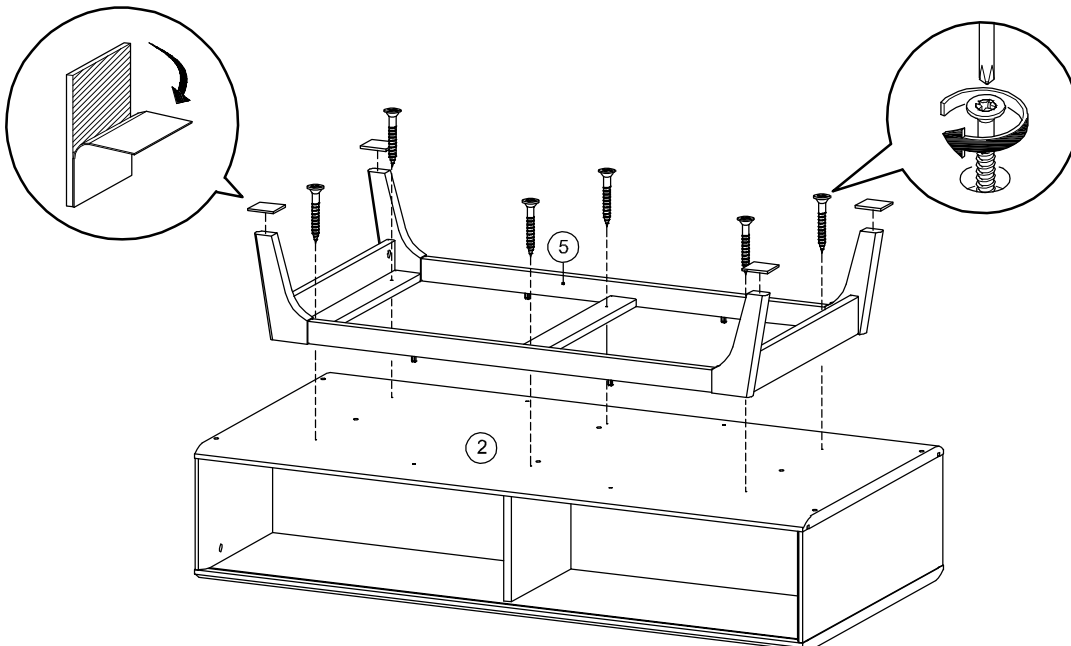
10



Fx6



Gx4



9-11

Rev 3 - 2020-07-17

11



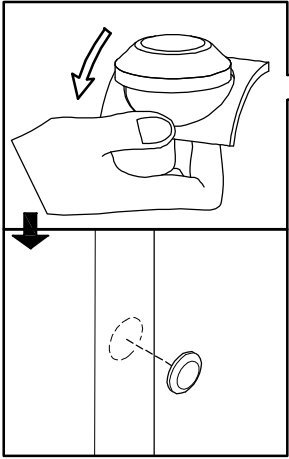
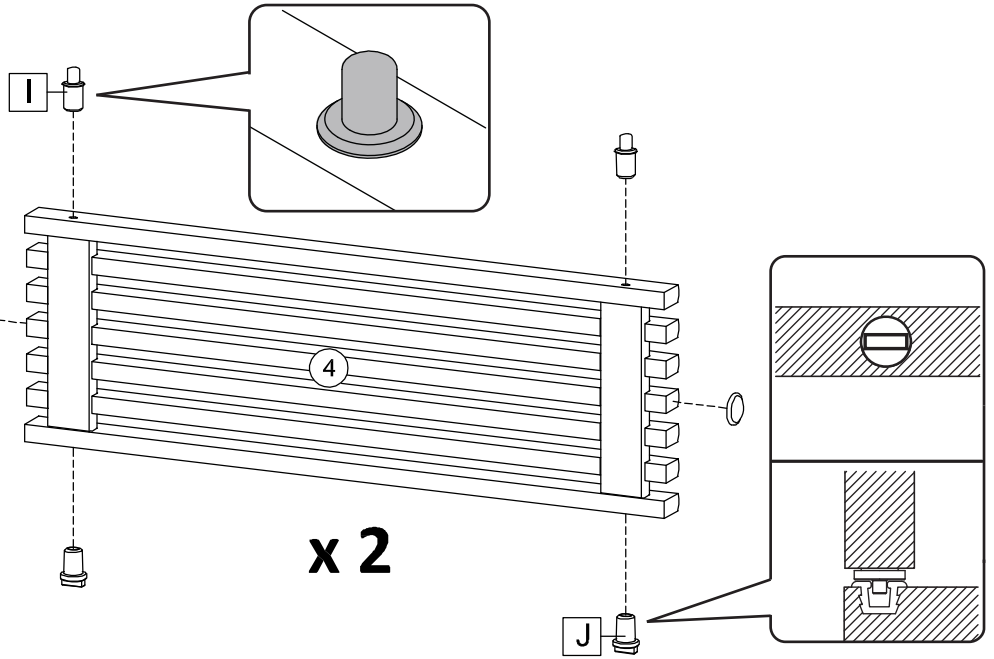
Hx4



Ix4

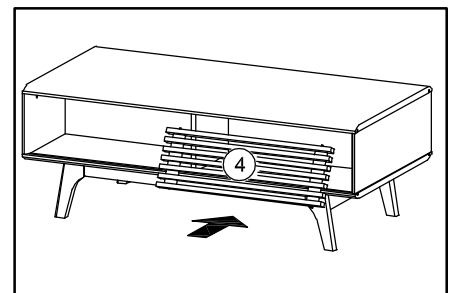
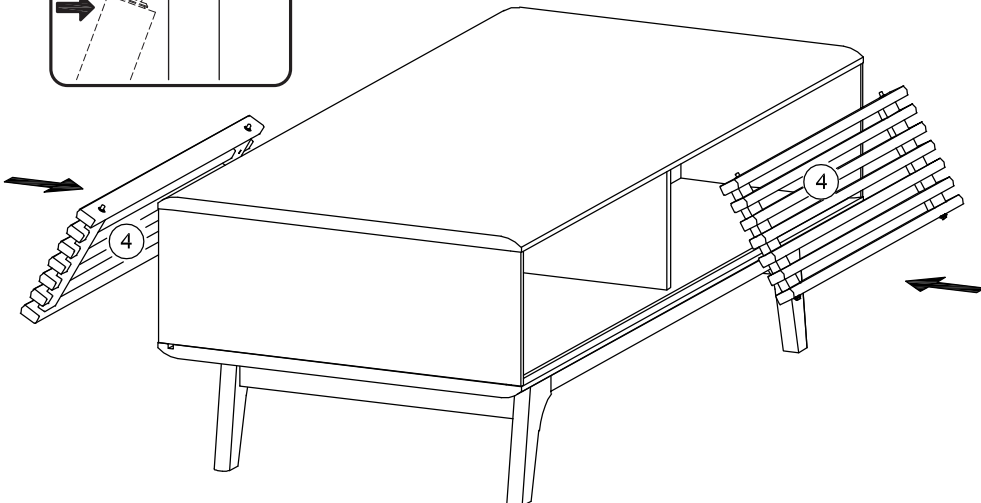
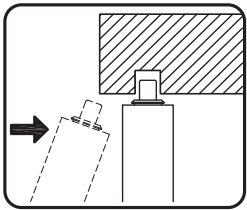


Jx4



12

①



10-11

Rev 3 - 2020-07-17

13

