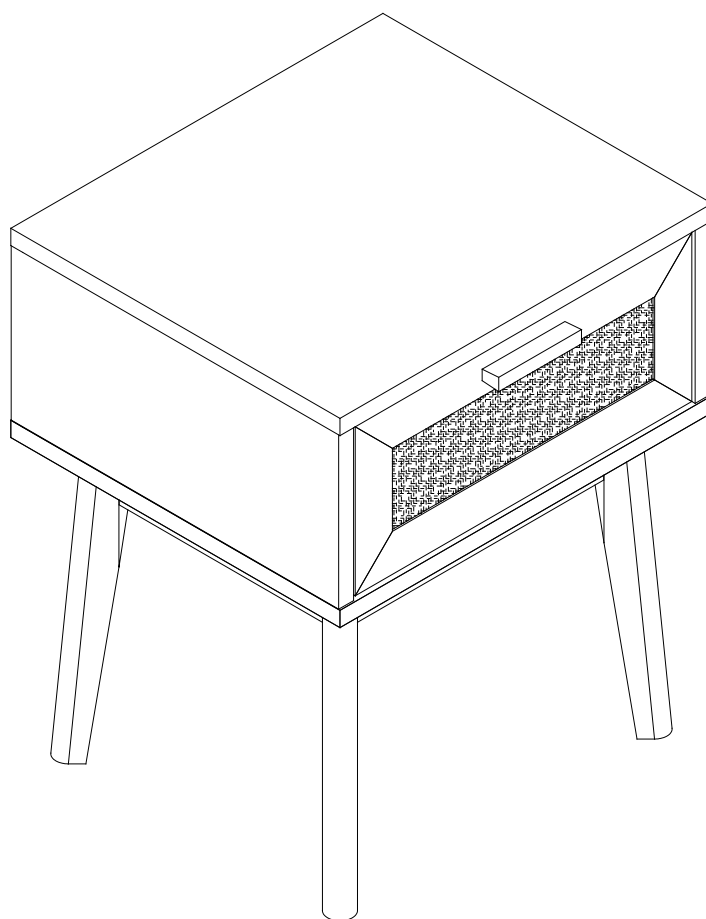


Assembly Instructions

Zeke 1 Drawer Lamp Table

519791



Keep these instructions for future reference

WARNING

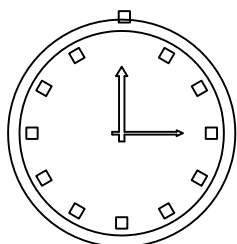
- ! Read instructions carefully. Check no parts are missing.
- ! Assemble the furniture on a soft level surface to avoid damaging the furniture or your floor.
- ! Carefully identify each component, especially those that are similar.
- ! The most common mistake is getting things back to front.
- ! Separate and identify each component from the hardware pack and rest each one in it's proper location before fastening.
- ! We recommend furniture be assembled near where they will be placed, to avoid moving the product unnecessarily once assembled.
- ! If there is a need to move the furniture, please remove all loose items and have extra hands to help lift the furniture to the desired location. Dragging the furniture will damage both the furniture and the floor.
- ! Regularly check and re-tighten (if necessary) all bolts on furniture that you have assembled yourself.

Rattan

Rattan is a natural material that will expand and contract with changes in the surrounding humidity and temperature. Each rattan piece in the furniture may also respond to these changes to a different degree. Once humidity and temperature return to normal, each rattan piece would also return to its original shape. This is a natural phenomenon and not a defect.

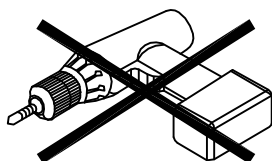
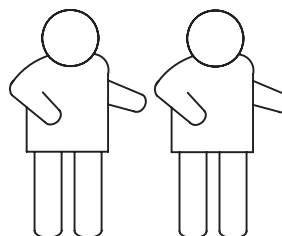
Warning: Ensure the wall strap is attached to avoid serious injury

To avoid any serious or fatal injury, a wall strap has been provided with this product to prevent toppling. We strongly recommend that this product is permanently fixed to the wall or other suitable surface. Fixing devices are not included since different surface materials require different attachment. Please seek professional advice if you are in doubt of what fixing device to use.



ALLOW 60 MIN

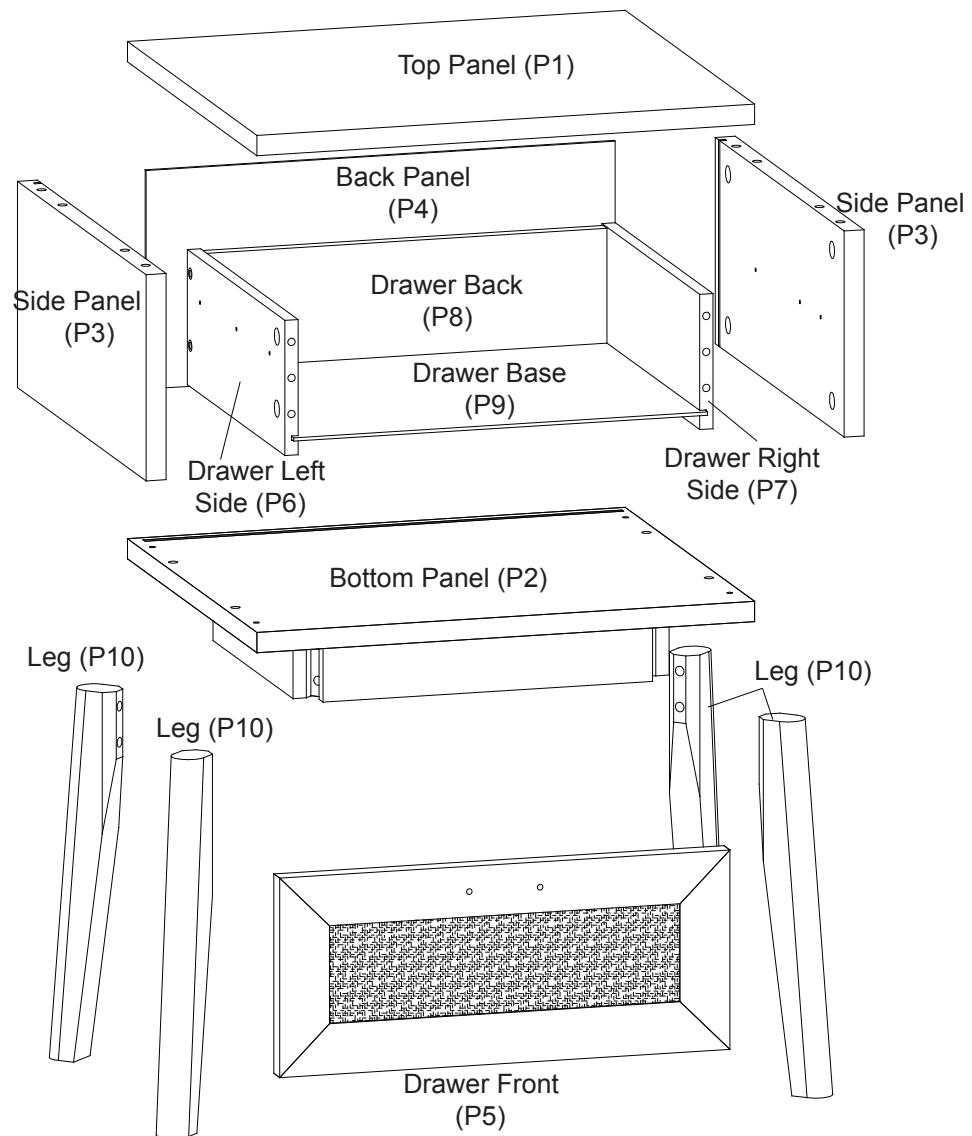
2 Persons Required



DO NOT USE ON PRODUCT

Tools Required

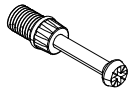




Parts list

- 1 x Top Panel (P1)
- 1 x Bottom Panel (P2)
- 2 x Side Panels (P3)
- 1 x Back Panel (P4)
- 1 x Drawer Front (P5)
- 1 x Drawer Left Side (P6)
- 1 x Drawer Right Side (P7)
- 1 x Drawer Back (P8)
- 1 x Drawer Base (P9)
- 4 x Legs (P10)

Hardware Pack



12 x Cam Bolts
(H1)



8 x Big Cam
Nuts (H2)



8 x Dowels \varnothing 8mm
(H3)



1 x Handle
(H4)



4 x Felt Feet
(H5)



4 x Screws 16mm
(H6)



4 x Back Panel
Connectors (H7)



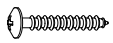
8 x Bolts 55mm
(H8)



10 x Flat Washers
(H9)



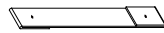
8 x Spring
Washers (H10)



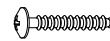
2 x Screws 28mm
(H11)



1 x Allen Key
(H12)



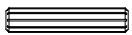
1 x Wall Strap
(H13)



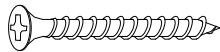
1 x Screw 25mm
(H14)



4 x Small Cam
Nuts (H15)



2 x Dowels \varnothing 6mm
(H16)



4 x Screws 38mm
(H17)




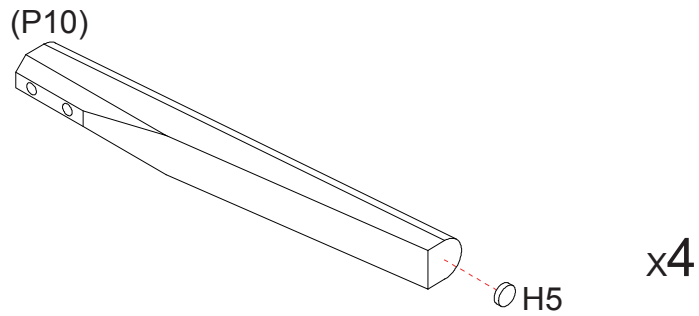
12 x Screws 12mm
(H18)



2 x Slides
(H19)

Step 1

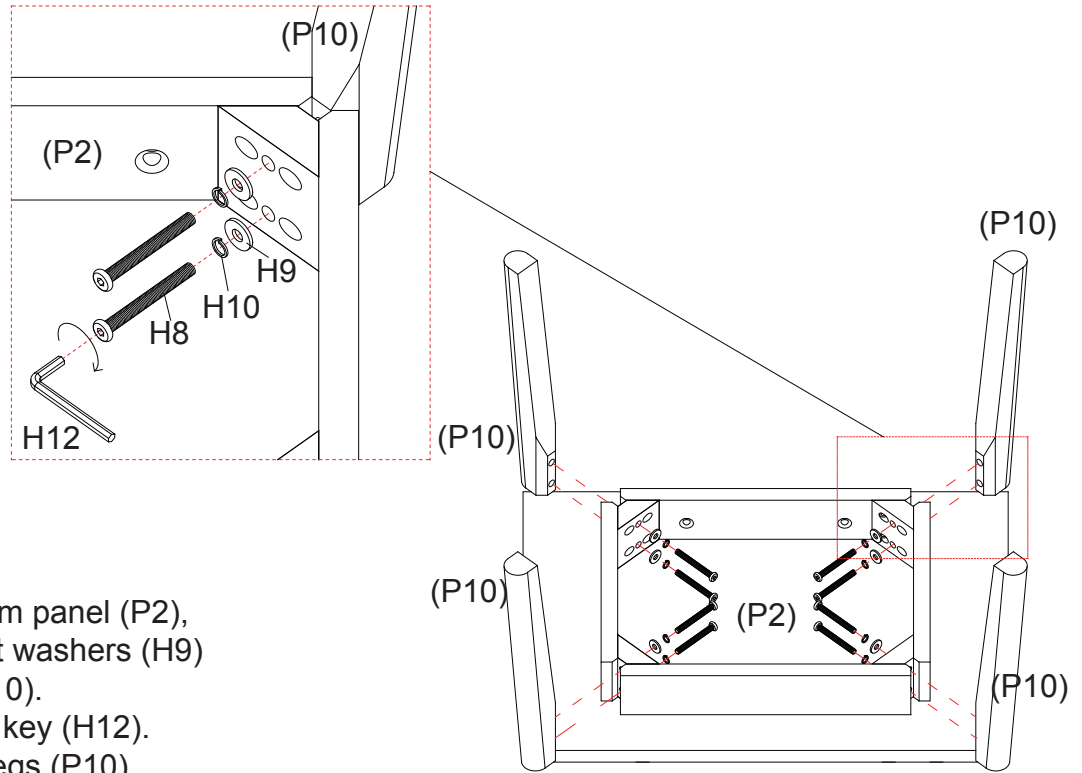
You will need	
	
4 x Felt Feet (H5)	



Attach 1 x felt foot (H5) onto each leg (P10) as shown.



Step 2

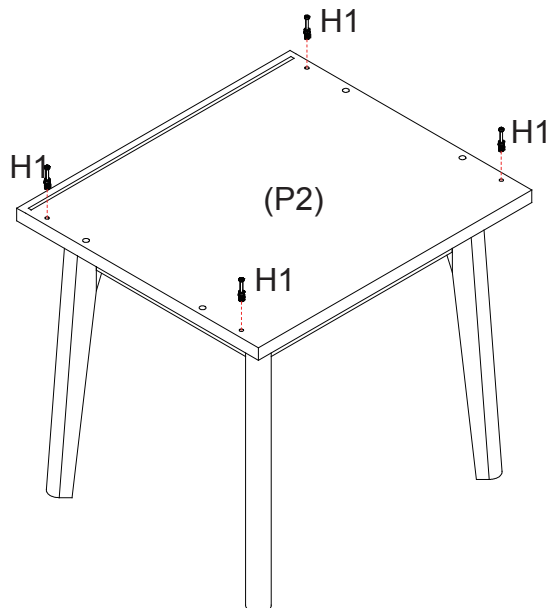
You will need	
	
8 x Bolts 55mm (H8)	8 x Flat Washers (H9)
	
8 x Spring Washers (H10)	1 x Allen Key (H12)



Attach leg (P10) onto bottom panel (P2), using 2 x bolts (H8), 2 x flat washers (H9) and 2 x spring washers (H10). Tighten the bolts with allen key (H12). Repeat three times for all legs (P10). Turn the assembled unit over.






Step 3

You will need	
	
4 x Cam Bolts (H1)	Phillips Head Screwdriver

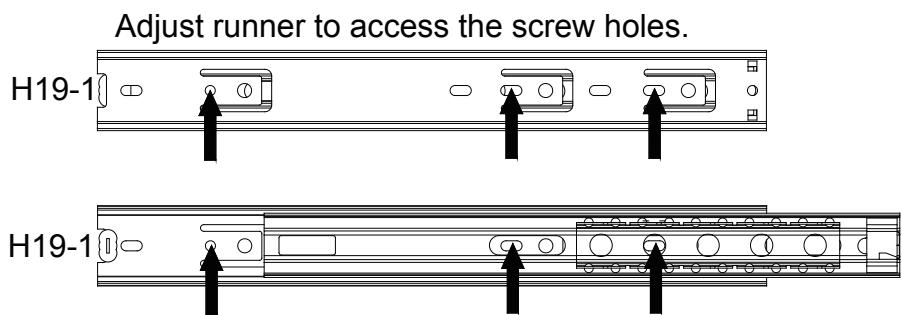
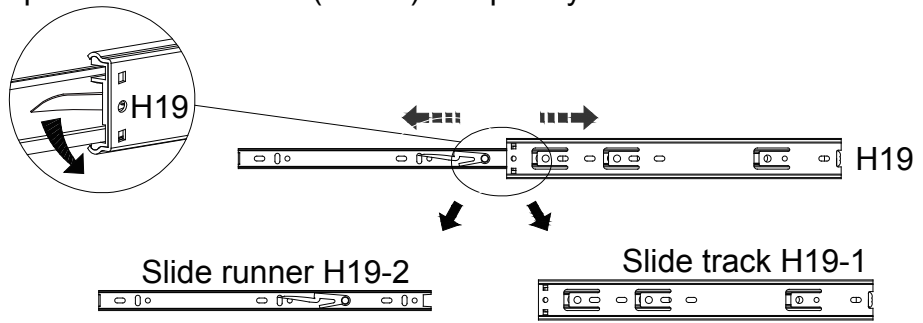


Screw 4 x cam bolts (H1) into bottom panel (P2), using a phillips head screwdriver.

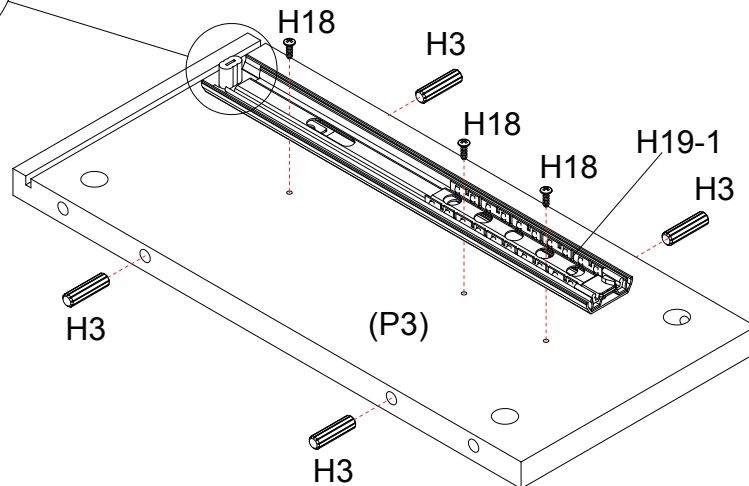
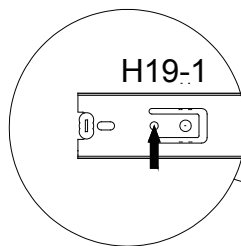
Step 4

You will need	
	
2 x Slides (H19)	6 x Screws 12mm (H18)
	
Phillips Head Screwdriver	8 x Dowels ø8mm (H3)
	
Mallet	

Separate the 2 sets of slide runners (H19-2) and slide tracks (H19-1) from slides (H19) by following the steps below: Extend the slide runner all the way forward. Press the plastic release lever of the slide down and pull the slide runner (H19-2) completely out.





Note the position of the rubber stopper



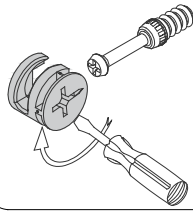
Attach 2 x separated slide tracks (H19-1) onto side panels (P3) with 6 x screws (H18), using a phillips head screwdriver as shown. Pay attention to ensure the slides are in correct direction as shown.

Insert 4 x dowels (H3) into each panel (P3) as shown. Use a mallet to gently tap the dowels into place if needed.

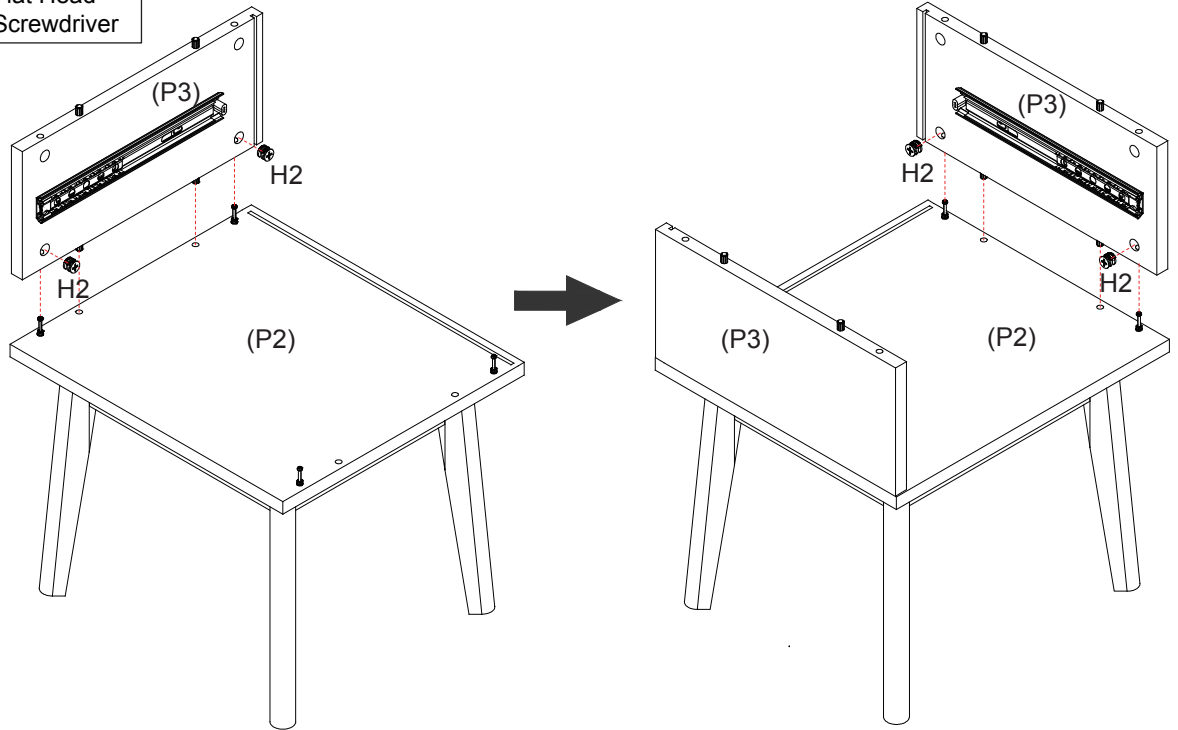
Step 5

You will need	
	
4 x Big Cam Nuts (H2)	Flat Head Screwdriver

This is how a cam nut works.....



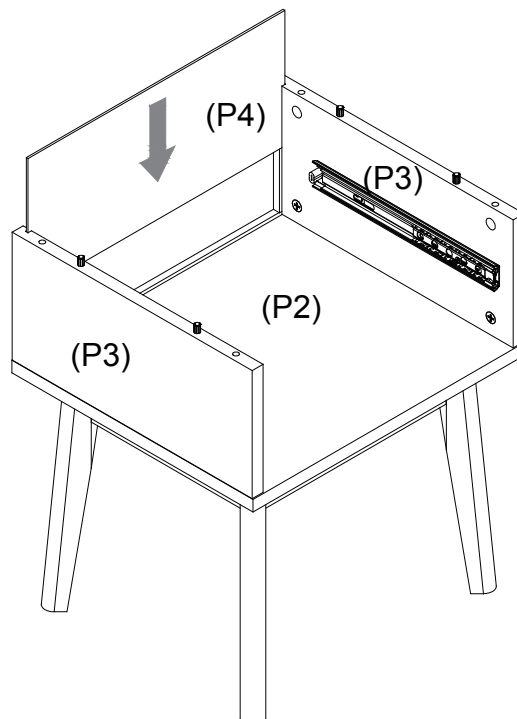
The head of the cam bolt goes into the open mouth of the cam nut. You then turn the cam nut so it tightens over the bolt.



Position side panel (P3) onto bottom panel (P2), making sure the grooves on side panels and bottom panel are on the same side.

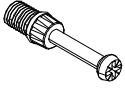

Insert 4 x big cam nuts (H2) into side panels (P3), using a flat head screwdriver turn clockwise to lock.

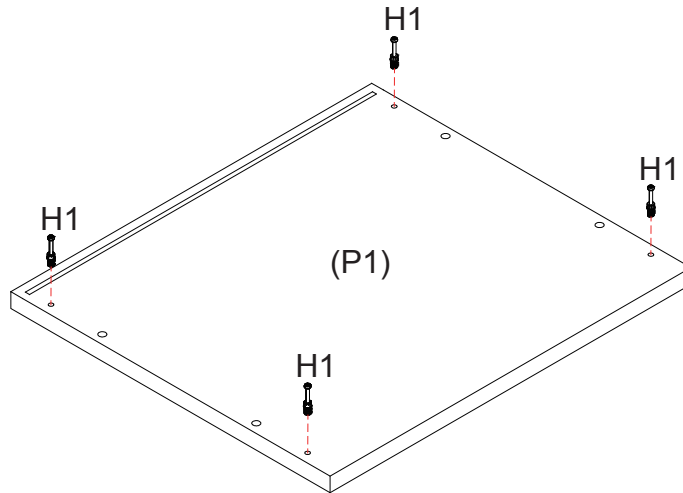
Step 6



Slide back panel (P4) into the grooves of panel of assembled unit as shown.



Step 7

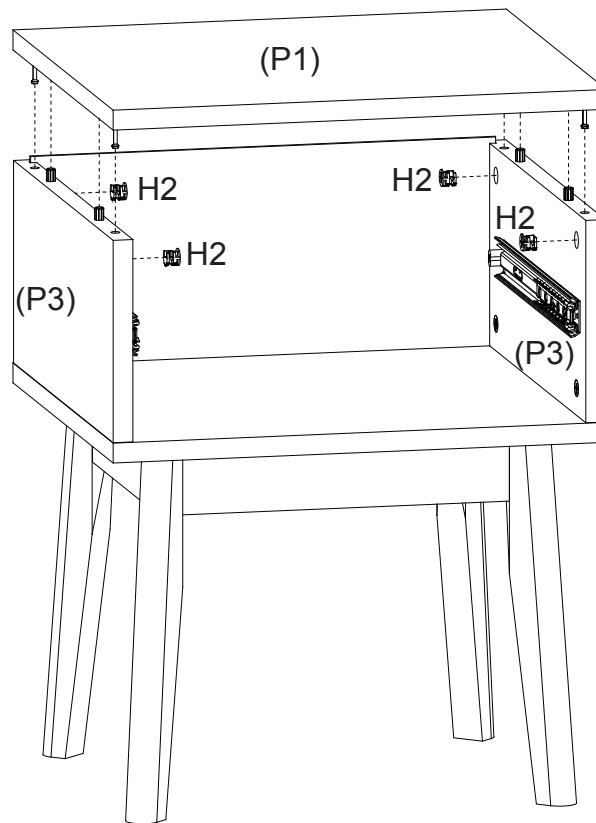
You will need	
	
4 x Cam Bolts (H1)	Phillips Head Screwdriver



Screw 4 x cam bolts (H1) into top panel (P1), using a phillips head screwdriver.




Step 8

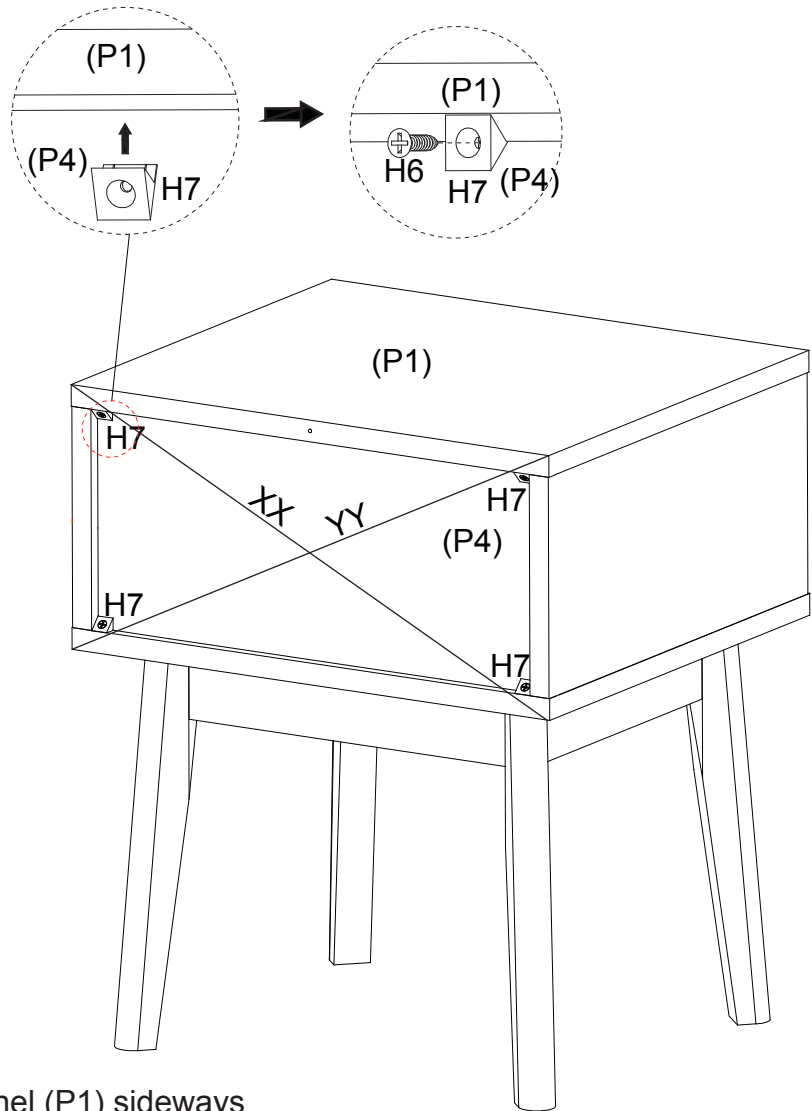
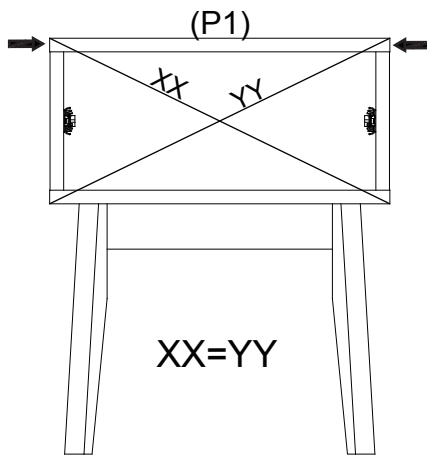
You will need	
	
4 x Big Cam Nuts (H2)	Flat Head Screwdriver



Position top panel (P1) to assembled unit as shown.
Insert 4 x cam nuts (H2) into panels (P3), turn clockwise to lock using a flat head screwdriver.

Step 9

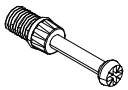

You will need	
	
4 x Screws 16mm (H6)	4 x Back Panel Connectors (H7)
	
Phillips Head Screwdriver	

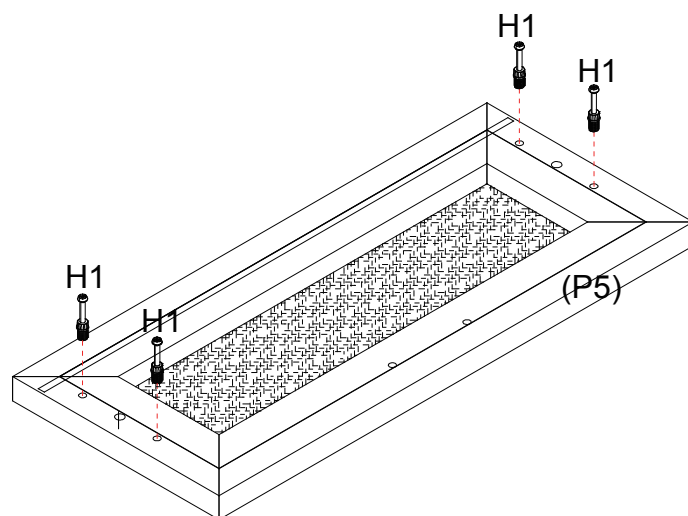


If necessary, gently adjust the top panel (P1) sideways in either direction until XX and YY are equal.

Holding it in place, fix 4 x back panel connectors (H7) to assembled unit with 4 x screws (H6) as shown, using a phillips head screwdriver.



Step 10

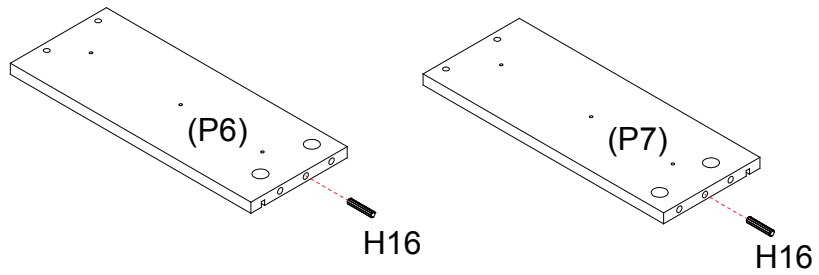
You will need	
	
4 x Cam Bolts (H1)	Phillips Head Screwdriver



Screw 4 x cam bolts (H1) into drawer front (P5), using a phillips head screwdriver as shown.



Step 11

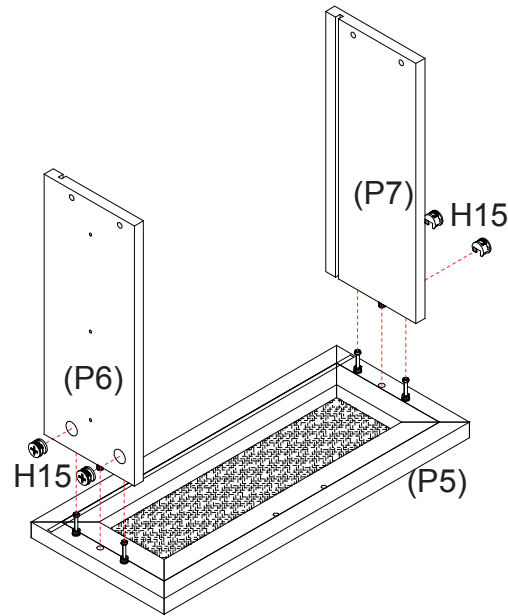
You will need	
	
2 x Dowels ø6mm (H16)	Mallet



Insert 2 x dowels (H16) into drawer side panels (P6) & (P7) as shown.
Use a mallet to gently tap the dowels into place if needed.

Step 12

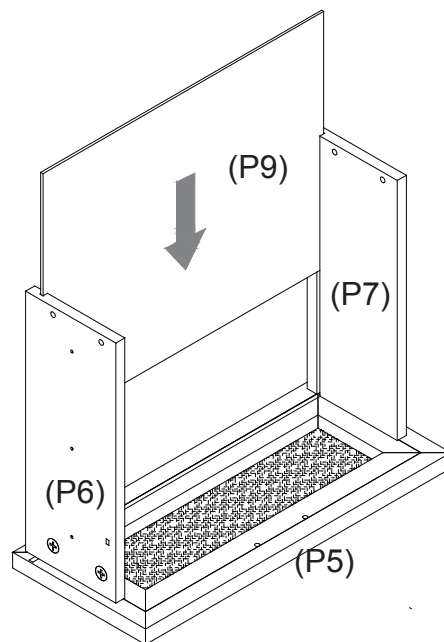
You will need	
	
4 x Small Cam Nuts (H15)	Flat Head Screwdriver



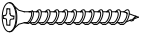

Position drawer sides (P6) & (P7)
onto drawer front (P5).
Insert 4 x small cam nuts (H15)
into drawer sides (P6) & (P7).
Turn small cam nuts (H15) clockwise to lock
using a flat head screwdriver.

Step 13

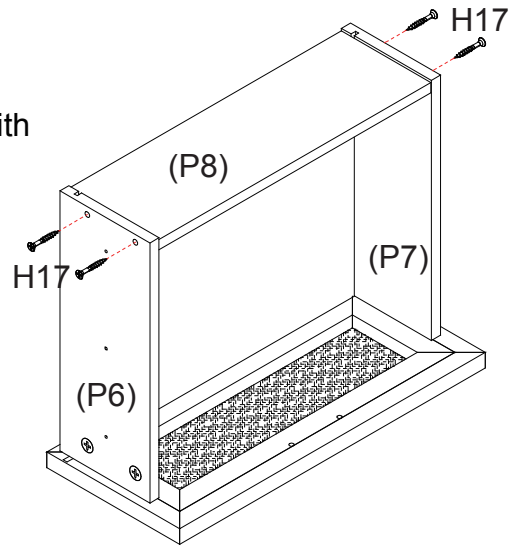
Slide drawer base (P9) into
the grooves of panels (P5), (P6) & (P7).



Step 14

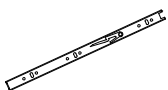


You will need	
	
4 x Screws 38mm (H17)	Phillips Head Screwdriver

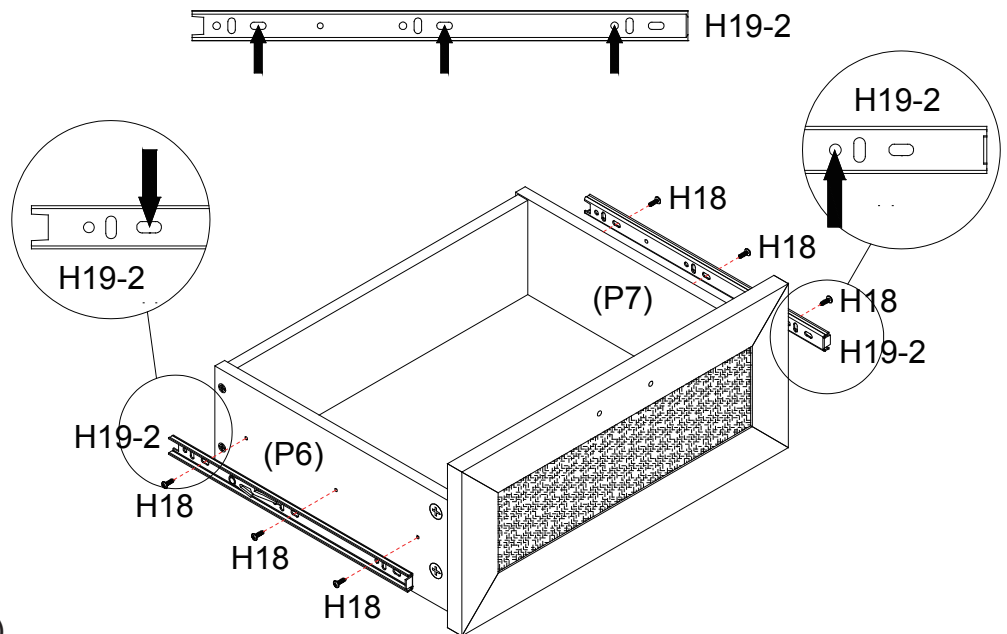
Ensure screw holes in (P6) & (P7) align with pilot holes in (P8).



Attach drawer back (P8) to drawer assembly with 4 x screws (H17), using a phillips head screwdriver as shown.

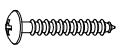


Step 15

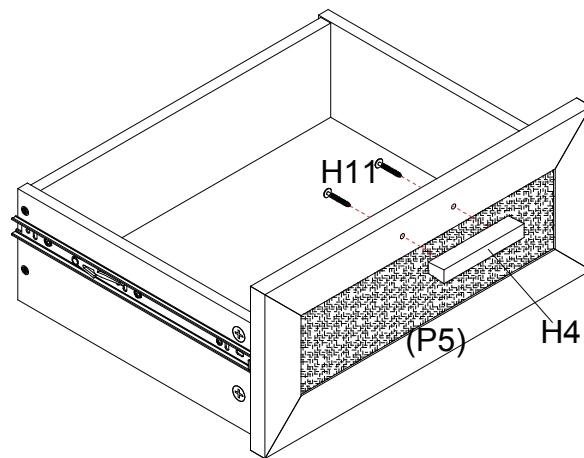
You will need	
	
2 x Slide Runners (H19-2)	6 x Screws 12mm (H18)
	
Phillips Head Screwdriver	



Attach 1 x slide runner (H19-2) to each drawer side (P6) and (P7) with 3 x screws (H18), using a phillips head screwdriver as shown.

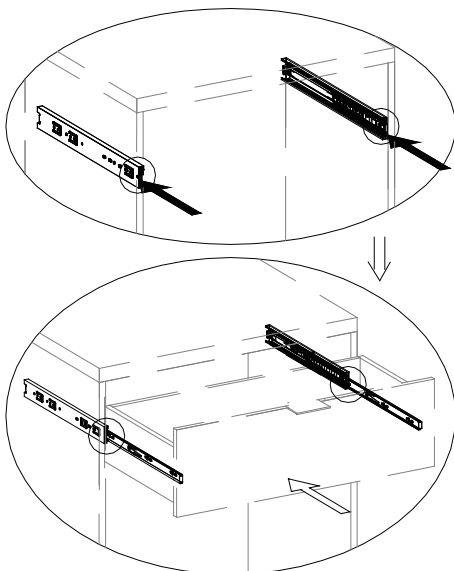
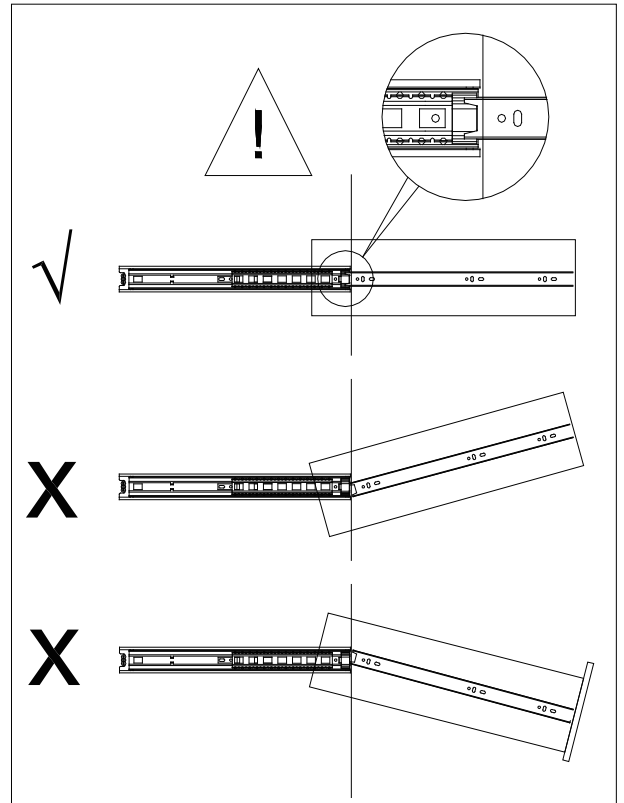
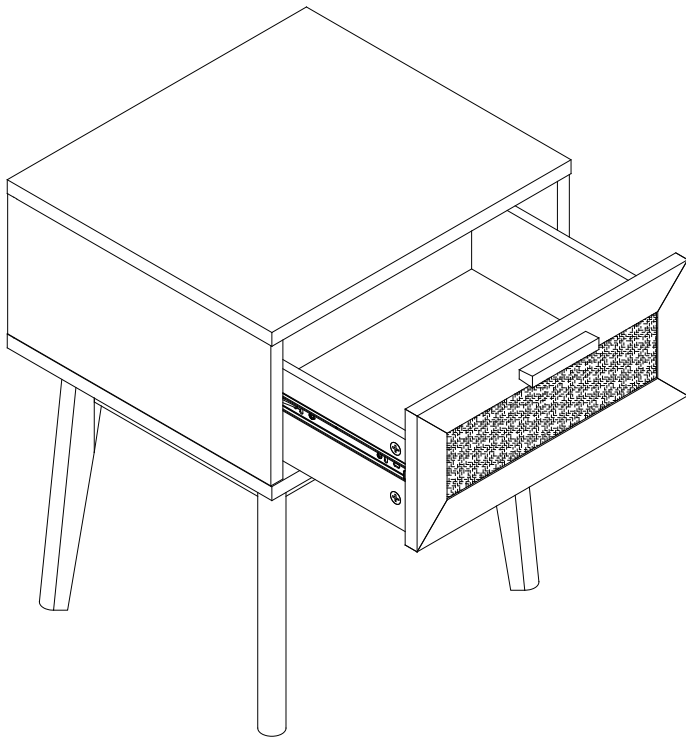
Step 16

You will need	
	
2 x Screws 28mm (H11)	1 x Handle (H4)
	
Phillips Head Screwdriver	

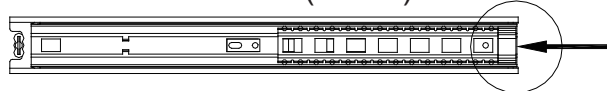


Attach 1 x handle (H4) onto drawer front (P5) with 2 x screws (H11), using a phillips head screwdriver as shown.

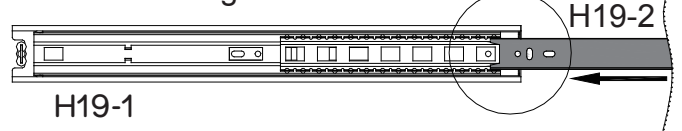
Step 17



Move inner ball bearing track to front of slide track (H19-1).


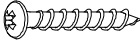
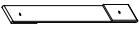



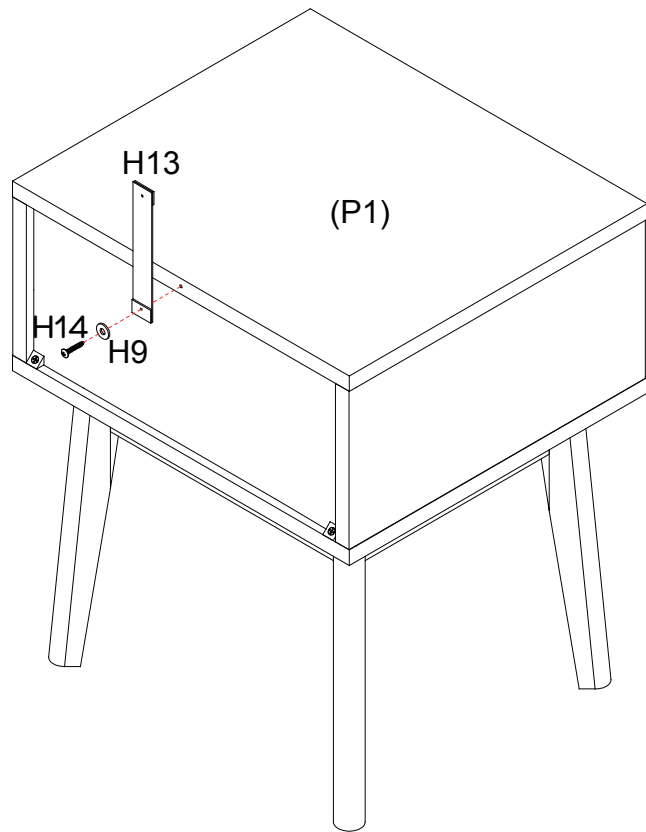
Gently insert drawer slide runner into ball bearing Track.



Position drawer so that slide runners (H19-2) align with slide tracks (H19-1) as shown. Gently push drawer into the closed position.



Step 18

You will need	
	
1 x Flat Washer (H9)	1 x Screw 25mm (H14)
	
1 x Wall Strap (H13)	Phillips Head Screwdriver

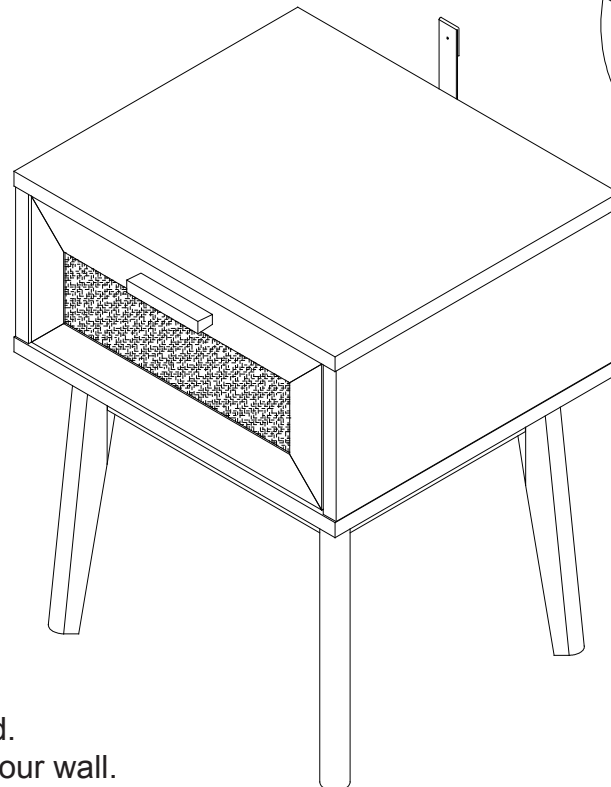


Fix 1 x wall strap (H13) to top panel (P1) with 1 x screw (H14) and 1 x flat washer (H9) as shown, using a phillips head screwdriver.

Step 19

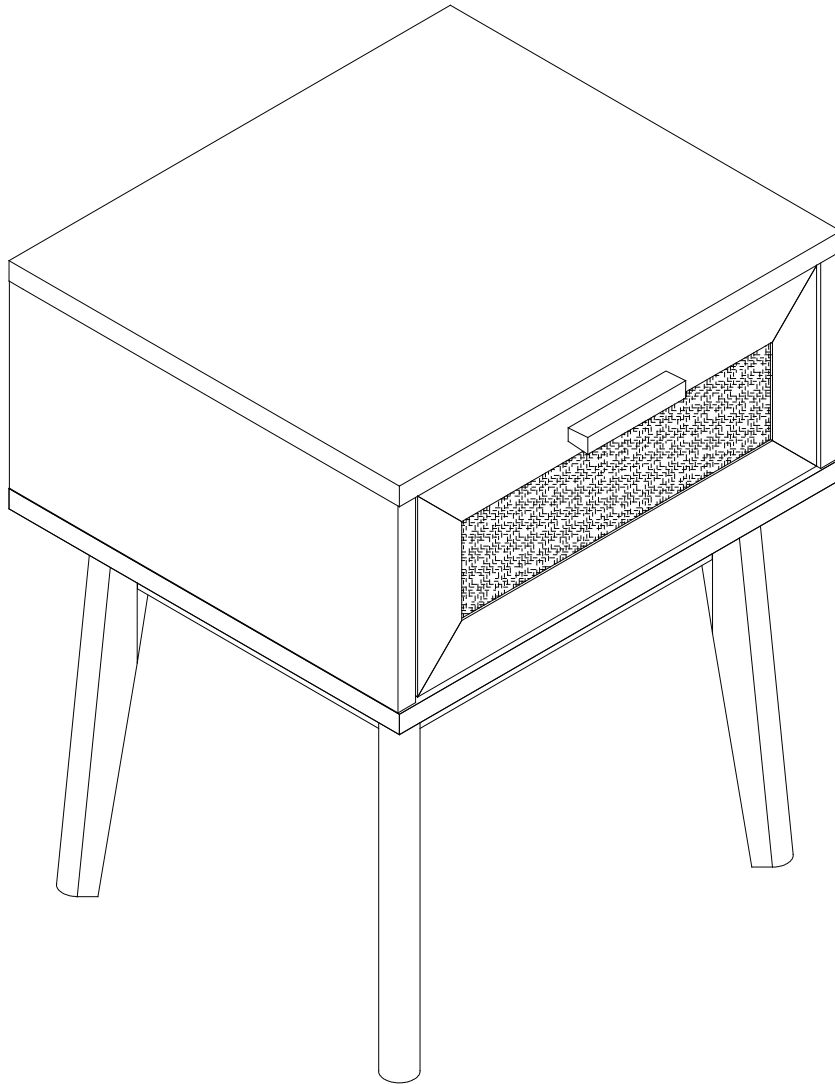
You will need	
	
1 x Flat Washer (H9)	Phillips Head Screwdriver

Seek advice from a qualified trades person on how to attach this wall strap to your specific wall.



Screw and wall plug are not included.
Please use appropriate fixtures for your wall.
Move the lamp table to the final position.
Attach the wall strap to the wall.
Make sure they are firmly attached and fit snugly .

Step 20



Job complete!

In the interest of our environment please dispose
of all packaging thoughtfully.