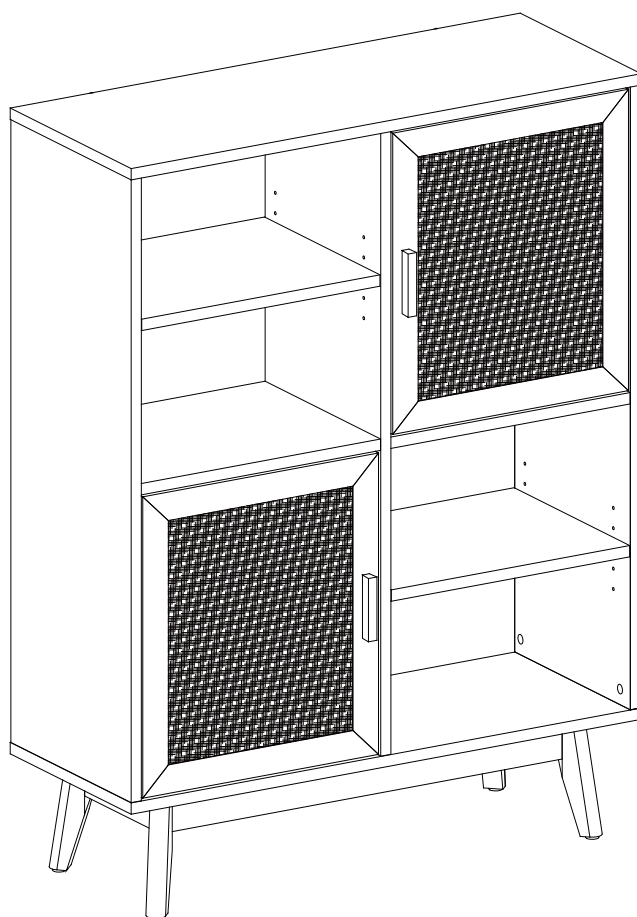


Assembly Instructions

Zeke Bookcase

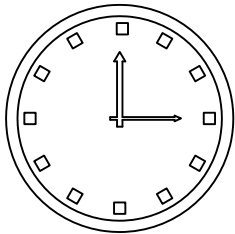
520369-01



Keep these instructions for future reference

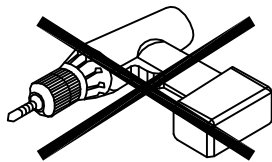
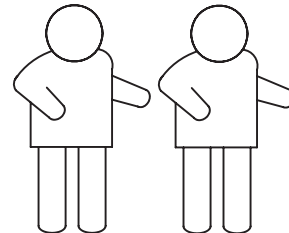
WARNING

- ! Read instructions carefully. Check no parts are missing.
- ! Assemble the furniture on a soft level surface to avoid damaging the furniture or your floor.
- ! Carefully identify each component, especially those that are similar.
- ! The most common mistake is getting things back to front.
- ! Separate and identify each component from the hardware pack and rest each one in it's proper location before fastening.
- ! We recommend furniture be assembled near where they will be placed, to avoid moving the product unnecessarily once assembled.
- ! If there is a need to move the furniture, please remove all loose items and have extra hands to help lift the furniture to the desired location. Dragging the furniture will damage both the furniture and the floor.
- ! Regularly check and re-tighten (if necessary) all bolts on furniture that you have assembled yourself.



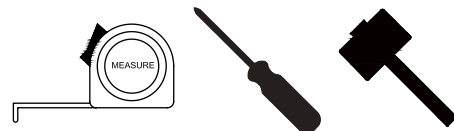
ALLOW 60 MIN

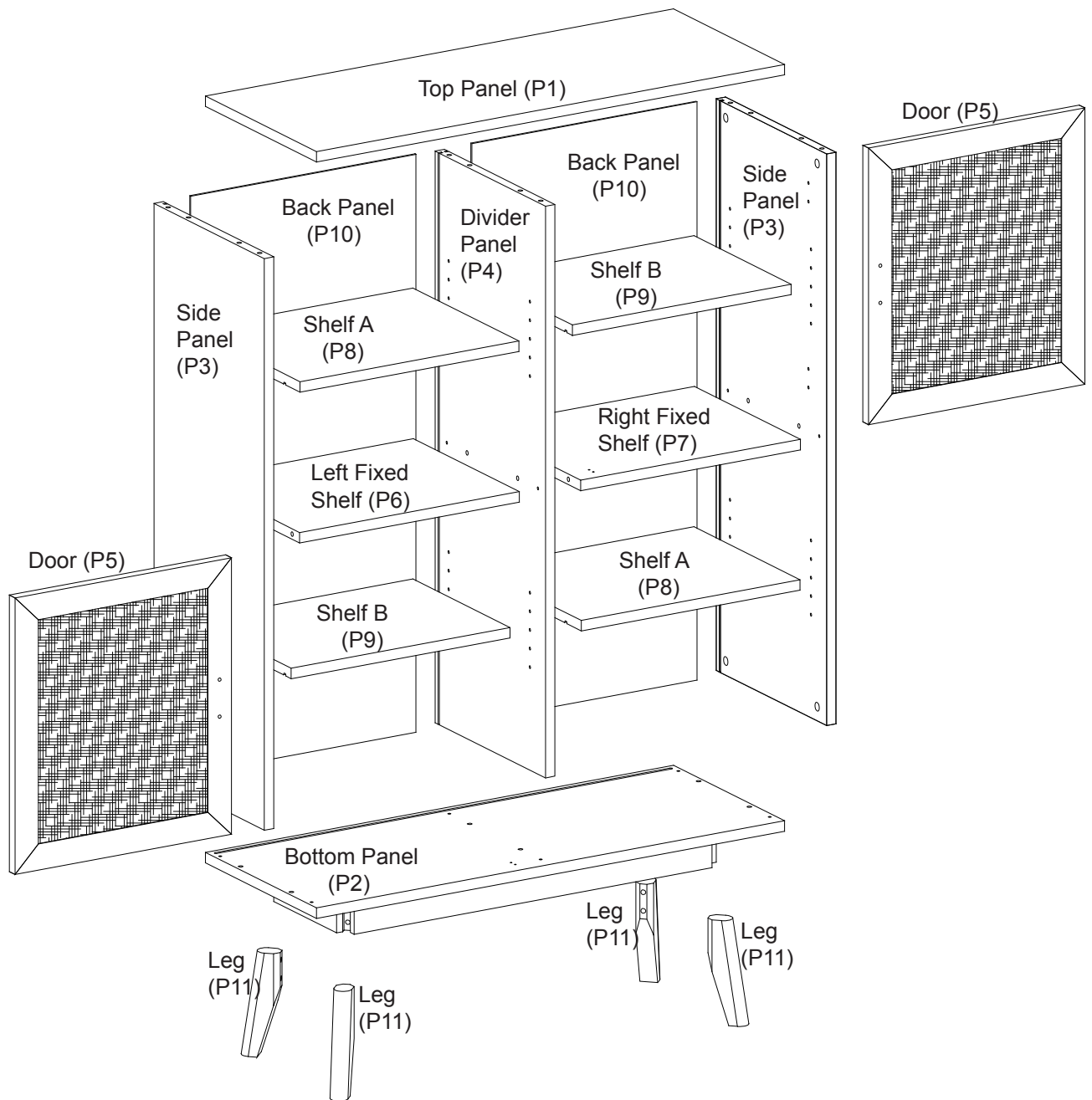
2 Persons Required



DO NOT USE ON PRODUCT

Tools Required





Parts list

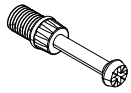
Carton 1:

- 1 x Top Panel (P1)
- 1 x Bottom Panel (P2)
- 2 x Side Panels (P3)
- 1 x Divider Panel (P4)
- 2 x Doors (P5)
- 2 x Back Panels (P10)
- 4 x Legs (P11)

Carton 2:

- 1 x Left Fixed Shelf (P6)
- 1 x Right Fixed Shelf (P7)
- 2 x Shelf A (P8)
- 2 x Shelf B (P9)

Hardware Pack



20 x Cam Bolts
(H1)



20 x Cam
Nuts (H2)



20 x Dowels
(H3)



2 x Handles
(H4)



4 x Felt Pads
(H5)



8 x Back Panel
Screws (H6)



4 x Back Panel
Connectors (H7)



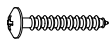
8 x Bolts
(H8)



12 x Flat Washers
(H9)



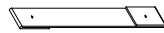
8 x Spring
Washers (H10)



4 x Handle
Screws (H11)



1 x Allen Key
(H12)



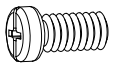
2 x Wall Straps
(H13)



2 x Wall Strap
Screws (H14)



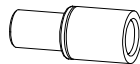
8 x Hinges
Screws (H15)



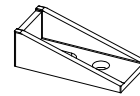
8 x Door
Screws (H16)



4 x Hinges
(H17)



16 x Shelf Pins
(H18)



4 x Stoppers
(H19)




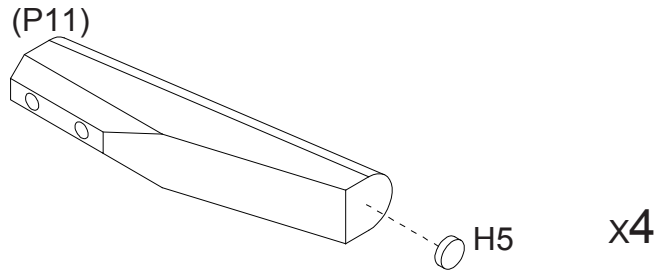
8 x Stopper
Screws (H20)



12 x Stickers
(H21)





Step 1

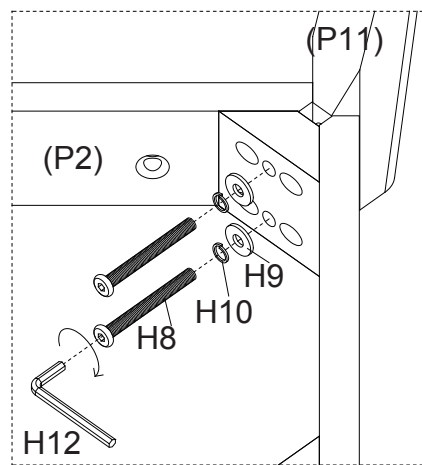
You will need	
	
4 x Felt Pads (H5)	



Attach 4 x felt pads (H5) to the bottom of Legs (P11x4) by removing the adhesive backing and pressing firmly.




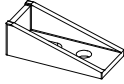
Step 2

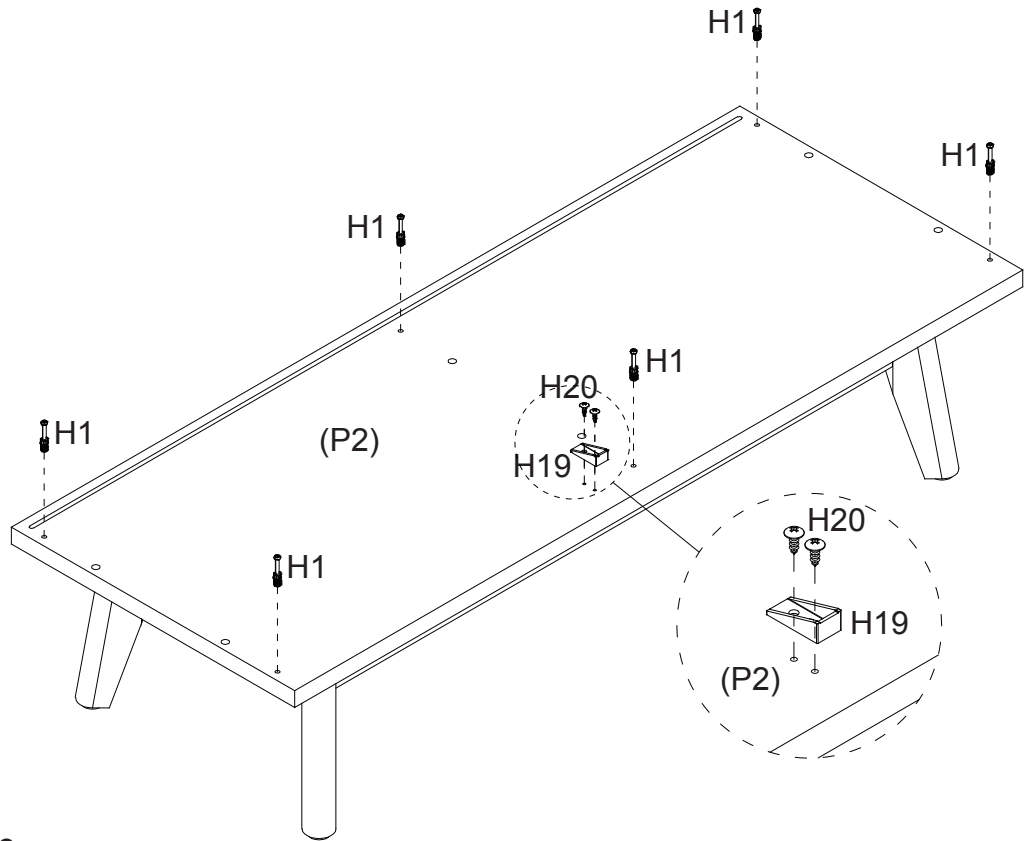
You will need	
	
8 x Bolts (H8)	8 x Flat Washers (H9)
	
8 x Spring Washers (H10)	1 x Allen Key (H12)



Attach legs (P11x4) to bottom panel (P2) with 8 x bolts (H8), 8 x spring washers (H10) and 8 x flat washers (H9) as shown by tightening with the allen key (H12).




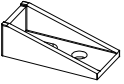
Step 3

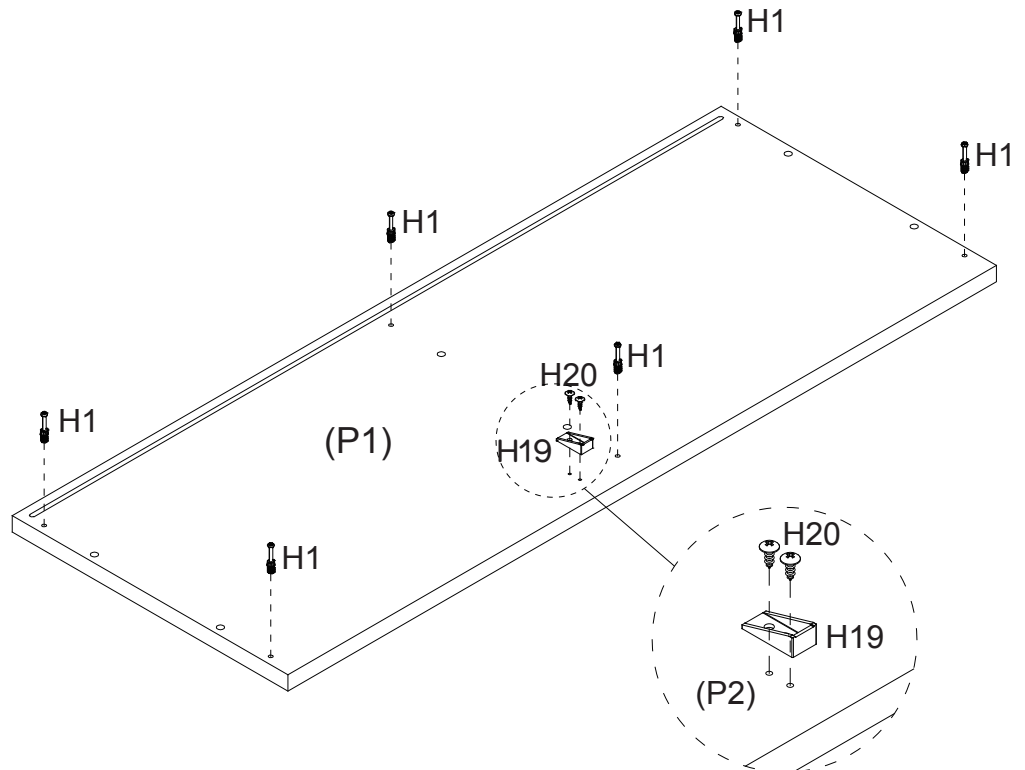
You will need	
	
6 x Cam Bolts (H1)	Phillips Head Screwdriver
	
2 x Stopper Screws (H20)	1 x Stopper (H19)



Attach 6 x cam bolts (H1) to bottom panel (P2) by tightening with the phillips head screwdriver.
Secure 1 x stopper (H19) to bottom panel (P2) as shown with 2 x stopper screws (H20) by tightening with the phillips head screwdriver.



Step 4

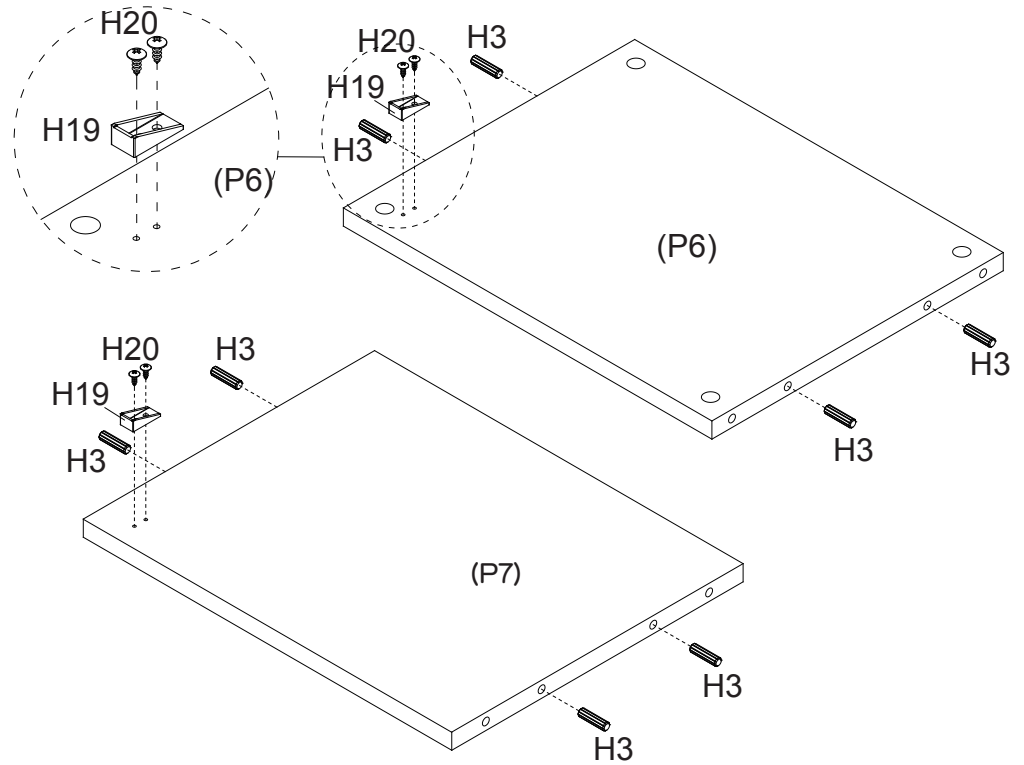
You will need	
	
6 x Cam Bolts (H1)	Phillips Head Screwdriver
	
2 x Stopper Screws (H20)	1 x Stopper (H19)



Attach 6 x cam bolts (H1) to top panel (P1) by tightening with the phillips head screwdriver.
Secure 1 x stopper (H19) to top panel (P1) as shown with 2 x stopper screws (H20) by tightening with the phillips head screwdriver.




Step 5

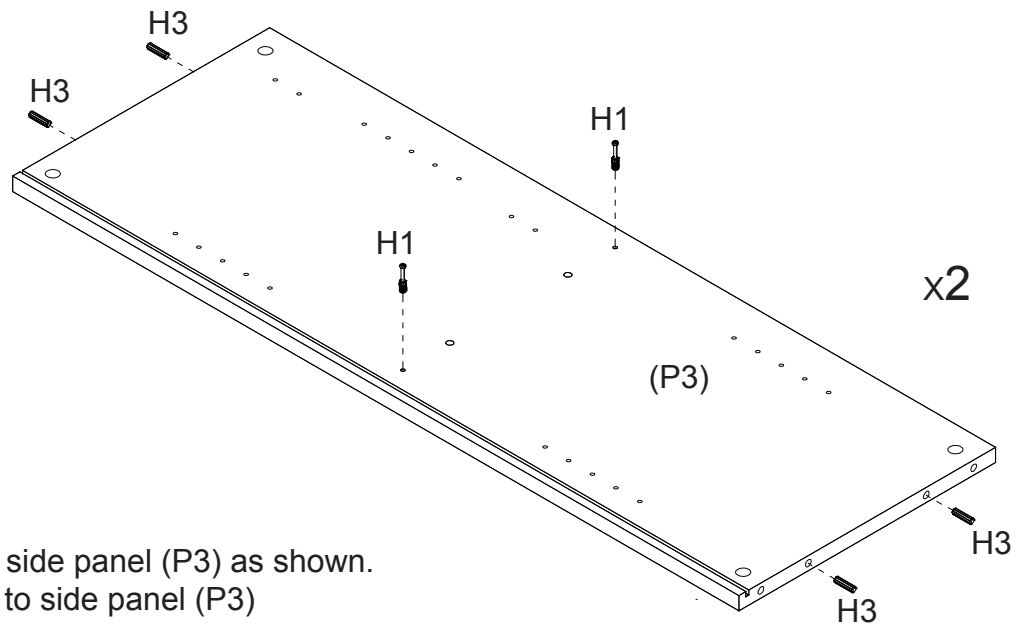
You will need	
	
8 x Dowels (H3)	Phillips Head Screwdriver
	
4 x Stopper Screws (H20)	2 x Stopper (H19)



Insert 8 x dowels (H3) into left & right fixed shelves (P6&P7) as shown. Secure 2 x stoppers (H19) to left & right fixed shelves (P6&P7) as shown with 4 x stopper screws (H20) by tightening with the phillips head screwdriver.

Step 6



You will need	
	
8 x Dowels (H3)	Phillips Head Screwdriver
	
4 x Cam Bolts (H1)	



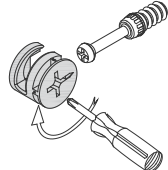
Insert 4 x dowels (H3) into side panel (P3) as shown. Secure 2 x cam bolts (H1) to side panel (P3) by tightening with the phillips head screwdriver. Repeat steps for the second side panel (P3).

Step 7

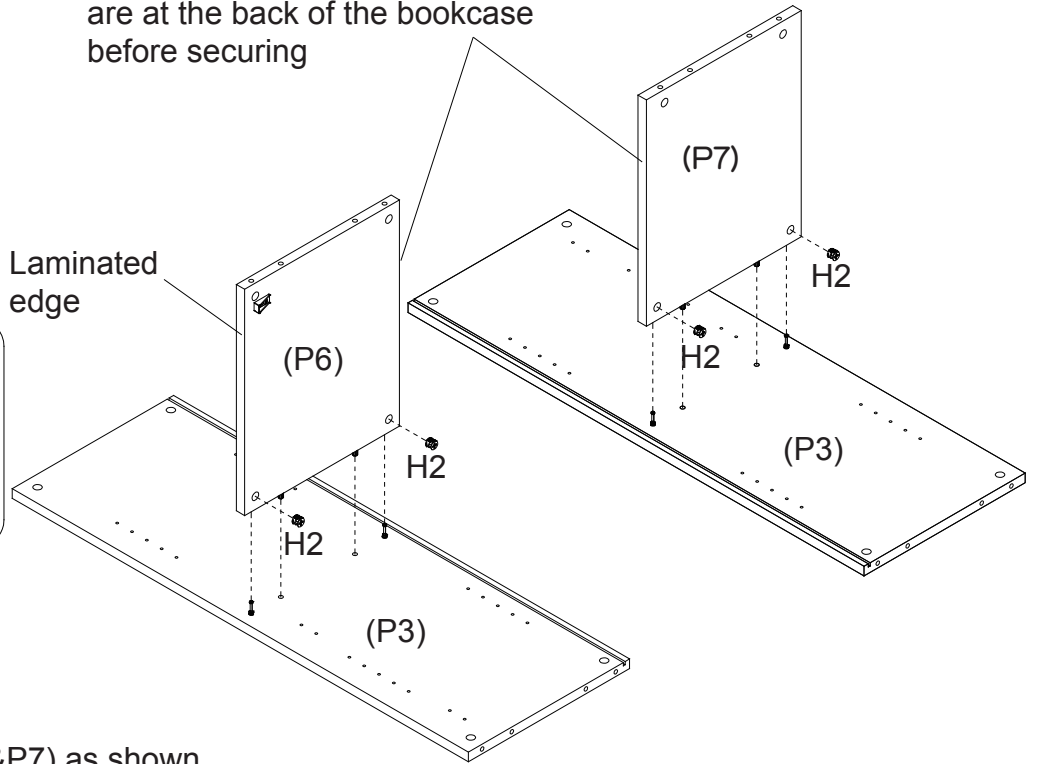
Ensure the raw edge of the shelves are at the back of the bookcase before securing

You will need	
	
4 x Cam Nuts (H2)	Phillips Head Screwdriver

This is how a cam nut works.....






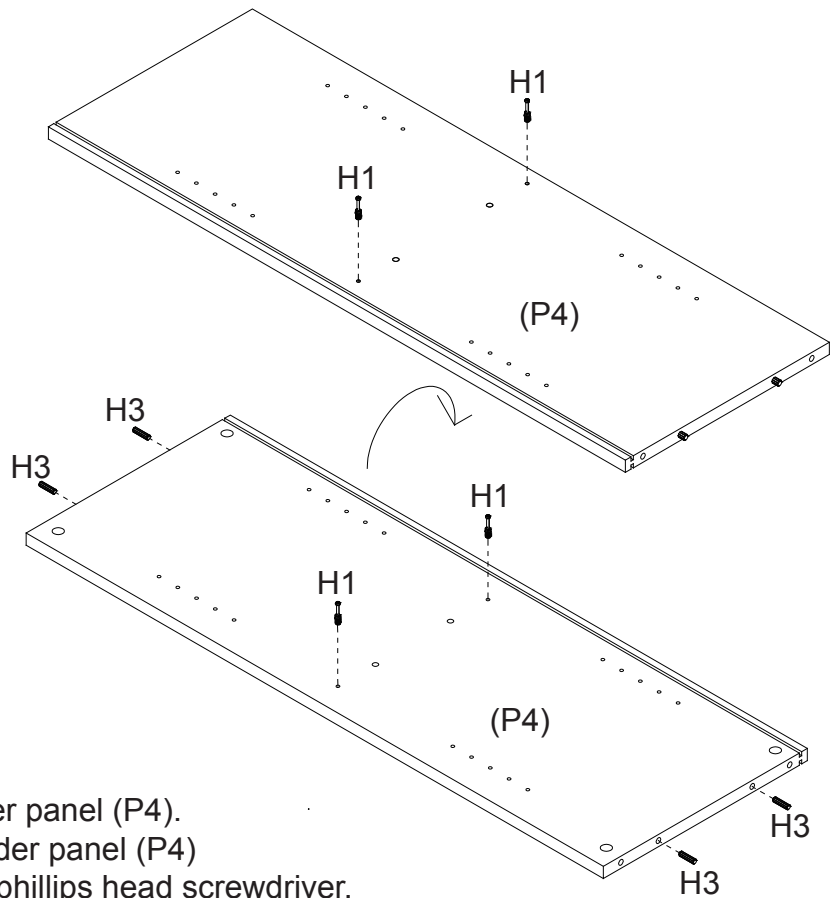
The head of the cam bolt goes into the open mouth of the cam nut. You then turn the cam nut so it tightens over the bolt.



Insert 4 x cam nuts (H2) into left & right fixed shelves (P6&P7) as shown. Rotate the cam nuts so the arrows point towards the incoming cam bolts. Attach left & right fixed shelves (P6xP7) to side panels (P3x2) by tightening the cam nuts with the phillips head screwdriver.

Step 8



You will need	
	
4 x Dowels (H3)	Phillips Head Screwdriver
	
4 x Cam Bolts (H1)	

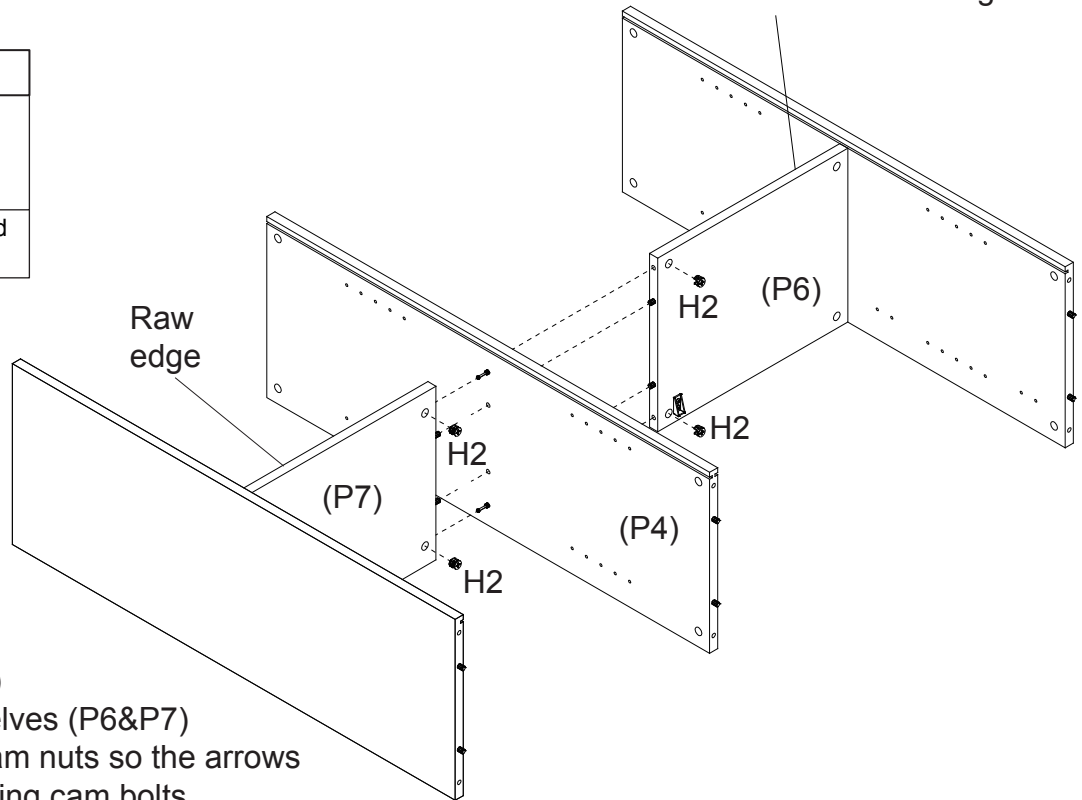


Insert 4 x dowels (H3) into divider panel (P4). Attach 2 x cam bolts (H1) to divider panel (P4) as shown by tightening with the phillips head screwdriver. Carefully turn the divider panel (P4) over and attach the remaining 2 x cam bolts (H1) by tightening with the phillips head screwdriver.

Step 9



Ensure the raw edge of the shelves are at the back of the bookcase before securing

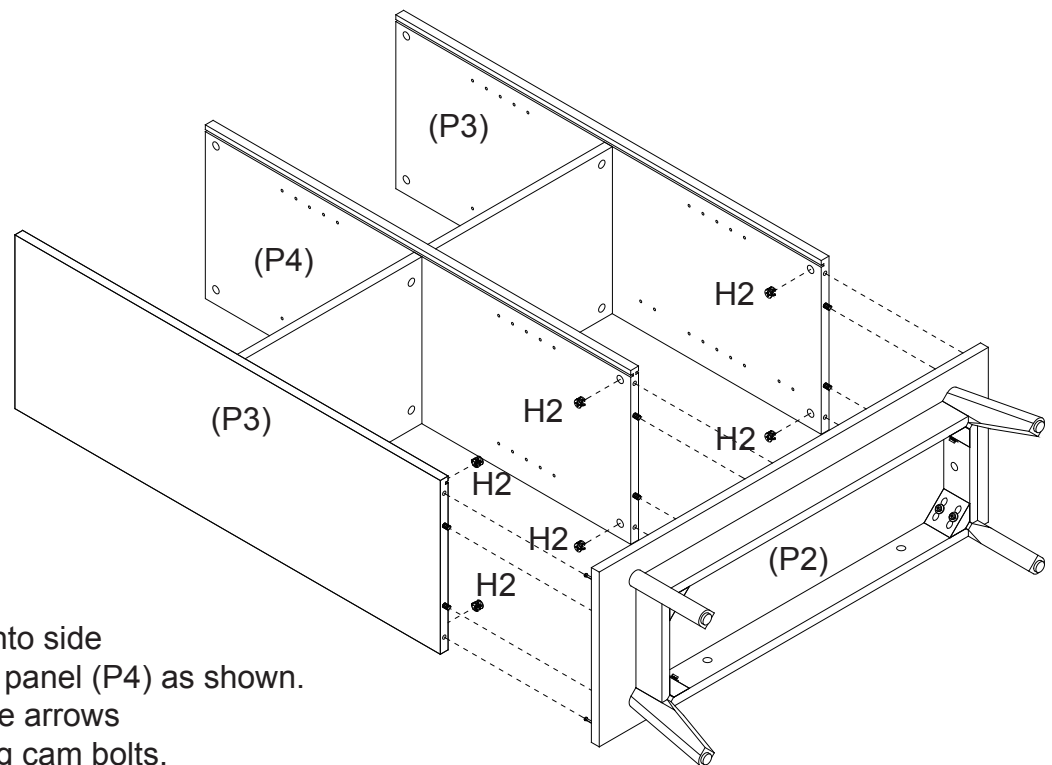
You will need	
	
4 x Cam Nuts (H2)	Phillips Head Screwdriver



Insert 4 x cam nuts (H2) into left & right fixed shelves (P6&P7) as shown. Rotate the cam nuts so the arrows point towards the incoming cam bolts. Attach left & right fixed shelves (P6xP7) to divider panels (P4) by tightening the cam nuts with the phillips head screwdriver.

Step 10

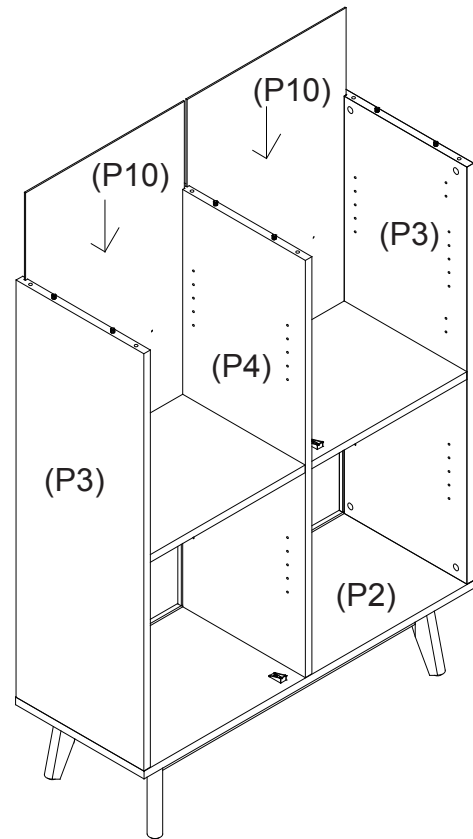
You will need	
	
6 x Cam Nuts (H2)	Phillips Head Screwdriver



Insert 6 x cam nuts (H2) into side panels (P3x2) and divider panel (P4) as shown. Rotate the cam nuts so the arrows point towards the incoming cam bolts. Attach side panels (P3x2) and divider panel (P4) to bottom panel (P2) as shown by tightening the cam nuts with the phillips head screwdriver.

Step 11

Slide back panels (P10x2) into the grooves of side panels (P3x2), divider panel (P4) and bottom panel (P2) as shown.

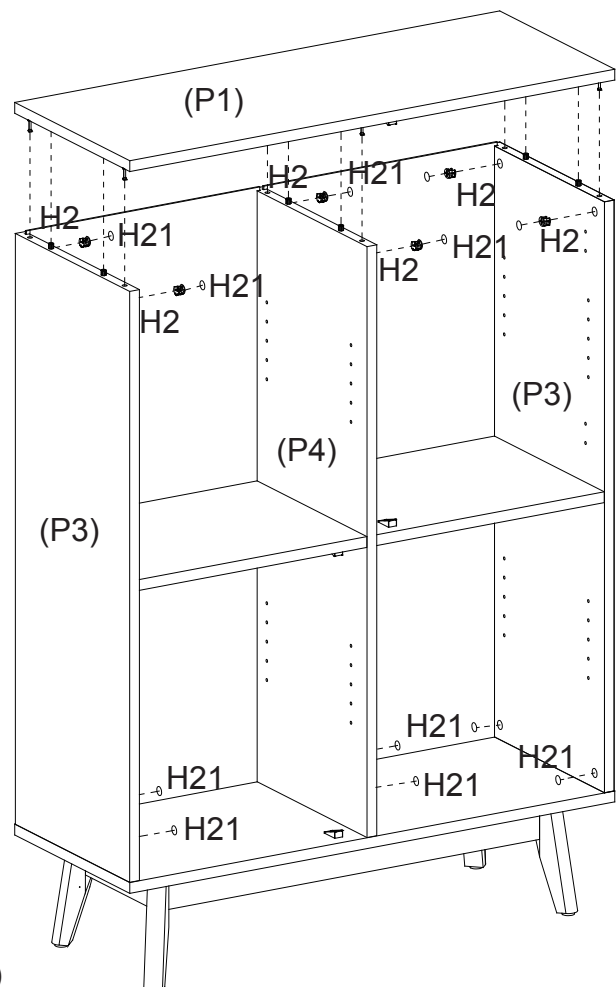


Step 12




You will need	
6 x Cam Nuts (H2)	Phillips Head Screwdriver
12 x Stickers (H21)	

Insert 6 x cam nuts (H2) into side panels (P3x2) and divider panel (P4) as shown. Rotate the cam nuts so the arrows point towards the incoming cam bolts. Attach top panel (P1) to side panels (P3x2) and divider panel (P4) by tightening the cam nuts with the Phillips Head Screwdriver.

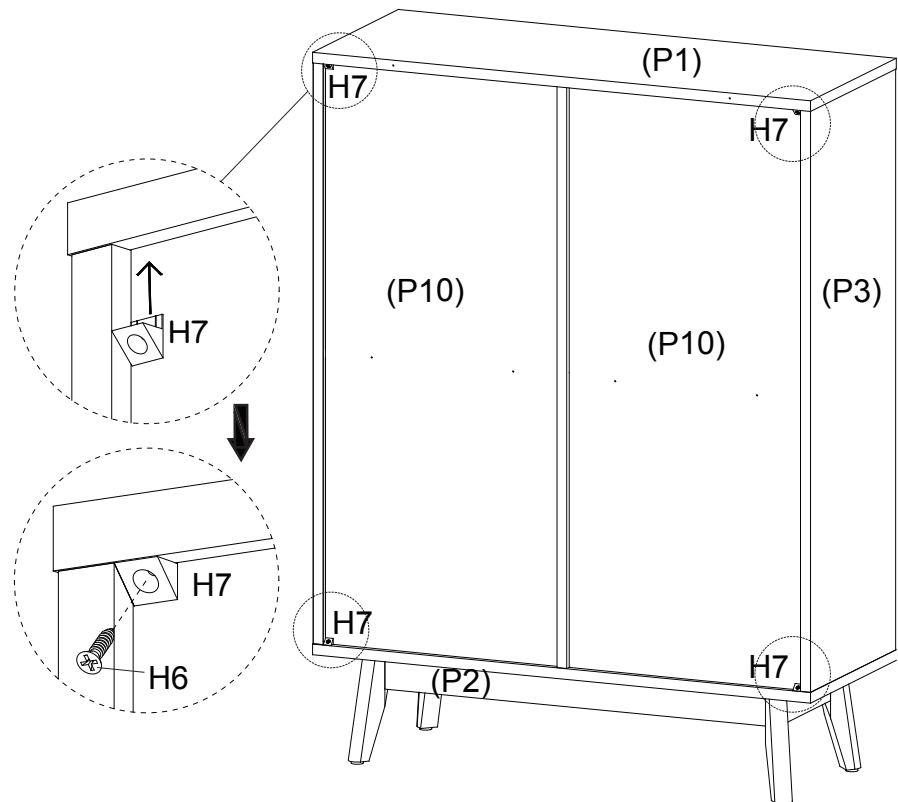
Peel off the adhesive backing of 12 x stickers (H21) and paste them over the cam nuts (H2) on the side panels (P3x2) and divider panel (P4).



Step 13



You will need	
	
4 x Back Panel Screws (H6)	4 x Back Panel Connectors (H7)
	
Phillips Head Screwdriver	

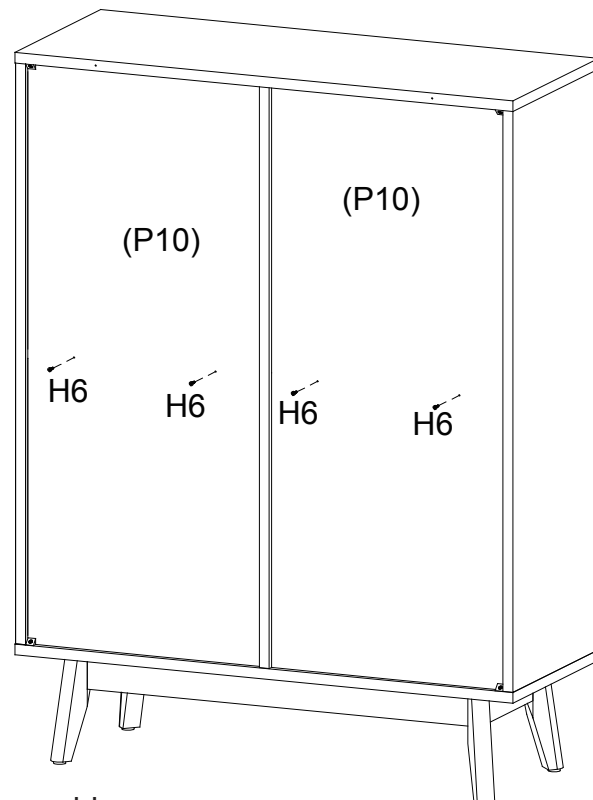
Ensure the corners of the bookcase are square before securing



Insert 4 x back panel connectors (H7) into the corners of the assembled bookcase as shown and secure with 4 x back panel screws (H6) by tightening with the phillips head screwdriver.

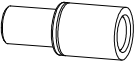
Step 14

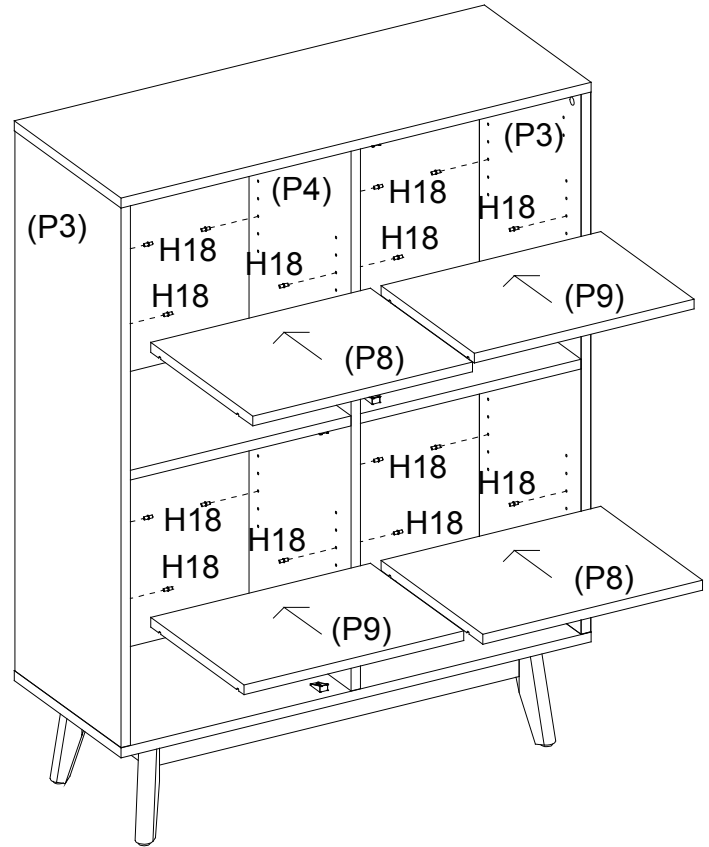
You will need	
	
4 x Back Panel Screws (H6)	Phillips Head Screwdriver



Secure back panels (P10x2) in place with 4 x back panel screws (H6) as shown by tightening with the phillips head screwdriver.

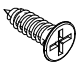
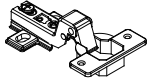

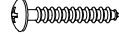

Step 15

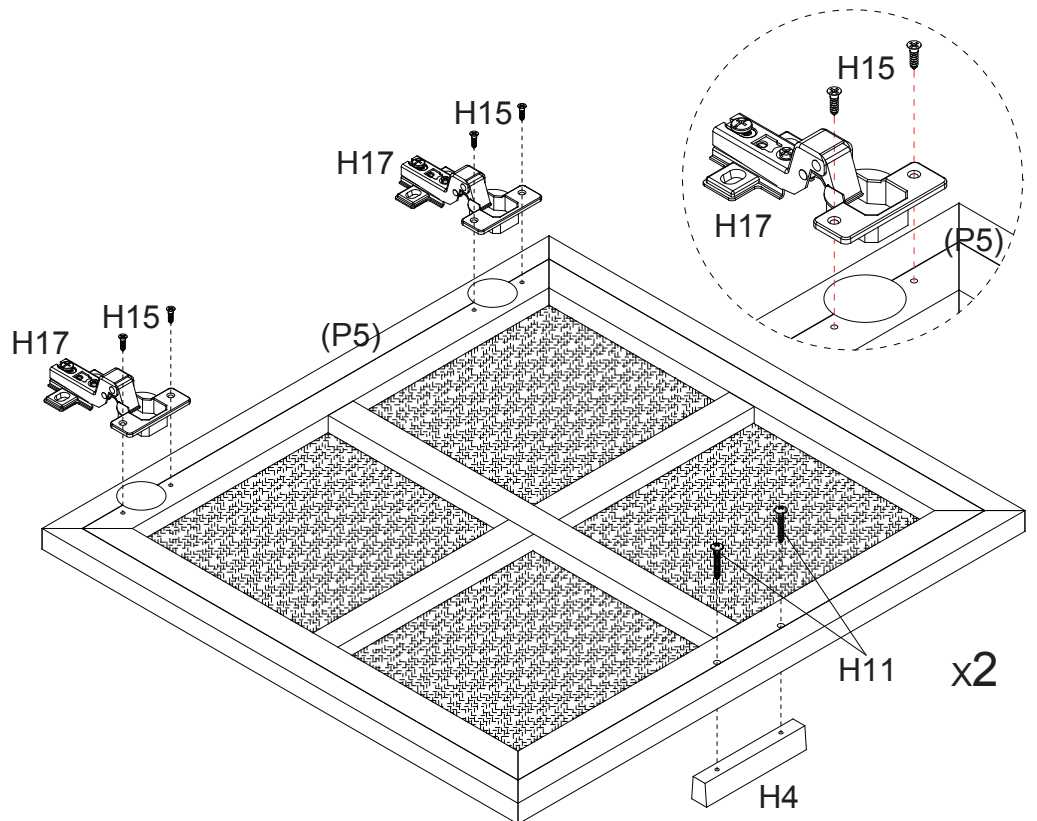
You will need	
	
16 x Shelf Pins (H18)	



Insert 16 x shelf pins (H18) into side panels (P3x2) and divider panel (P4) at your desired height. Place shelf A & B (P8x2 & P9x2) into bookcase as shown by resting on the shelf pins. Ensure the shelves are firmly secured in place before using.


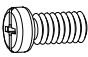
Step 16

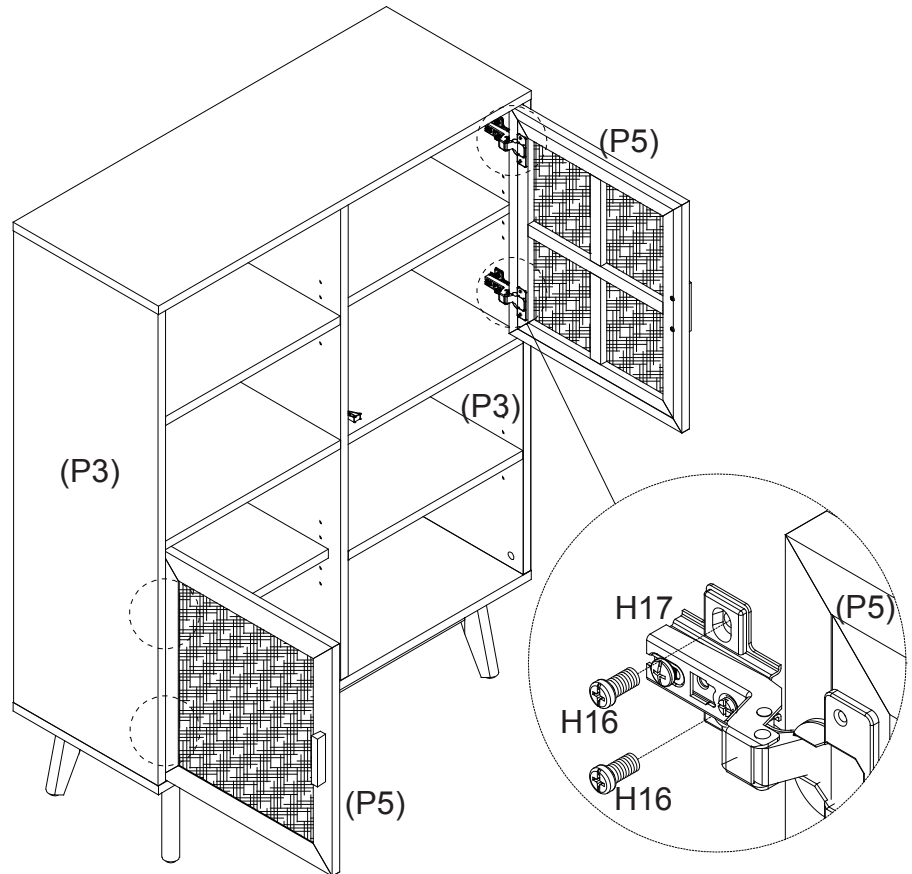
You will need	
	
8 x Hing Screws (H15)	4 x Hinges (H17)
	
2 x Handles (H4)	4 x Handle Screws (H11)
	
Phillips Head Screwdriver	



Attach 2 x hinges (H17) to door (P5) with 4 x hinge screws (H15) by tightening with the phillips head screwdriver. Secure handle (H4) to door (P5) as shown with 2 x handle screws (H11) by tightening with the phillips head screwdriver. Repeat steps for the second door (P5).

Step 17


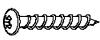


You will need	
	
Phillips Head Screwdriver	8 x Door Screws (H16)

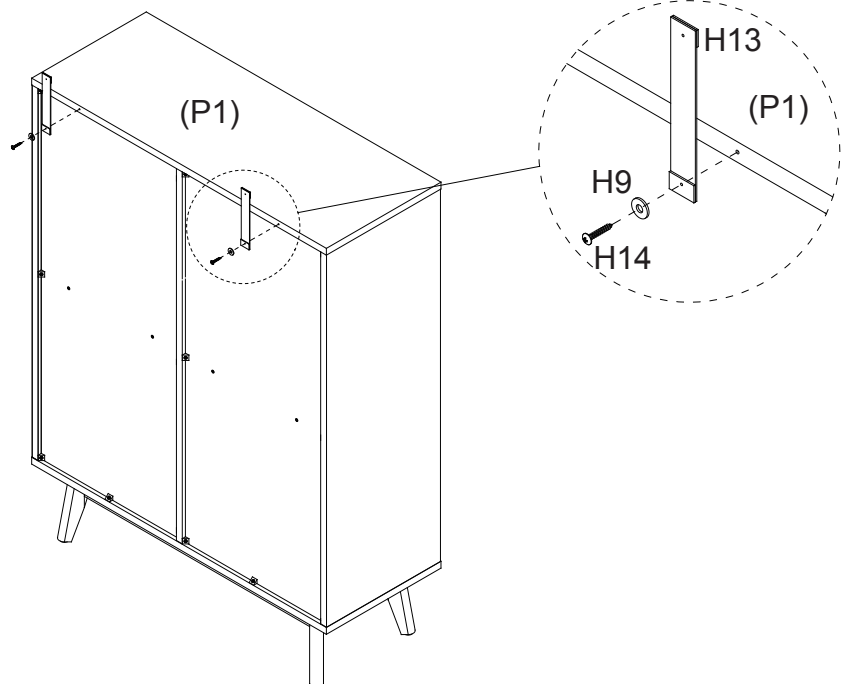


Attach 2 x hinges (H17) on doors (P5x2) to side panels (P3x2) as shown with 8 x door screws (H16) by tightening with the phillips head screwdriver.

Step 18



We strongly recommend that this product is permanently fixed to the wall or other suitable surface.

You will need	
	
2 x Flat Washers (H9)	2 x Wall Strap Screws (H14)
	
2 x Wall Straps (H13)	Phillips Head Screwdriver

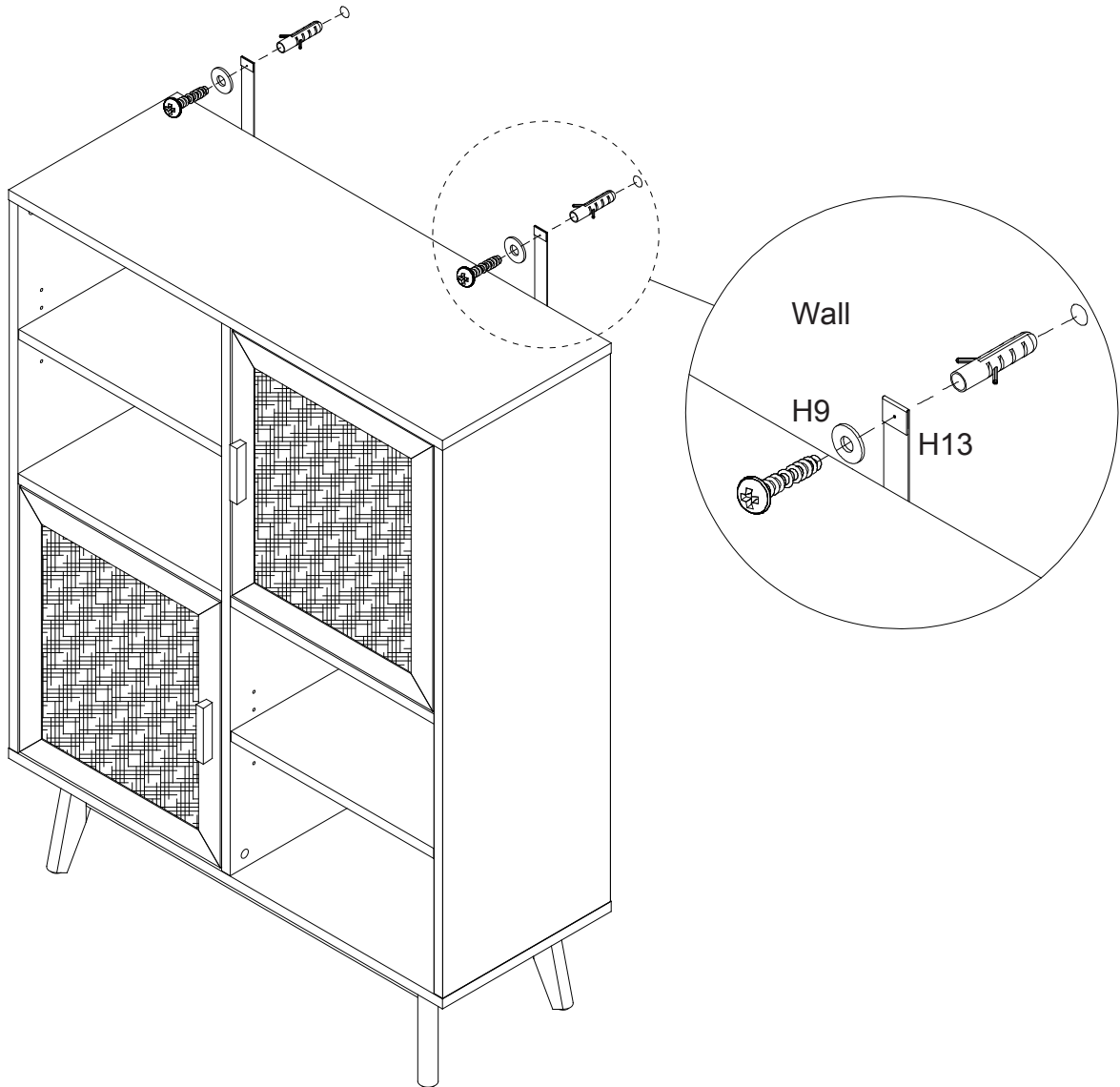


Attach wall straps (H13) to back of top panel (P1) with 2 x flat washers (H9) and 2 x wall strap screws (H14) by tightening with the phillips head screwdriver.

Step 19

You will need	
	
2 x Flat Washers (H9)	Phillips Head Screwdriver

Seek advice from a qualified trades person on how to attach this wall strap to your specific wall.



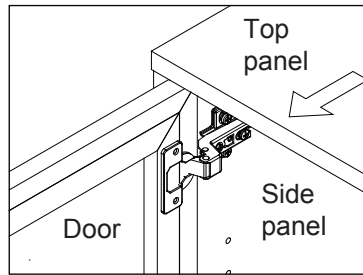
Screw and wall plug are not included.
Please use appropriate fixtures for your wall.

With assistance, move the bookcase to the final position.
Attach the wall straps to the wall with the appropriate fixtures.
Make sure they are firmly attached and secure.

TO ADJUST YOUR DOORS TO MAKE THE GAPS MORE EVEN (OPTIONAL).

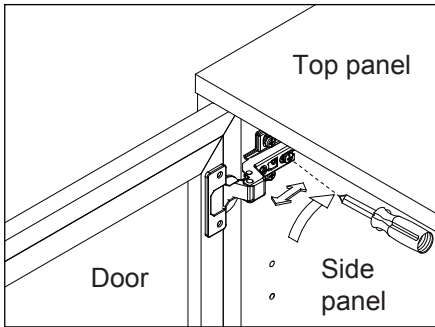
STEP 1

Open the door.



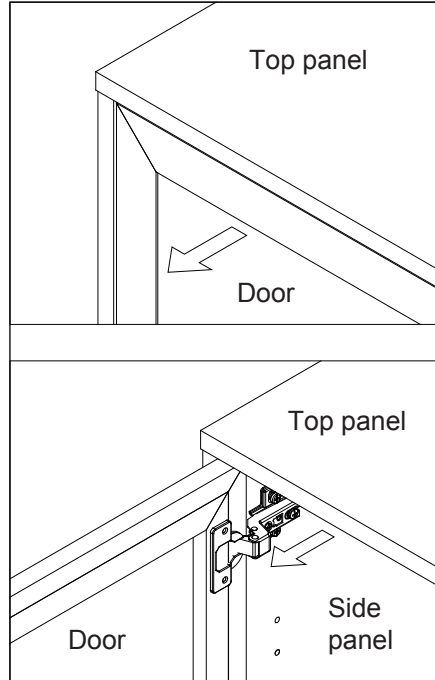
STEP 2

Adjust the door panel to be flush with side panel and top panel edge.



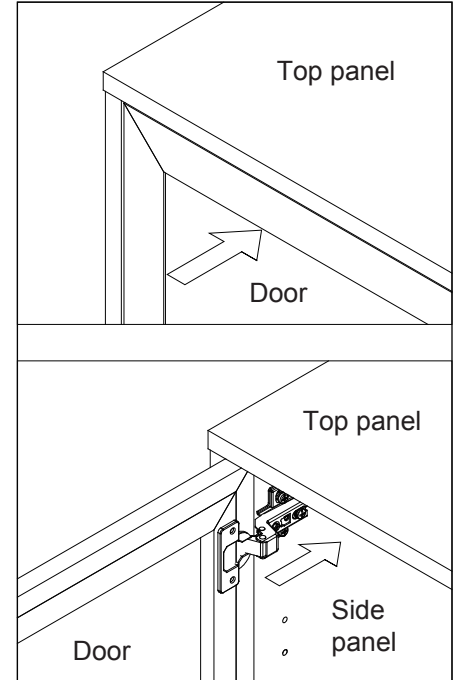
Slightly loosen the screw indicated and adjust the hinge to the desired position (see step 2a & 2b), then tighten the screw with a phillips head screwdriver.

STEP 2a MOVE DOOR OUT



Slightly pull the hinge forward.

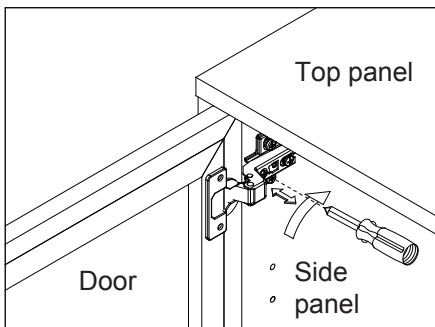
STEP 2b MOVE DOOR IN



Slightly push the hinge back.

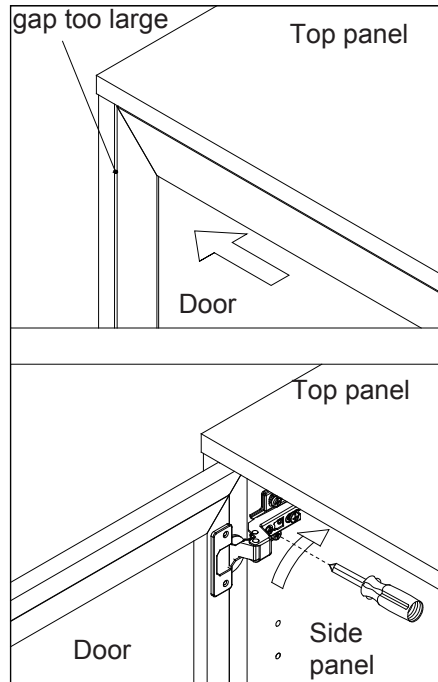
STEP 3

Adjust the gap between door panel and side panel.



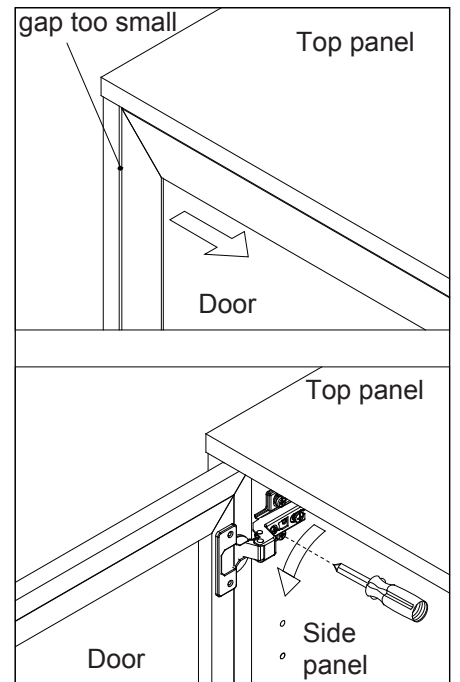
Slightly loosen or tighten the screw indicated and adjust the hinge to the desired position (see step 3a & 3b).

STEP 3a MOVE DOOR LEFT

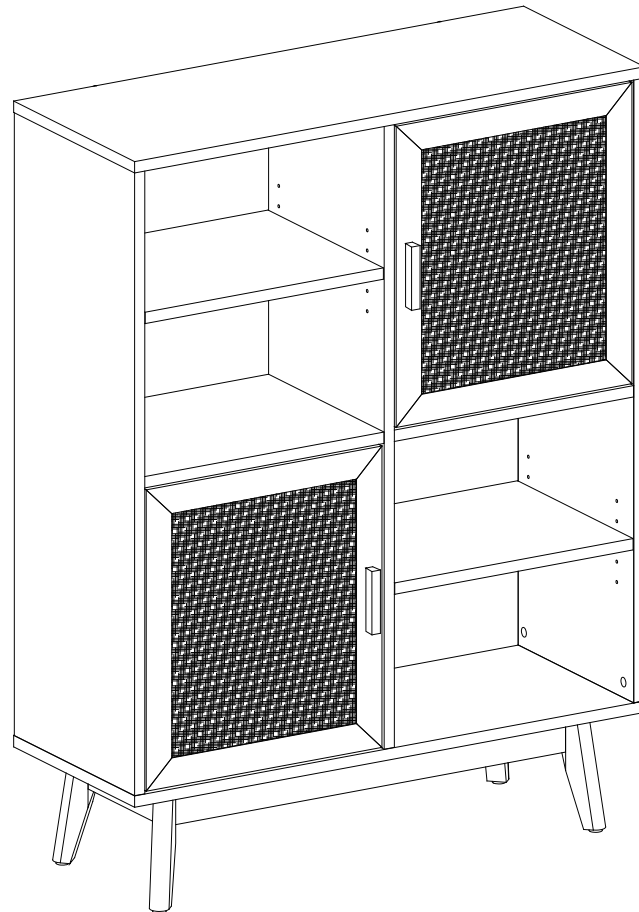


Slightly turn the screw clockwise to make the gap smaller.

STEP 3b MOVE DOOR RIGHT



Slightly turn the screw counterclockwise to make the gap larger.



Job complete!

In the interest of our environment please dispose
of all packaging thoughtfully.