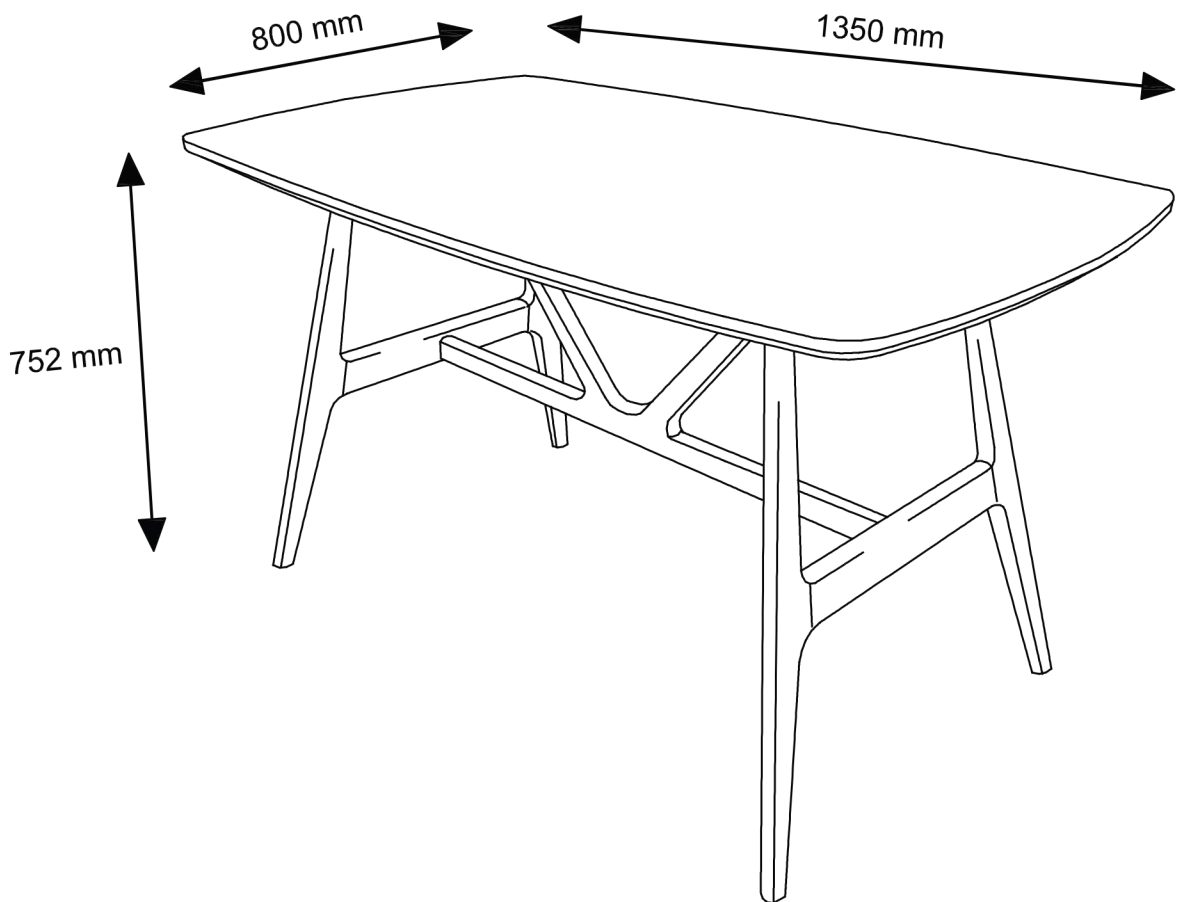


Assembly Instructions

Goran Dining Table

517698 / 520710



Keep these instructions for future reference

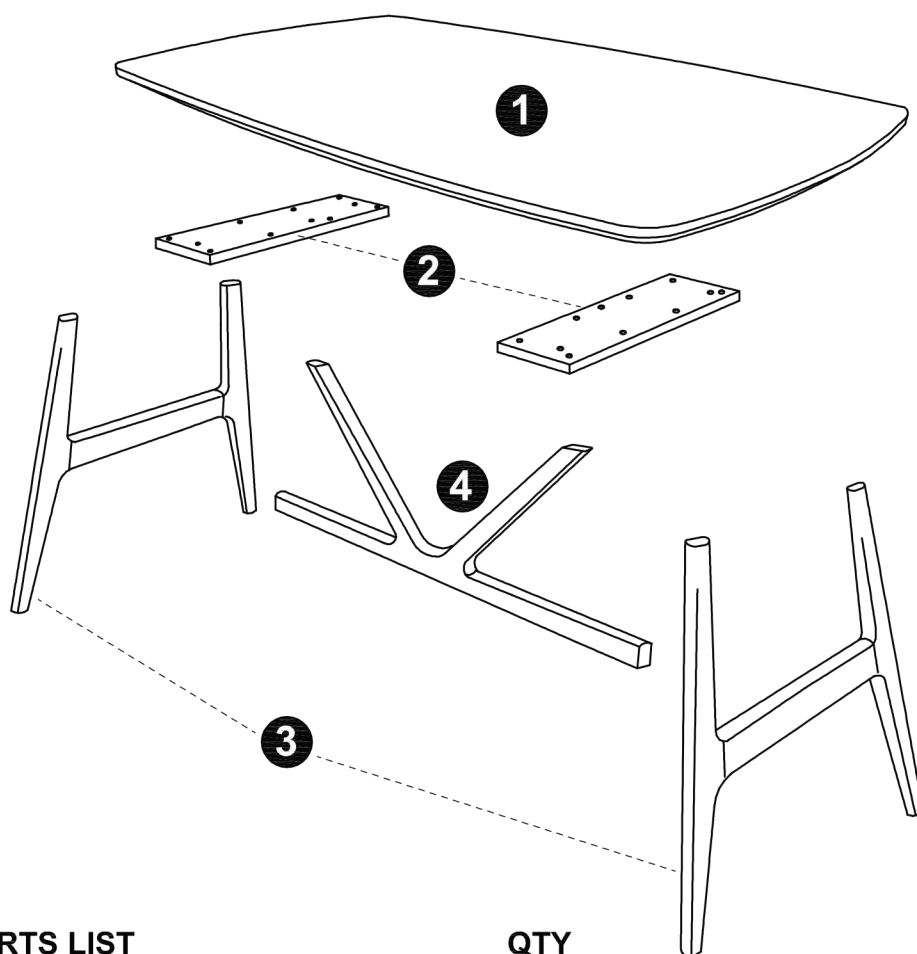
Assemble the furniture on a soft level surface to avoid damaging the furniture or your floor.

We recommend furniture be assembled near where they will be placed, to avoid moving the product unnecessarily once assembled.

If there is a need to move the furniture, please remove all loose items and have extra hands to help lift the furniture to the desired location. Dragging the furniture will damage both the furniture and the floor.

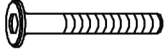



Regularly check and re-tighten (if necessary) all bolts on furniture that you have assembled yourself.

PARTS LIST

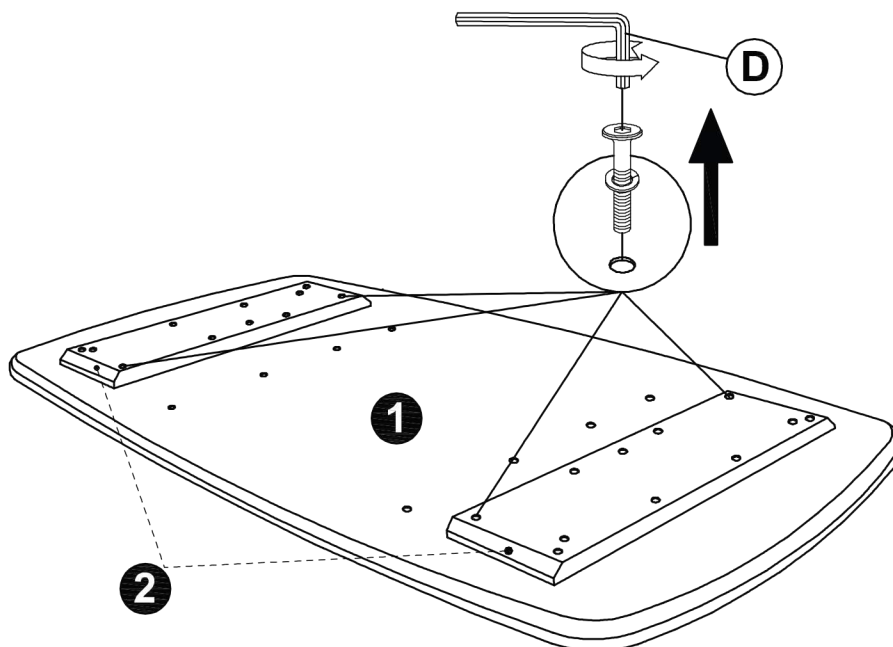


NO.	PARTS LIST	QTY
(1)	TABLE TOP	1
(2)	MOUNTING PLATE	2
(3)	LEG FRAME	2
(4)	CENTER SUPPORT	1

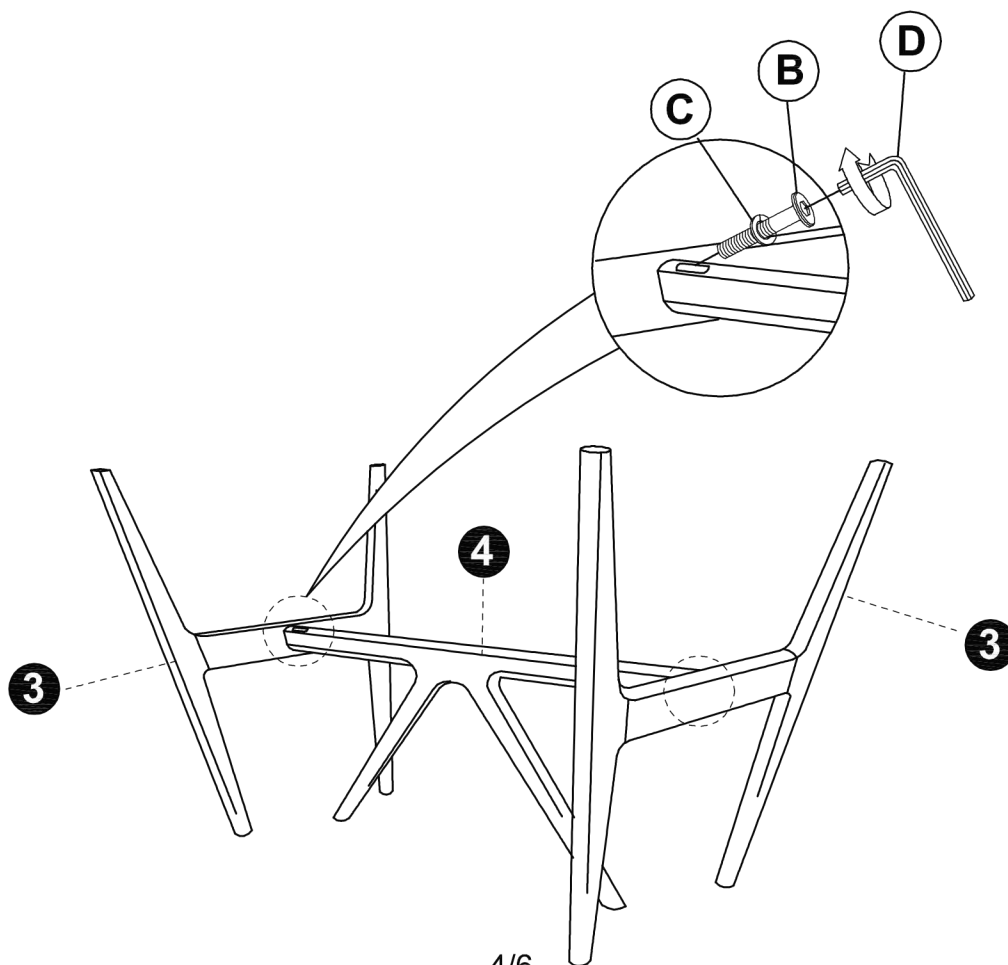
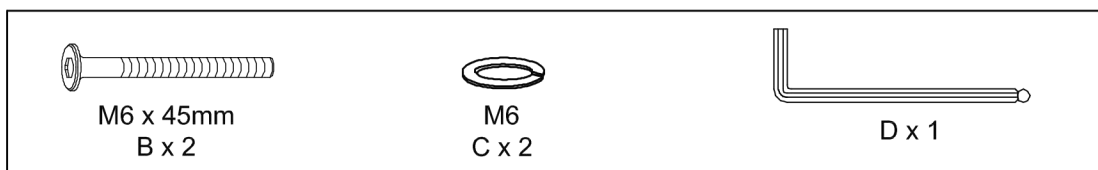
HARDWARE LIST

NO.	DESCRIPTION	QTY
A	BOLT M6x30 MM 	18
B	BOLT M6x45 MM 	2
C	SPRING WASHER M6 	20
D	ALLEN KEY M4x110 MM 	1

1



2

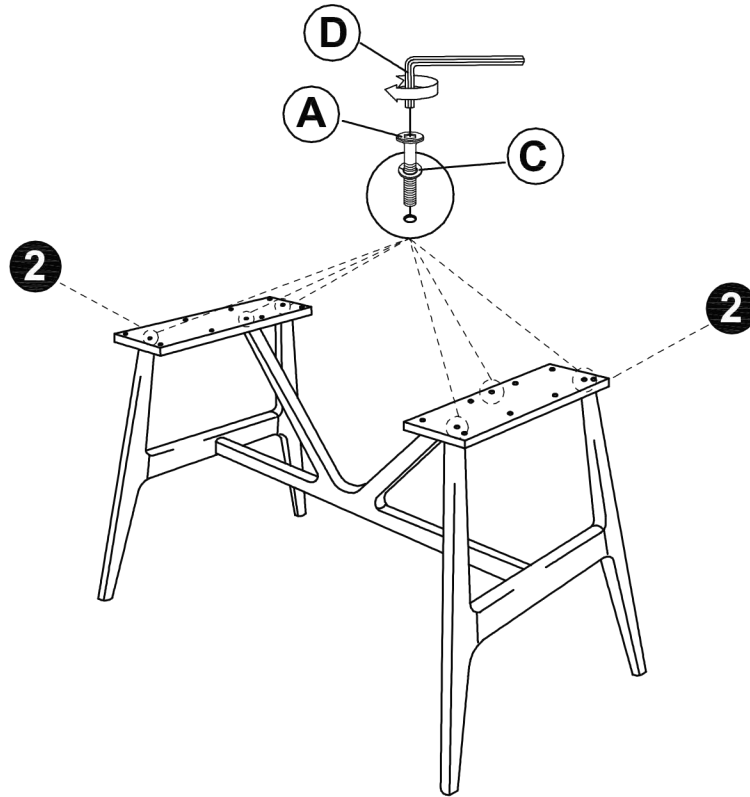


3

M6 x 30mm
A x 6

M6
C x 6

D x 1

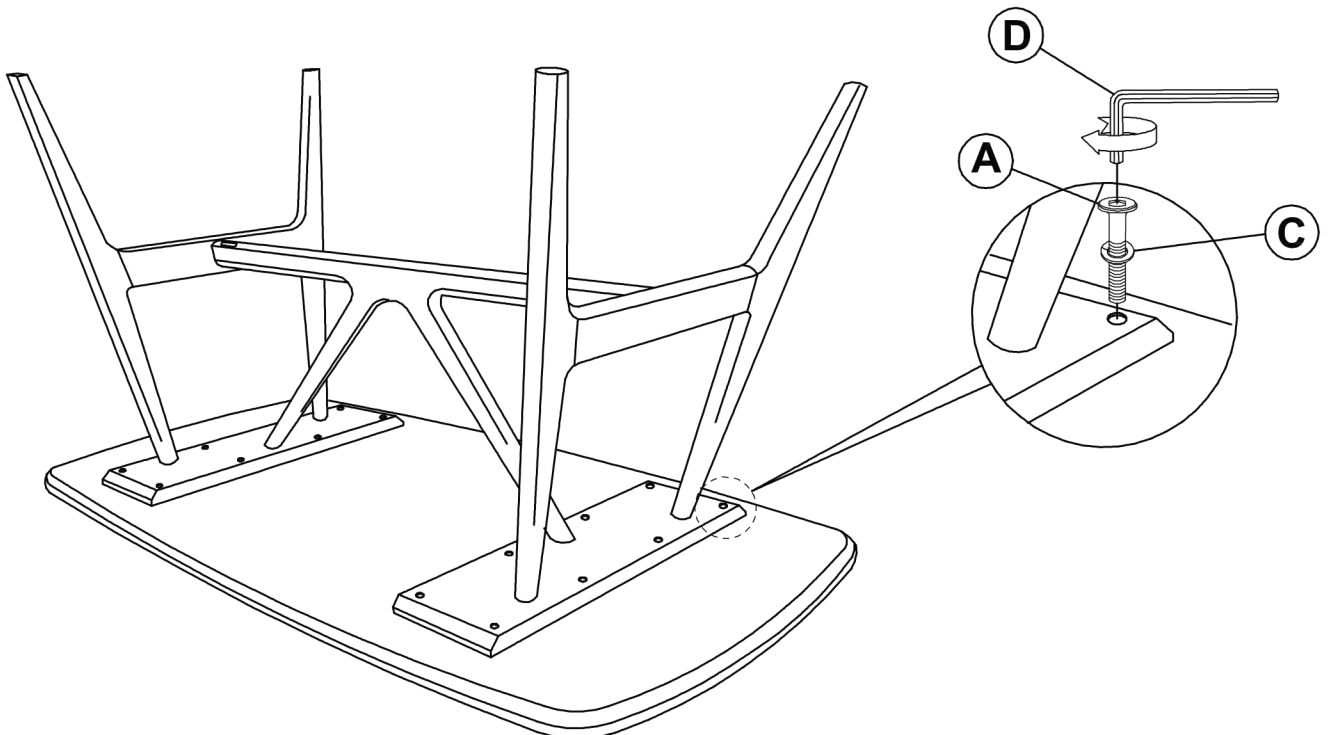


4

M6 x 30mm
A x 16

M6
C x 16

D x 1



5

