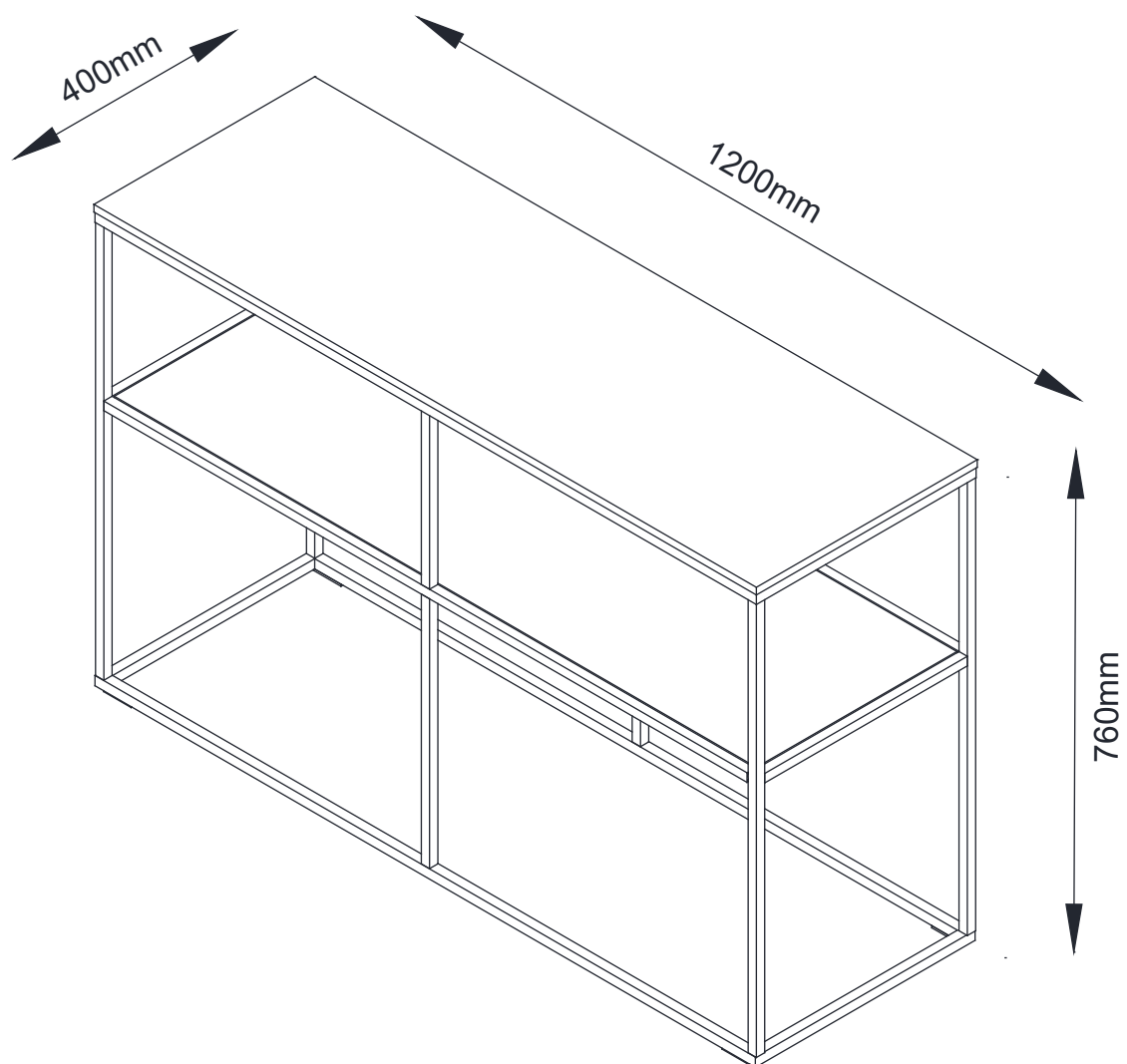


Assembly Instructions

Oxford TV Unit

520589



Keep these instructions for future reference

Assemble the furniture on a soft level surface to avoid damaging the furniture or your floor.

We recommend furniture be assembled near where they will be placed, to avoid moving the product unnecessarily once assembled.

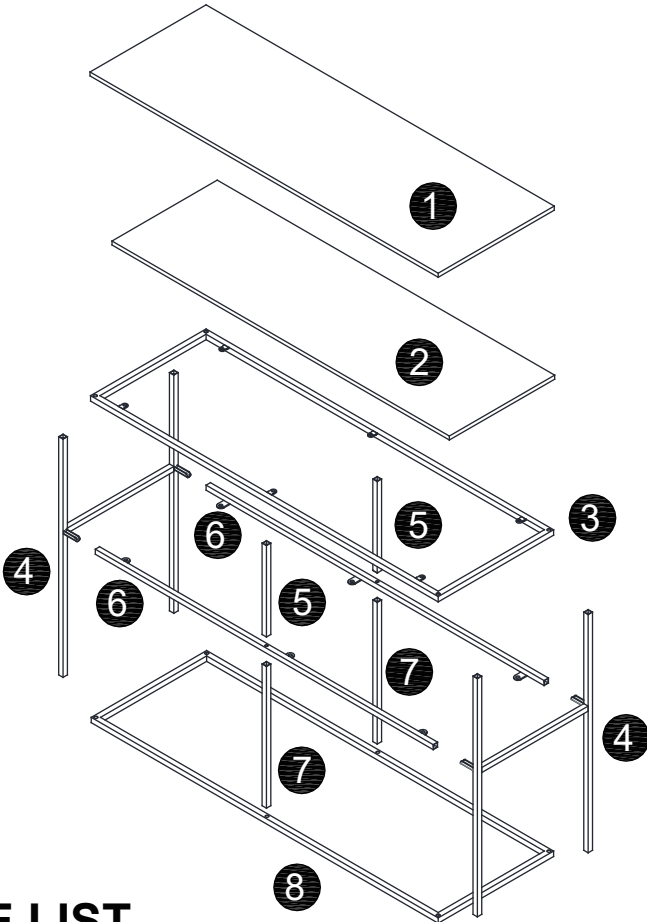
If there is a need to move the furniture, please remove all loose items and have extra hands to help lift the furniture to the desired location. Dragging the furniture will damage both the furniture and the floor.

Regularly check and re-tighten (if necessary) all bolts on furniture that you have assembled yourself.

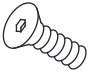
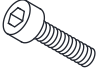
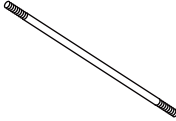





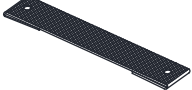
NOTE:

It is essential that this product is fixed to a wall using the strap supplied. Wall fixings are not supplied, different walls require unique wall fixings. For advice on suitable wall fixings, contact your local specialised dealer.

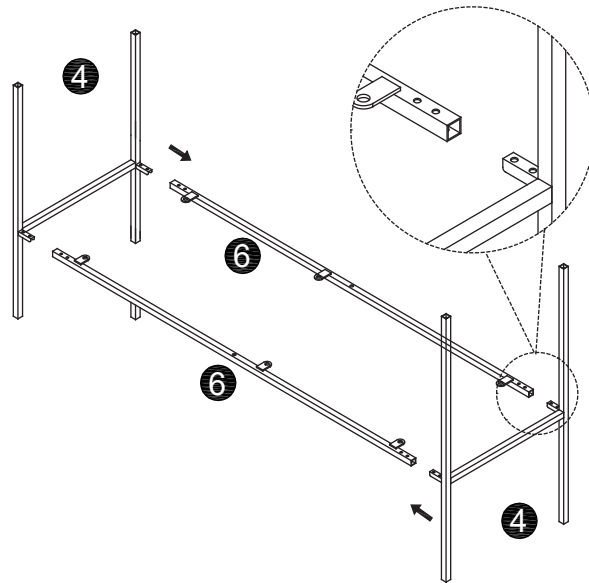
PARTS LIST



HARDWARE LIST


<p>Ax8</p>  <p>M6x10mm</p>	<p>Bx10</p>  <p>M6x30mm</p>	<p>Cx2</p>  <p>M6x480mm</p>	<p>Dx2</p>  <p>M6x15mm</p>
<p>Ex12</p>  <p>M6x15mm</p>	<p>Fx12</p> 	<p>Gx1</p>  <p>4mm</p>	<p>Hx1</p>  <p>5mm</p>
<p>Ix2</p> 			

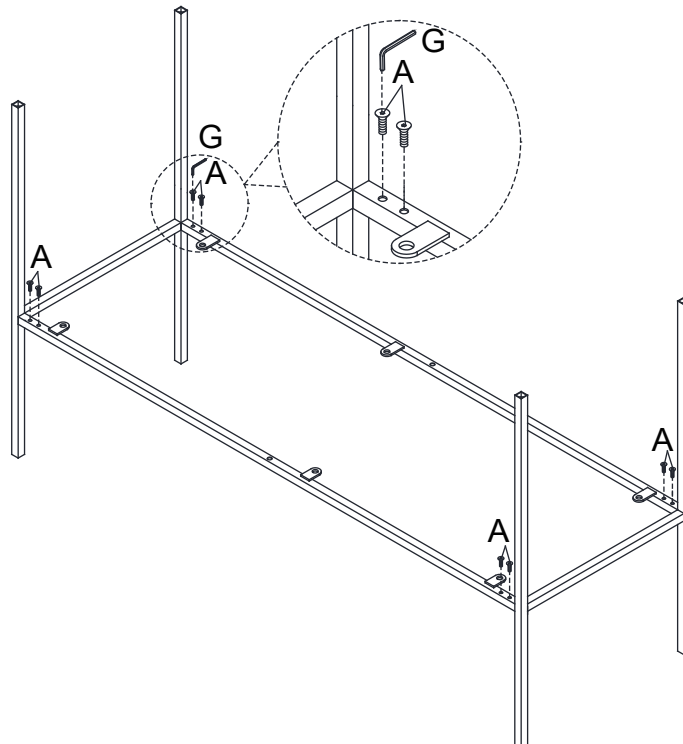
1



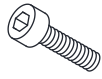
2


Ax8
M6x10mm


Gx1



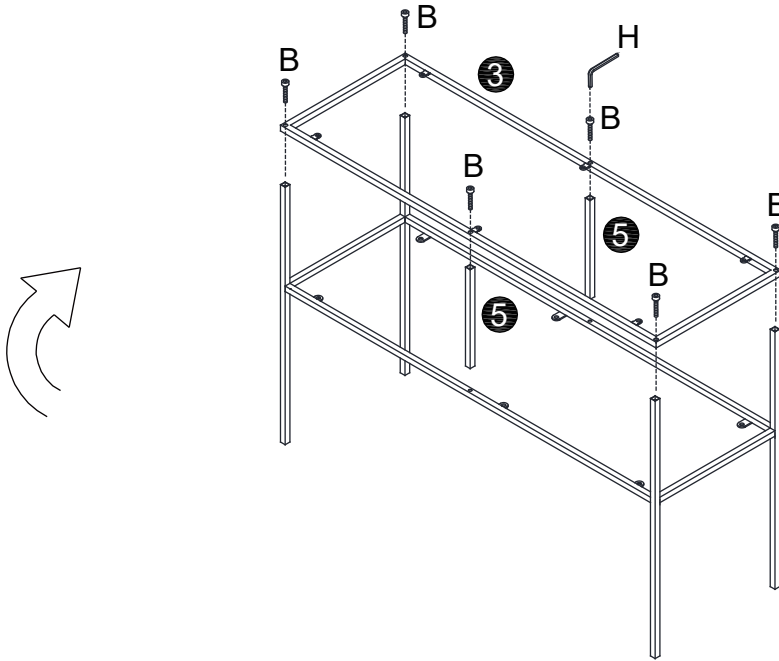
3



Bx6
M6x30mm



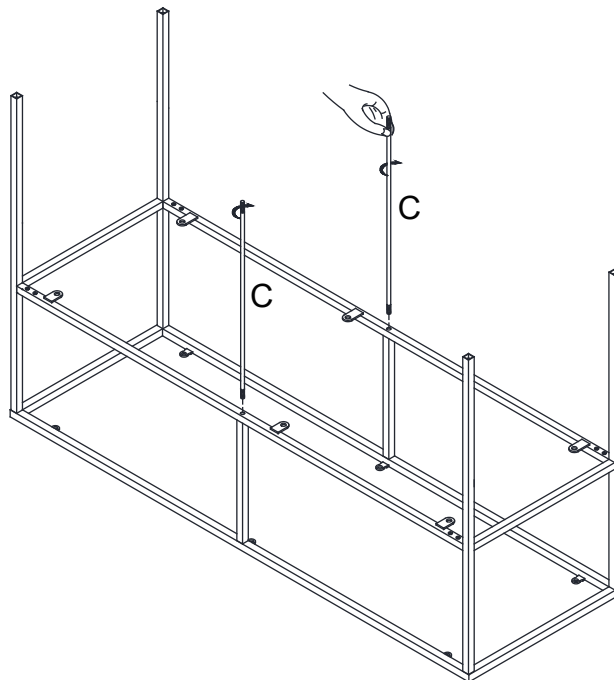
Hx1



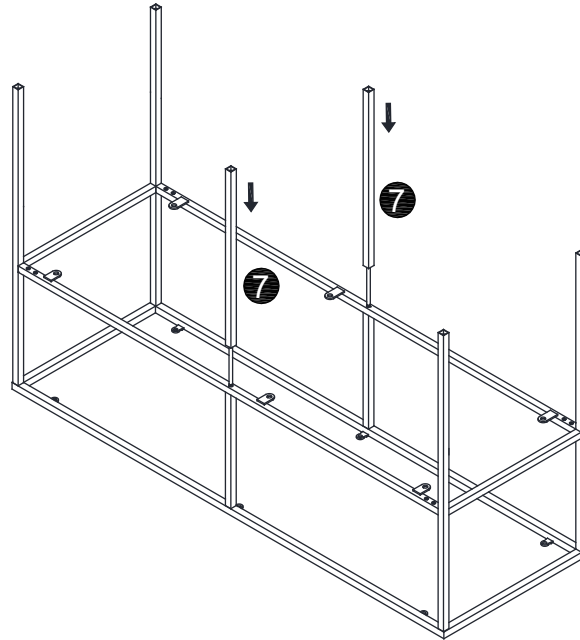
4



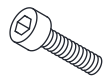
Cx2
M6x480mm



5



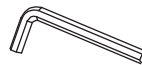
6



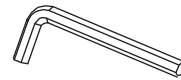
Bx4
M6x30mm



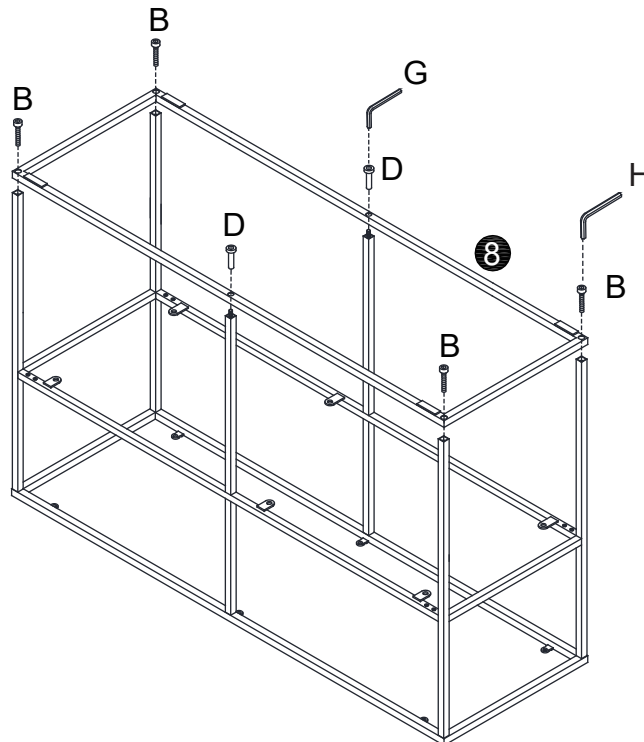
Dx2



Gx1



Hx1



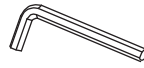
7



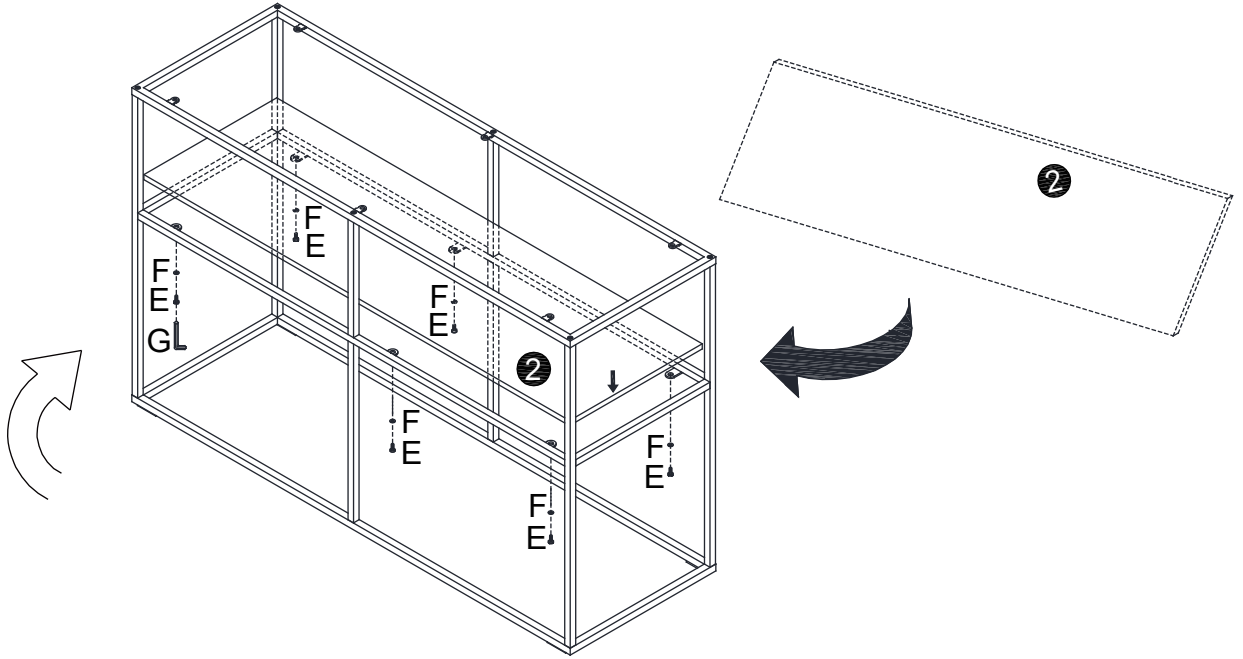
Ex6
M6x15mm



Fx6



Gx1



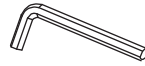
8



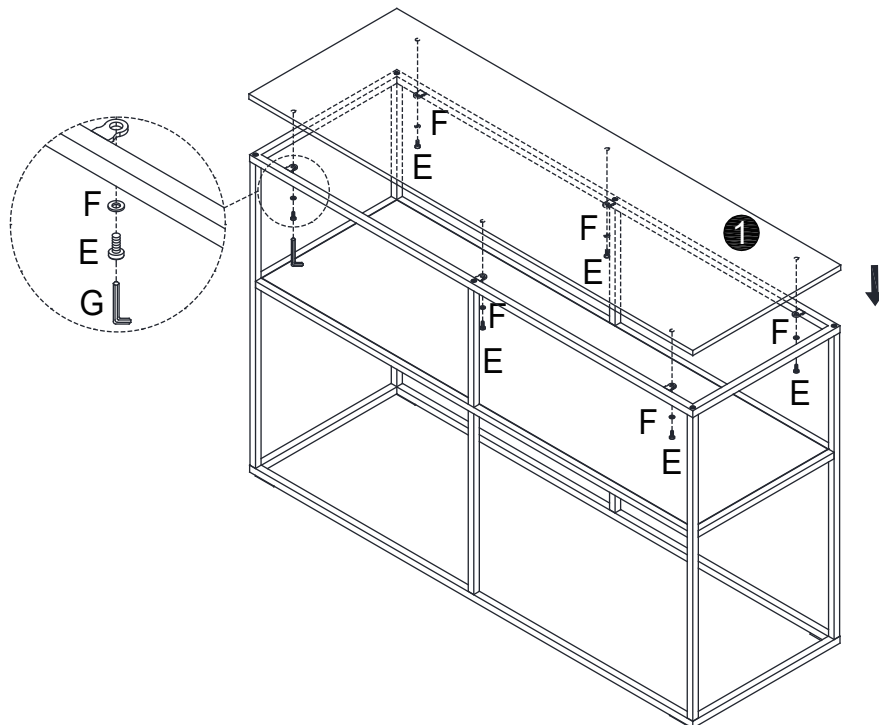
Ex6
M6x15mm



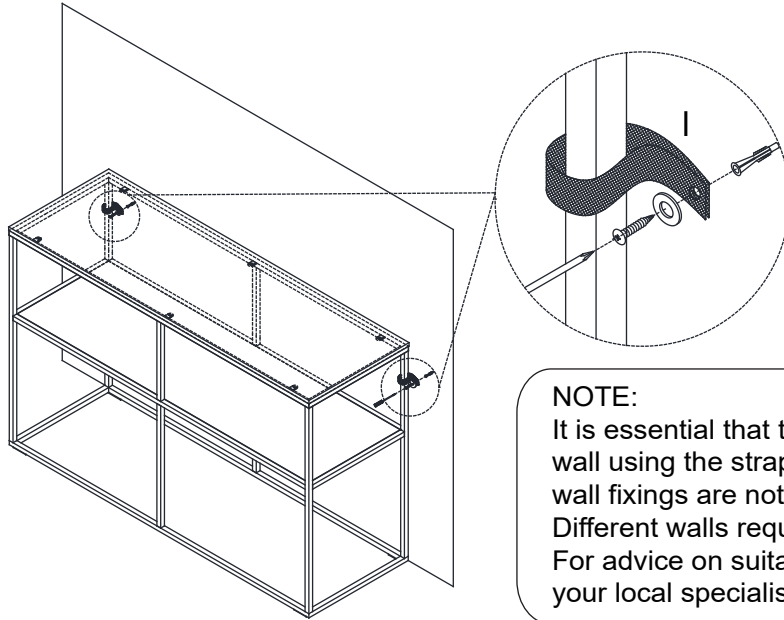
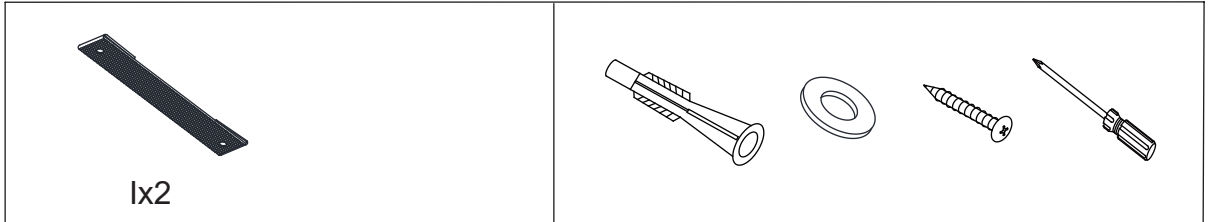
Fx6



Gx1



9



NOTE:
It is essential that this product is fixed to a wall using the strap supplied.
wall fixings are not supplied.
Different walls require unique wall fixings
For advice on suitable wall fixings, contact your local specialised dealer.

10

