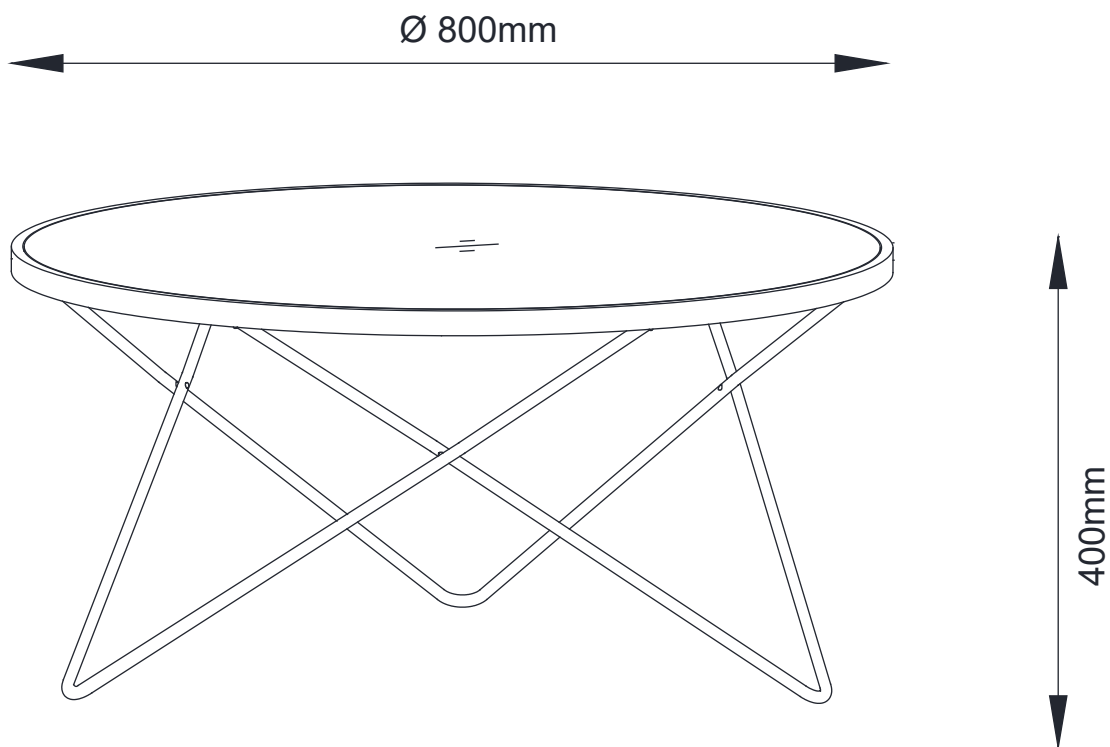


Assembly Instructions

Rhodes Coffee Table

520574



Keep these instructions for future reference

Assemble the furniture on a soft level surface to avoid damaging the furniture or your floor.

We recommend furniture be assembled near where they will be placed, to avoid moving the product unnecessarily once assembled.

If there is a need to move the furniture, please remove all loose items and have extra hands to help lift the furniture to the desired location. Dragging the furniture will damage both the furniture and the floor.

Regularly check and re-tighten (if necessary) all bolts on furniture that you have assembled yourself.

Tools Required

Care and Maintenance of your Furniture

Do not place very hot or cold items on the glass surfaces unless adequate thick table mats are used to prevent such items from coming in contact with the glass.

Do not sit or stand upon the glass surfaces.

Do not use the glass as a chopping surface.

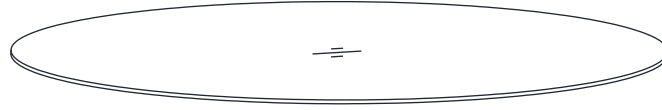
Do not strike the glass with hard or pointed items.

When cleaning the glass panels use a damp cloth with washing up liquid or soft soap if necessary,

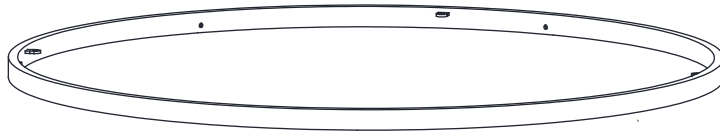
Do not use washing powders or any other substances containing abrasives since these substances scratch glass.

If the glass is chipped or broken, stop using the product and consult the seller.

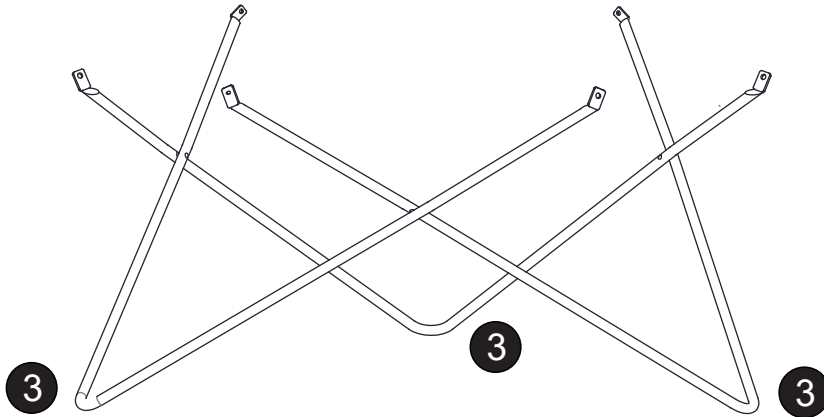
PARTS LIST



1



2



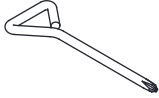



3

3

3

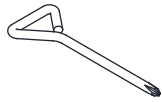
HARDWARE LIST

Ax6  M5x10mm	Bx3  M5x20mm	Cx1 	Dx4 
---	---	---	--

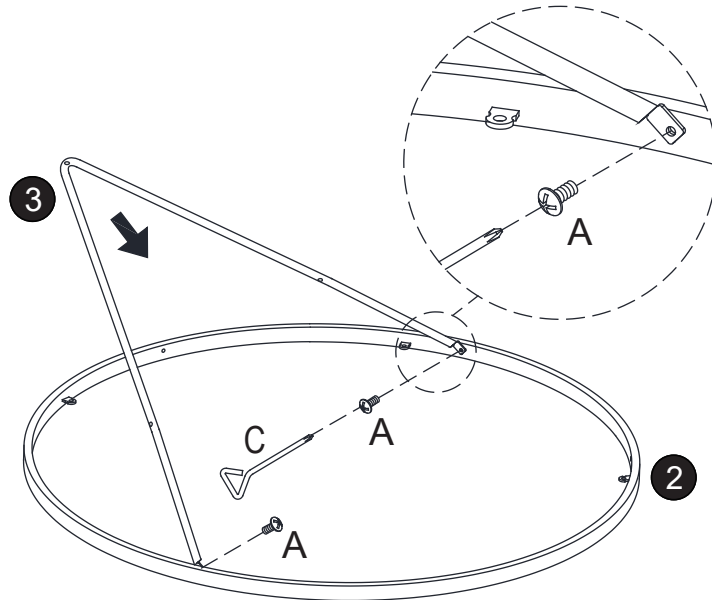
1



Ax2
M5x10mm



Cx1



2



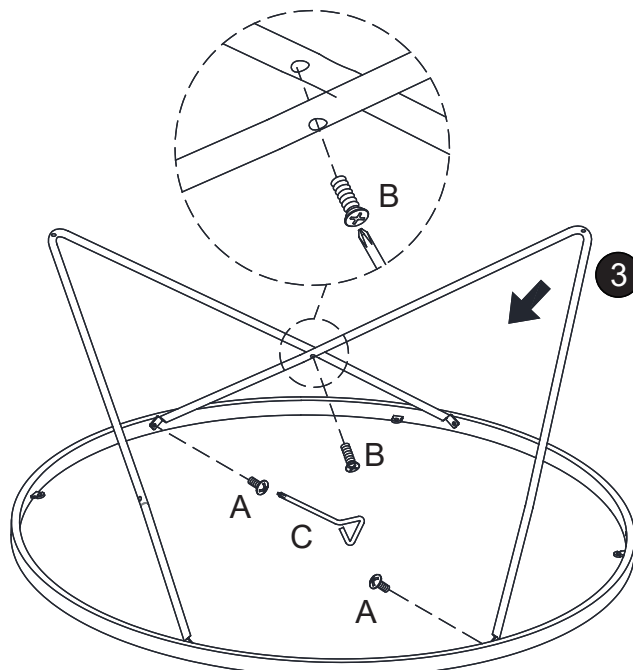
Ax2
M5x10mm



Bx1
M5x20mm




Cx1

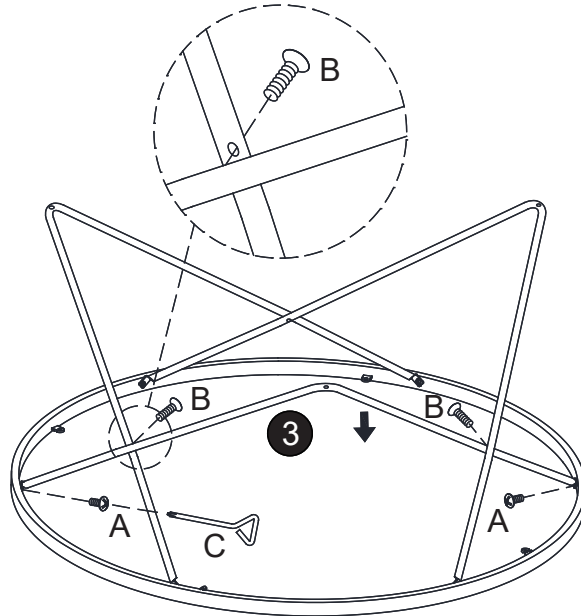


3


Ax2
M5x10mm

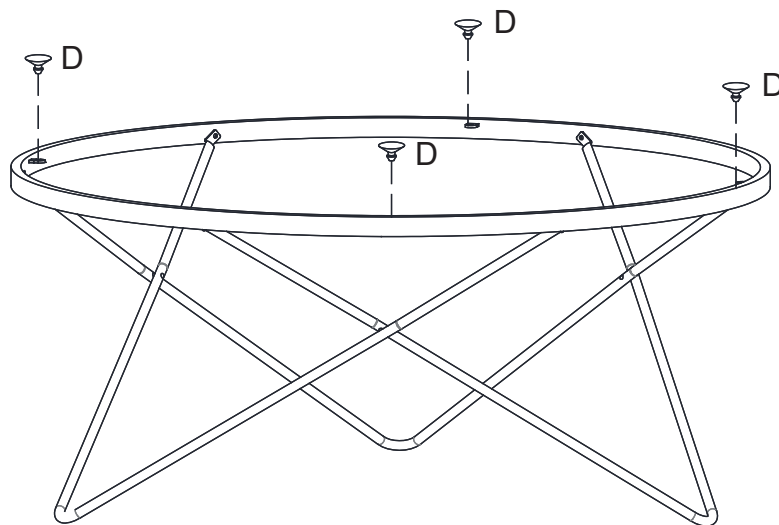

Bx2
M5x20mm


Cx1

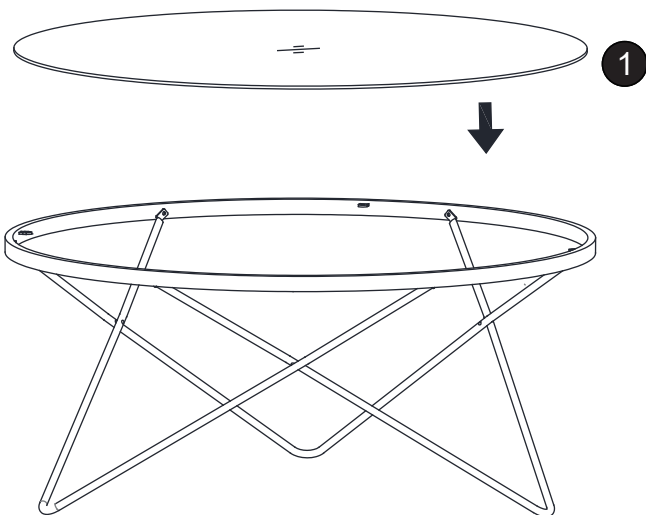
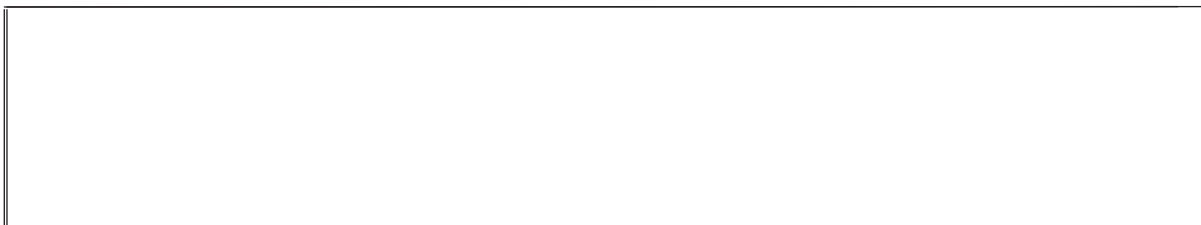


4


Dx4



5



6

