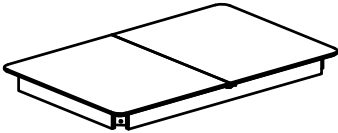
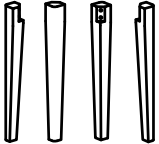




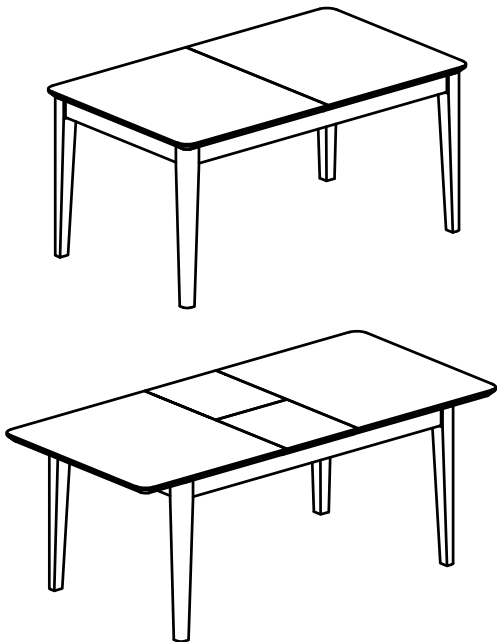
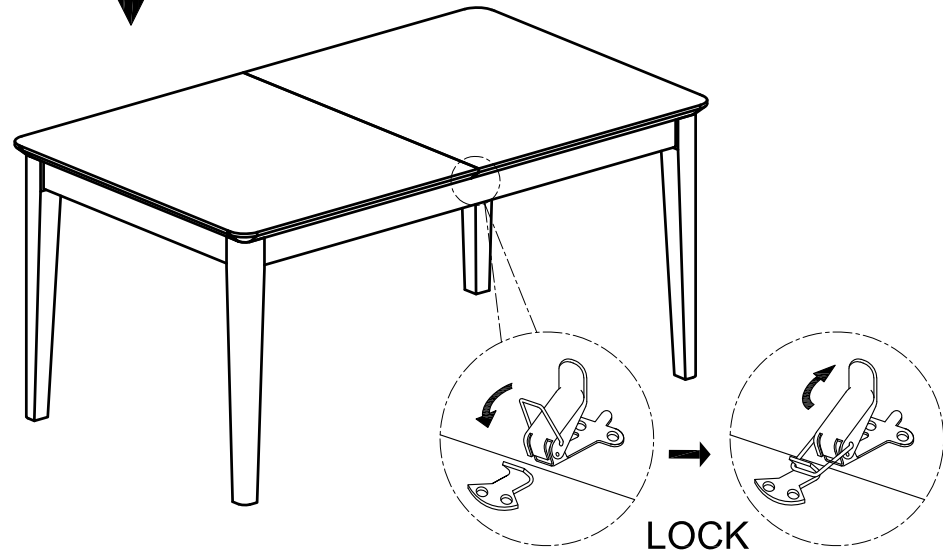
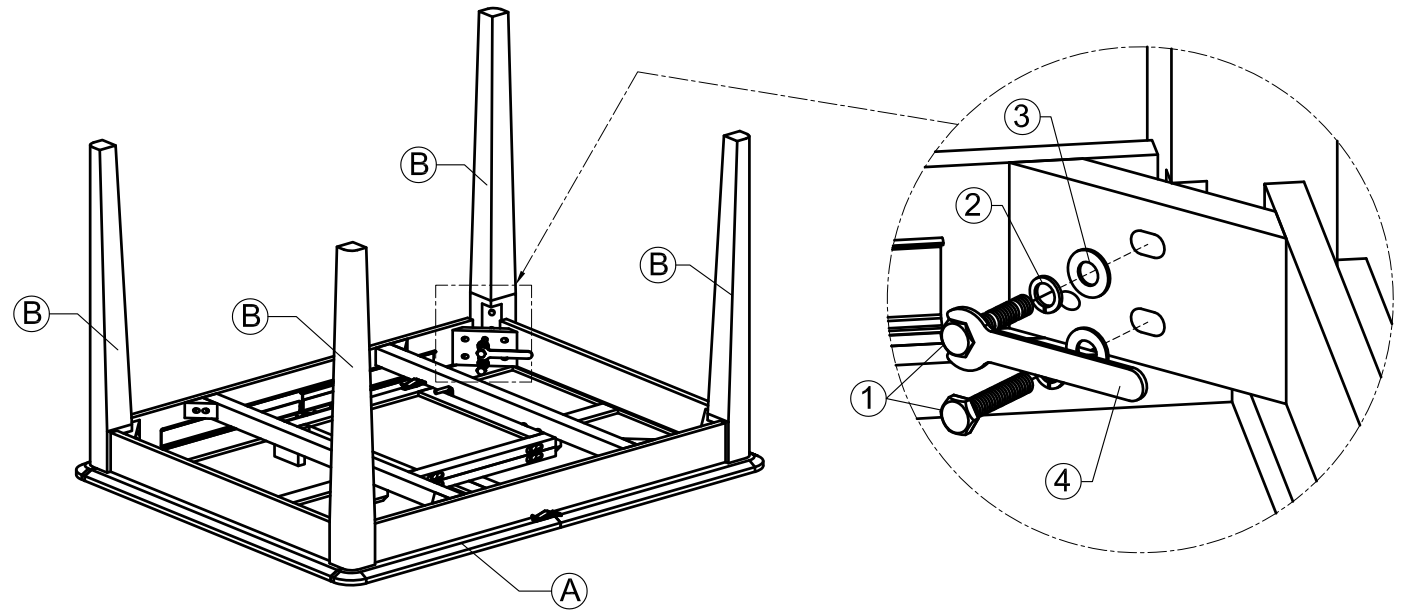


# ASSEMBLY INSTRUCTION RECT. EXT. DINING TABLE

No	Name of Component	Q.ty
Ⓐ		1
Ⓑ		4
No	Name of Hardware	Q.ty
①	Bolt M10 x 60 	8
②	Spring washers M10 	8
③	Flats Washers T1.5 	8
④	Spanner 	1

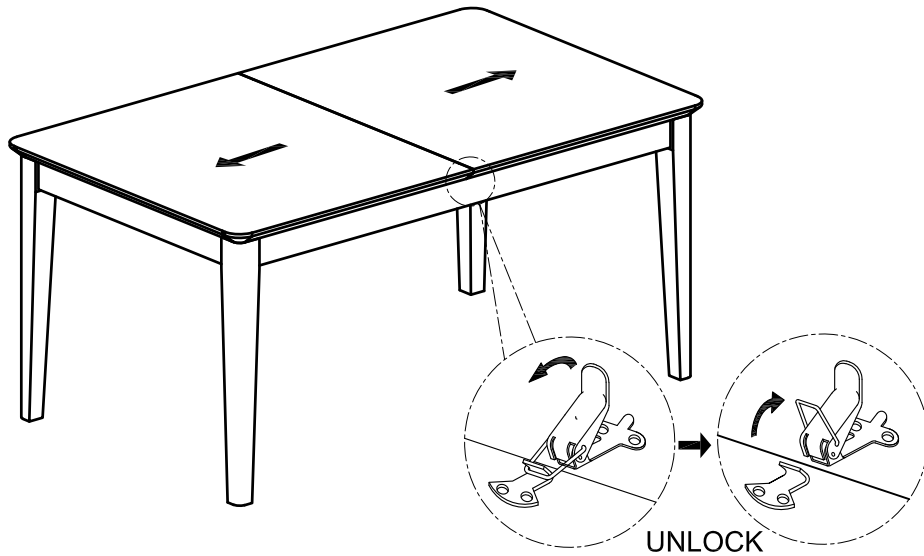
## STEP 1



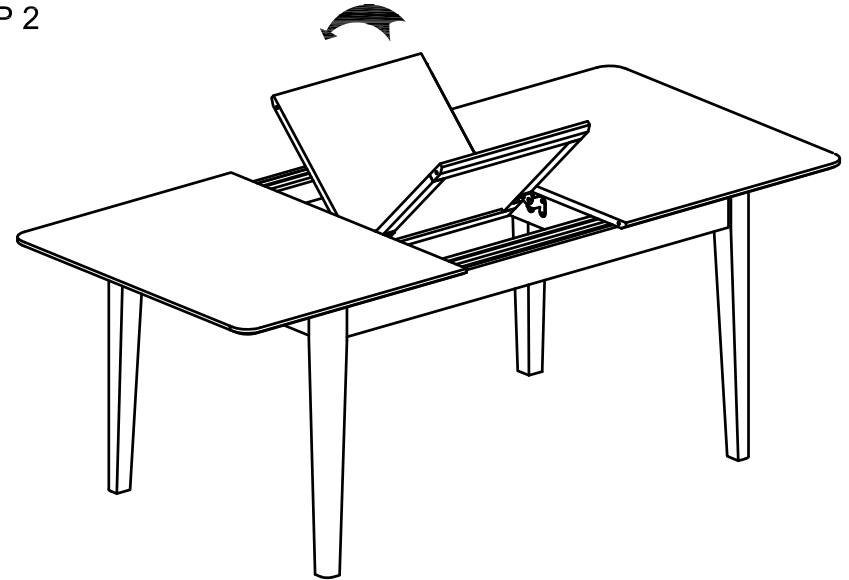
# ASSEMBLY INSTRUCTION RECT. EXT. DINING TABLE

EXTEND THE TABLE: When opening or closing the table :  
Please pull/push with both hands using equal strength, while standing at the head of the table

STEP 1



STEP 2



FINAL

