

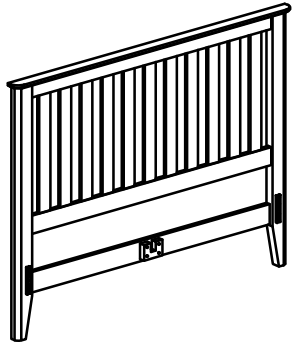


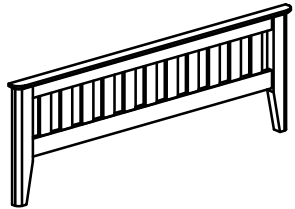
ASSEMBLY INSTRUCTION

SLATTED BED 4'6"

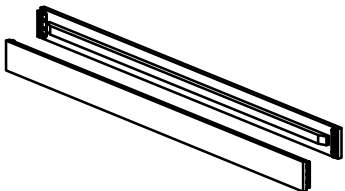
No	Name of Hardware	Q.ty
①	Bolt M6x10 	8
②	Allen Key (K5) 	1



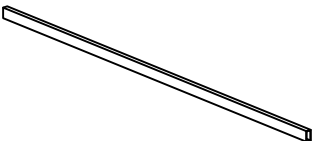
Ax1 - HEADBOARD



Bx1 - FOOTBOARD

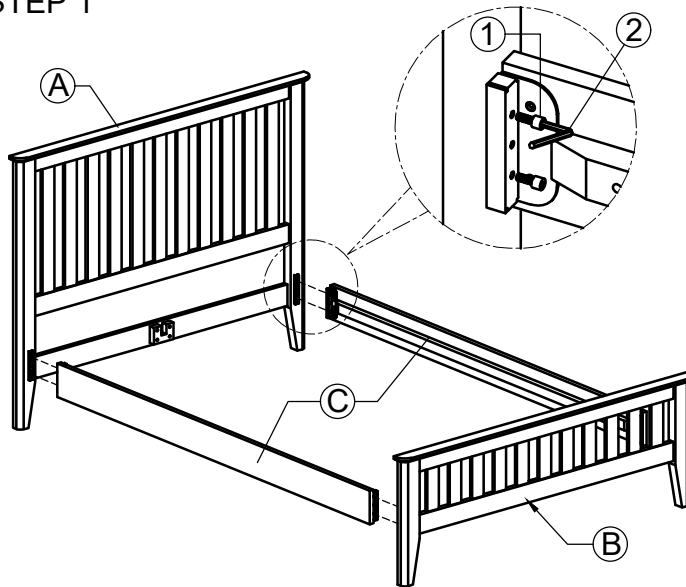


Cx2 - SIDE RAILS

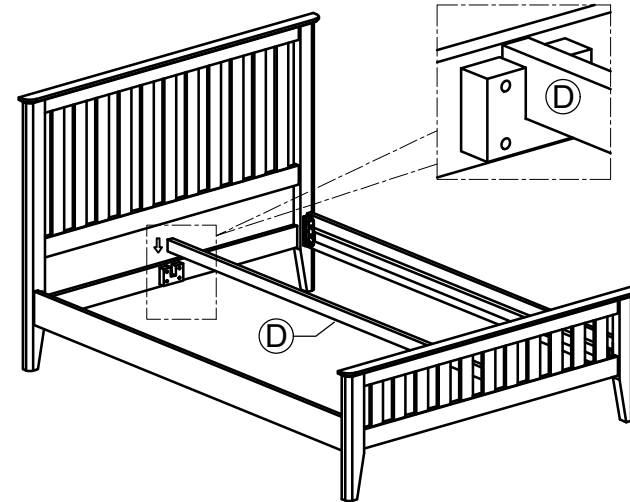


Dx1 - METAL CENTER RAIL

STEP 1

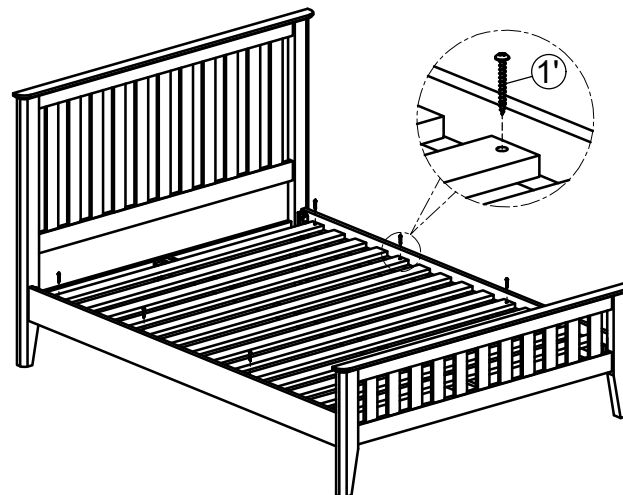


STEP 2



STEP 3

NOTE: SLAT BEDS ARE ON A DIFFERENT PACKAGE
HARDWARE ①' ARE INCLUDED IN SLAT BED



FINAL

