










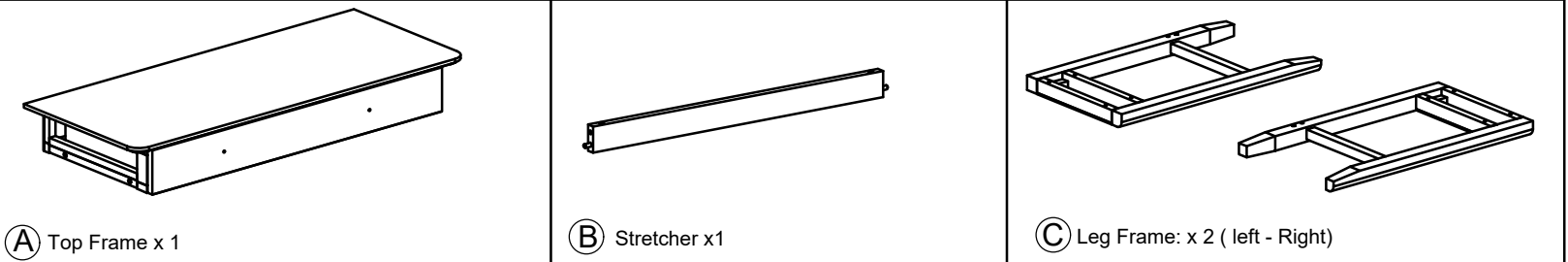
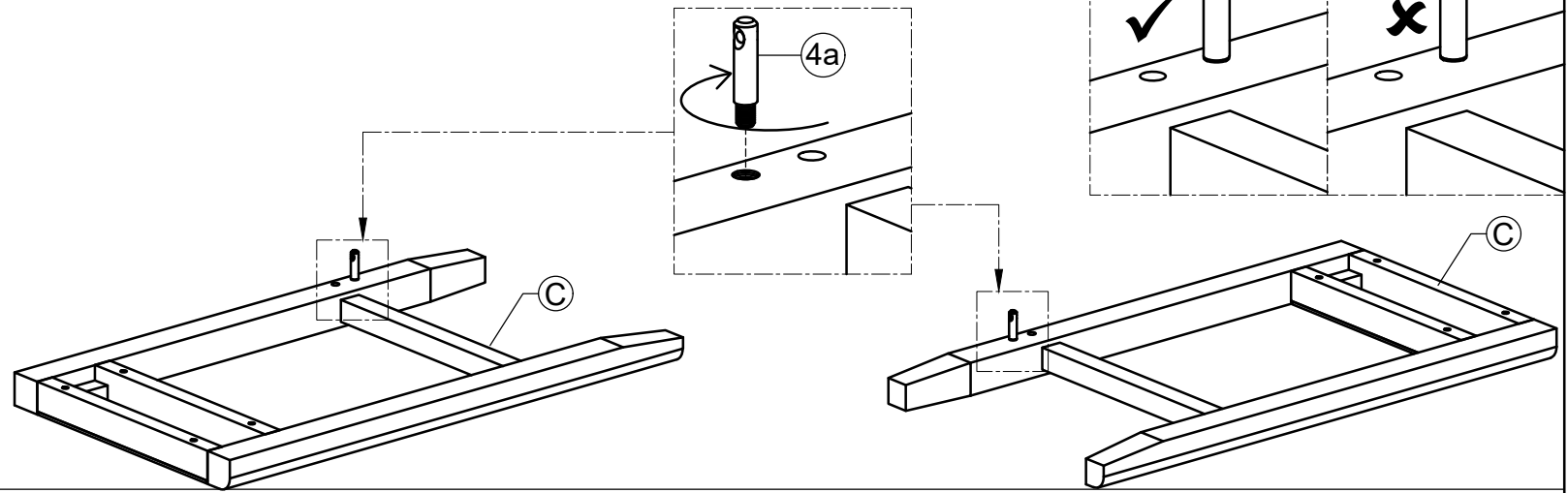



ASSEMBLY INSTRUCTION HOME OFFICE DESK

| No | Name of Hardware | Q.ty |
|----|--|--------|
| ① | Bolt M6 x 40  | 4 |
| ② | Bolt M6 x 60  | 4 |
| ③ | Washer Ø7/Ø15 x 1  | 8 |
| ④ | Connecting system  | 2 |
| ⑤ | Allen key K4  | 1 |
| ⑥ | Allen key K5  | 1 |
| ⑦ | Bracket  | 2 |
| ⑧ | Tie  | 1 |
| ⑨ | Screw M4 x 20  | 2 |
| ⑩ | Knob handle with bolt  | 2 Sets |
| ⑪ | Wooden handle with bolt  | 2 Sets |

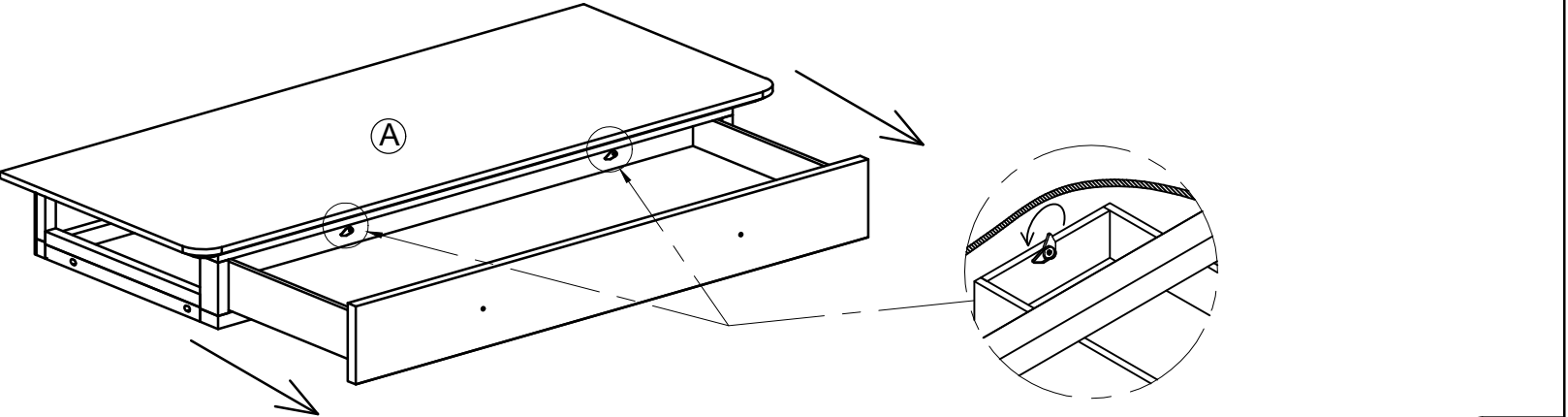


STEP 1



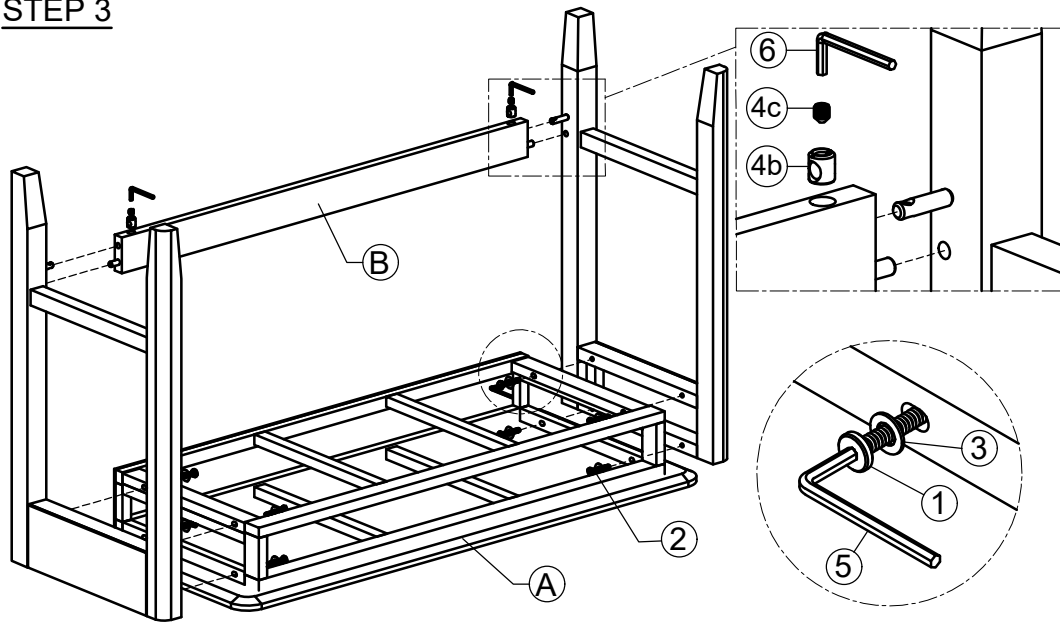
Screwdriver (not included) 

STEP 2 Take out the drawer

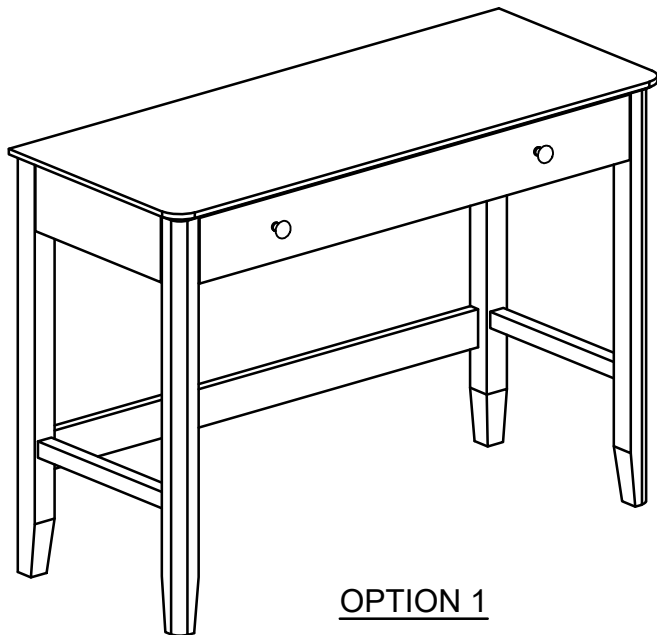
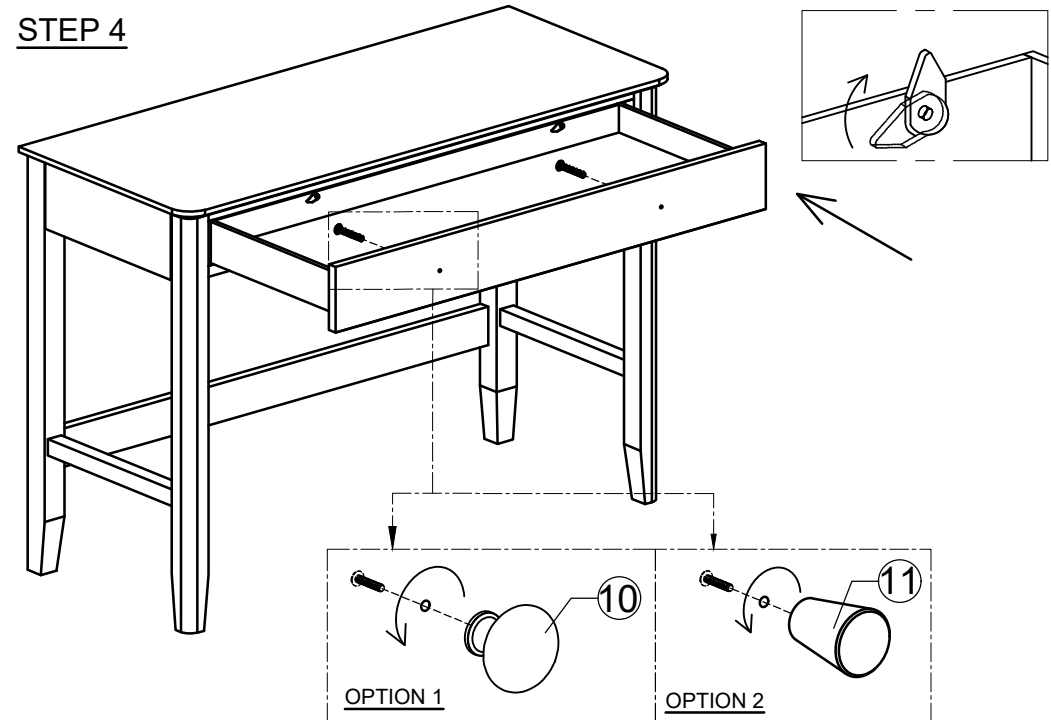


ASSEMBLY INSTRUCTION HOME OFFICE DESK

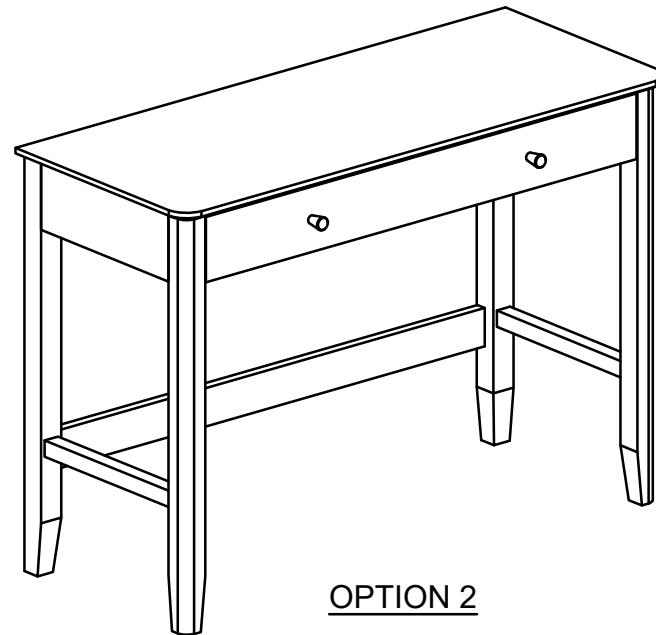
STEP 3



STEP 4



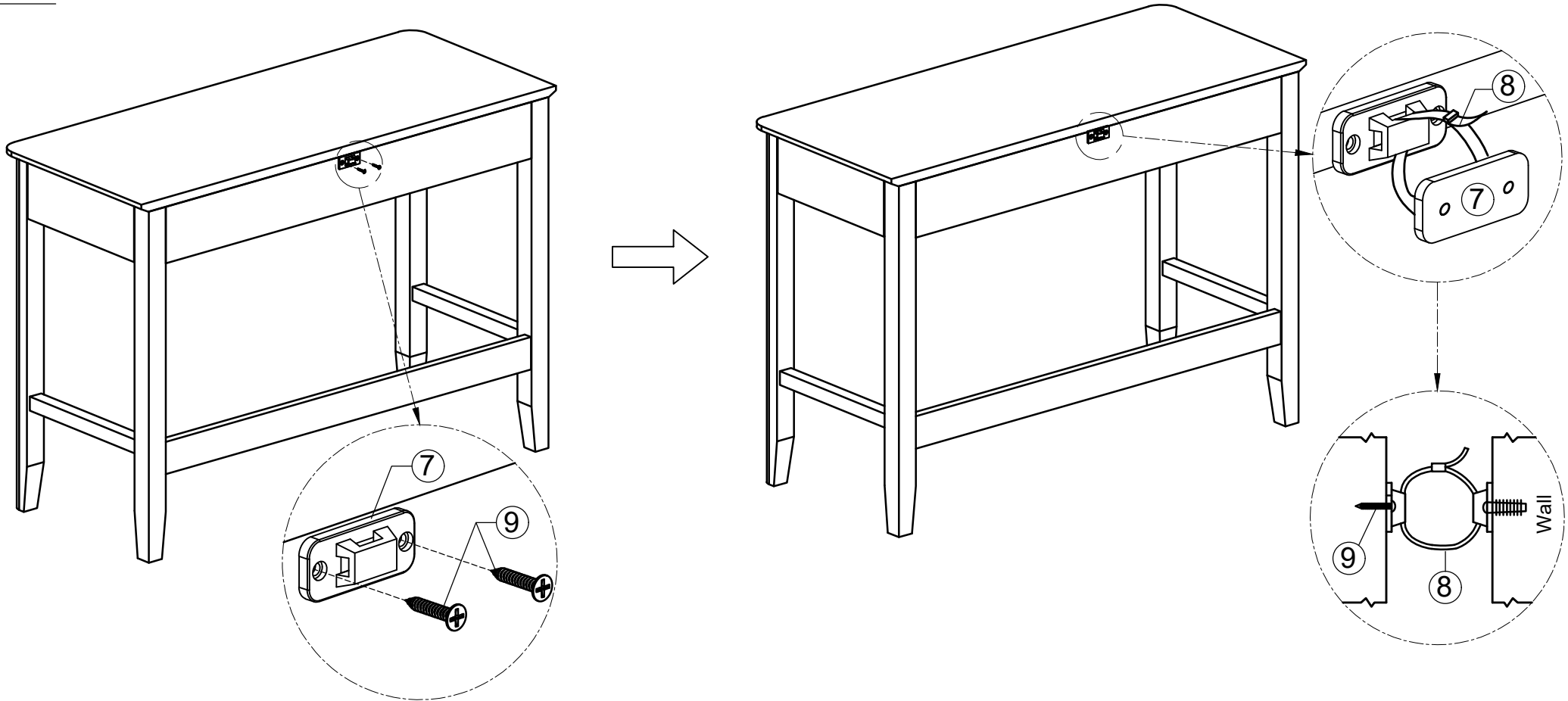
OPTION 1



OPTION 2

ASSEMBLY INSTRUCTION HOME OFFICE DESK

FINAL



Wall fixings

This wall fixing is provided for your safety and we recommend that once in position the unit is secured to the wall for extra stability

Wall fixings may vary depending on item of furniture purchased.

Wall fittings are not provided as different wall types require different plastic plugs and screws.

Please ensure that you use fittings that are suitable for your wall type

Before drilling any holes in walls please check for hidden water and gas pipes or electrical wiring. If in doubt please seek professional help.