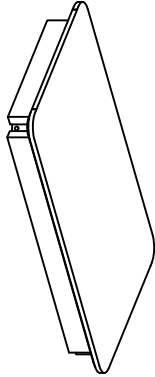
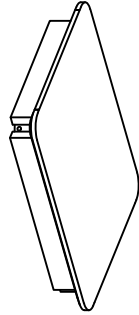
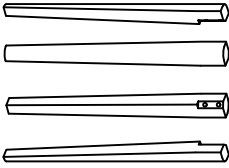
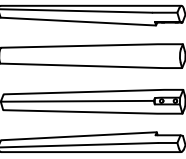
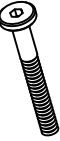



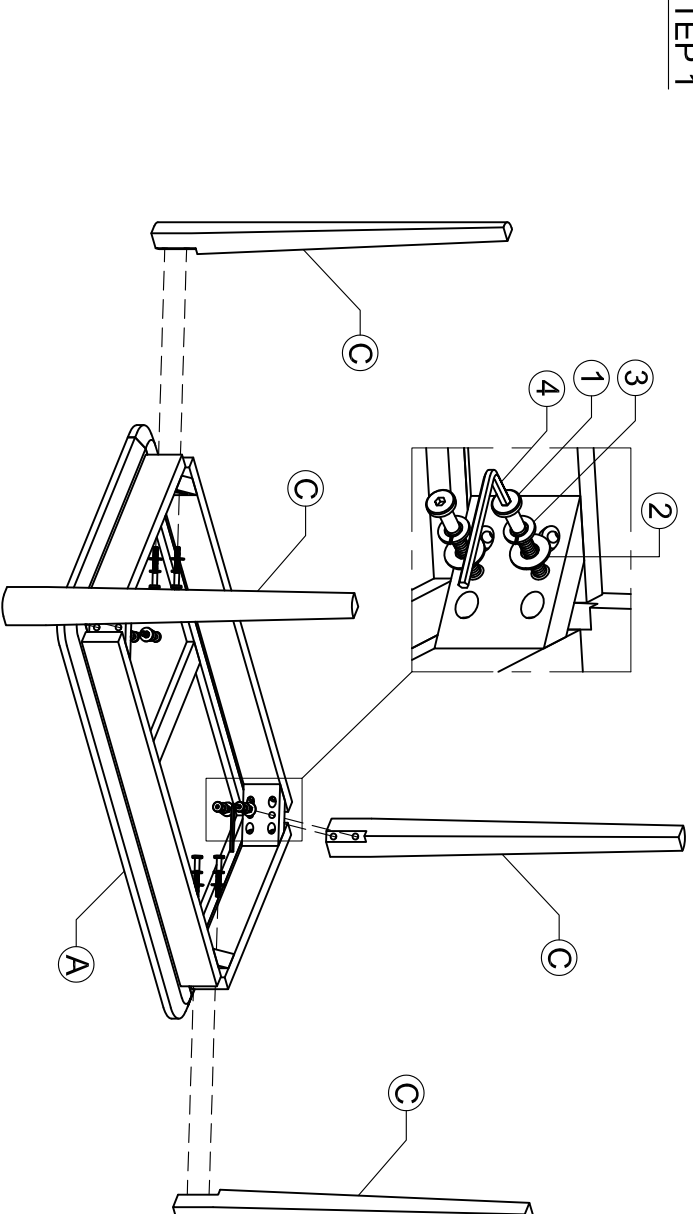


ASSEMBLY INSTRUCTION NEST OF TABLE

No	Name of Component	Q.ty
A		1
B		1
C		4
D		4
No	Name of Hardware	Q.ty
1	Bolt M6 x 50 	16
2	Washer Ø7/Ø15 x 1 	16
3	Spring Washer M6 	16
4	Allen key K4 	1

STEP 1



STEP 2

FINAL

