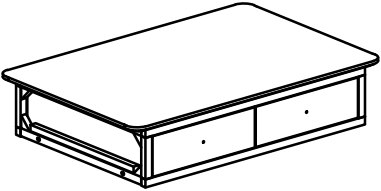
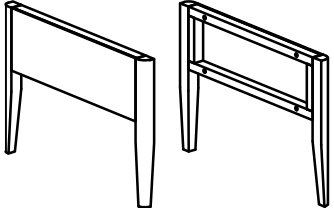
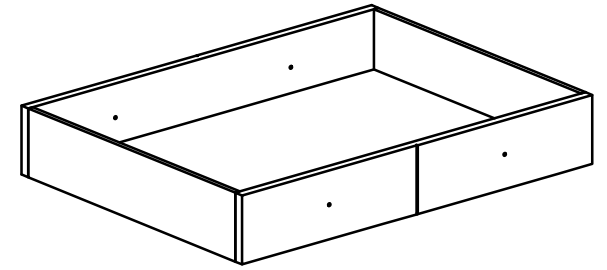
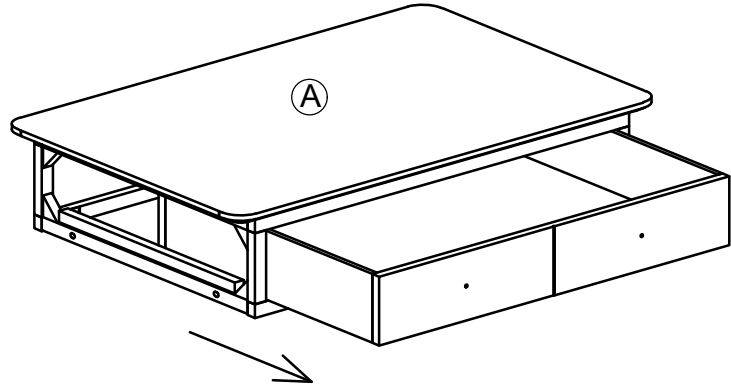









# ASSEMBLY INSTRUCTION COFFEE TABLE

No	Name of Component	Q.ty
(A)	 Top Frame:	1
(B)	 Legs Frame	2

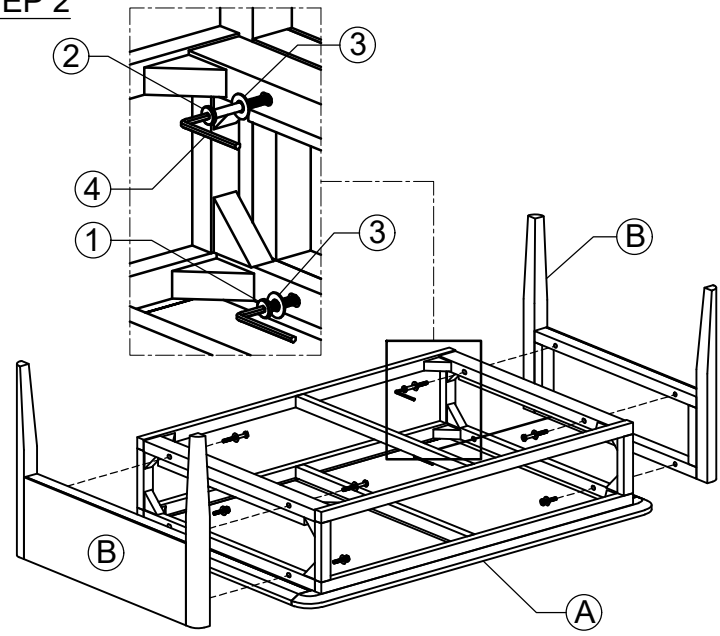
## STEP 1

Take out the drawer

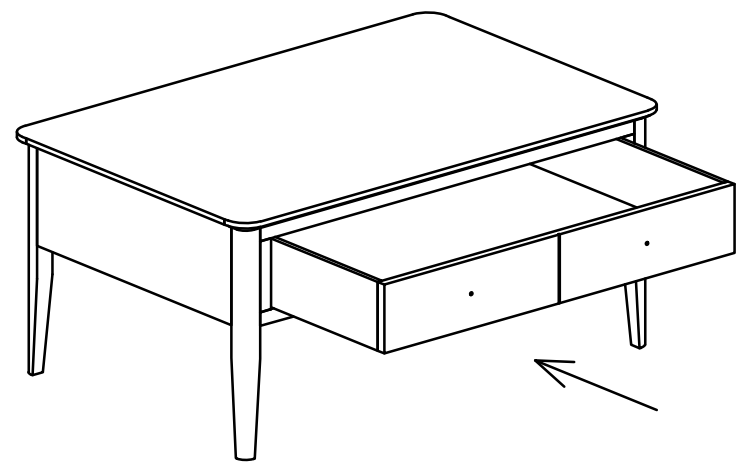


No	Name of Hardware	Q.ty
(1)	Bolt M6 x 40 	4
(2)	Bolt M6 x 60 	4
(3)	Washer Ø7/Ø15 x 1 	8
(4)	Allen key K4 	1
(5)	Knob handle with bolt 	4 Sets
(6)	Wooden handle with bolt 	4 Sets
Screwdriver (not included) 		

## STEP 2

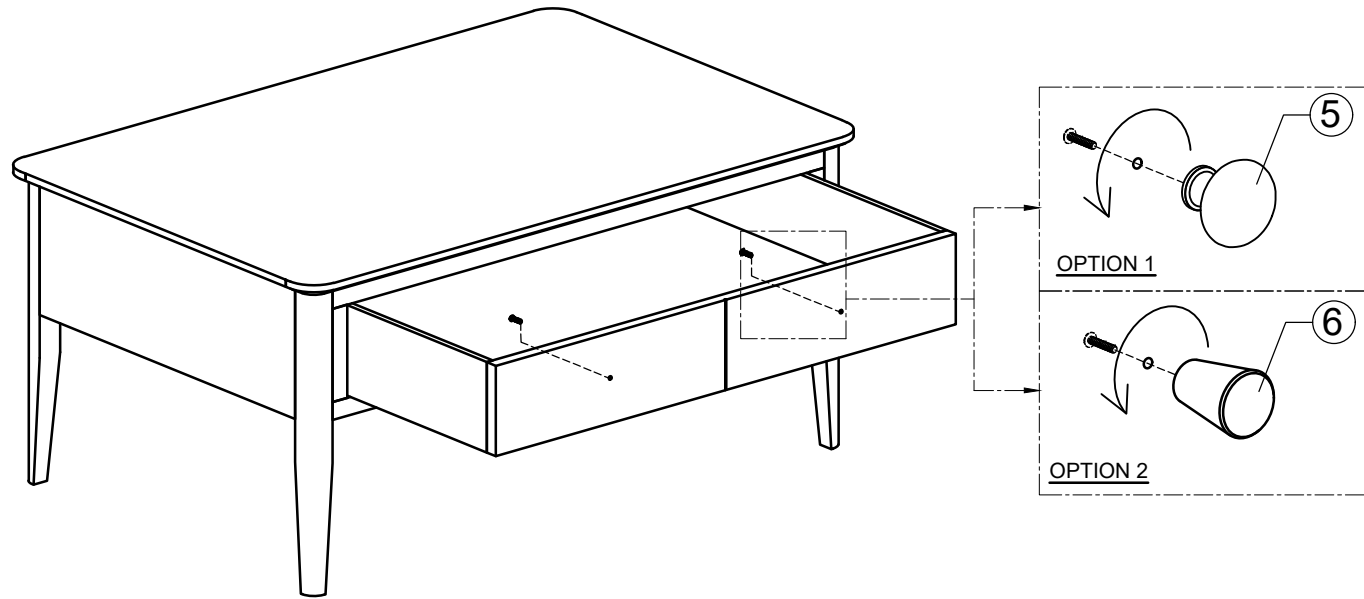


## STEP 3

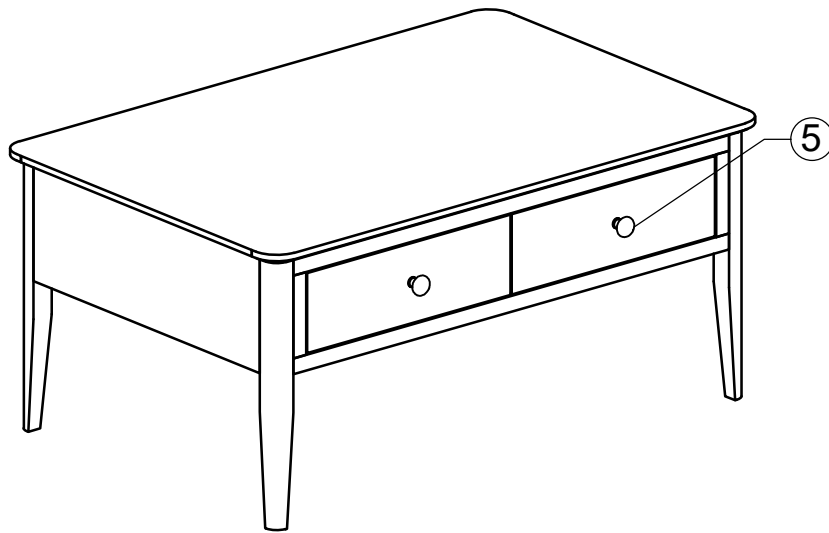


# ASSEMBLY INSTRUCTION COFFEE TABLE

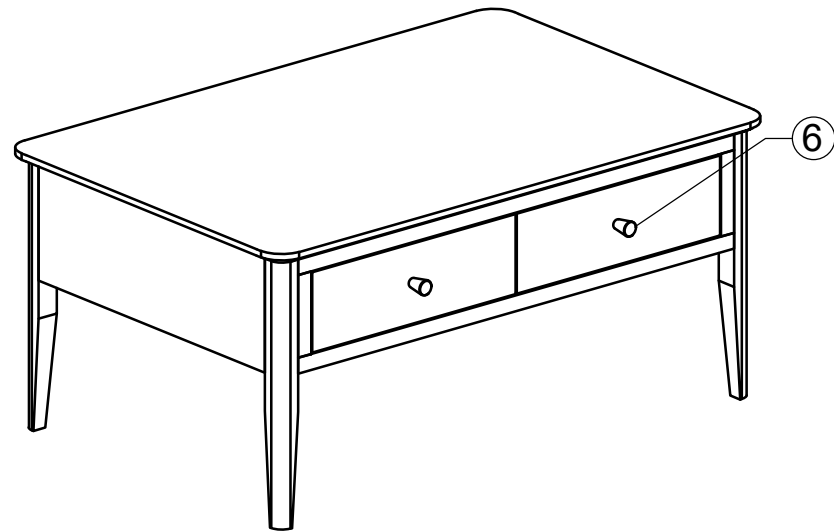
## STEP 4



## FINAL



OPTION 1



OPTION 2