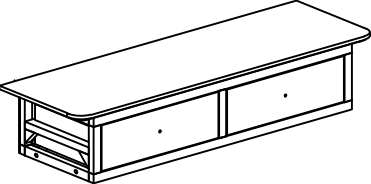

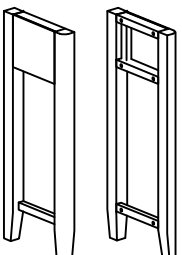
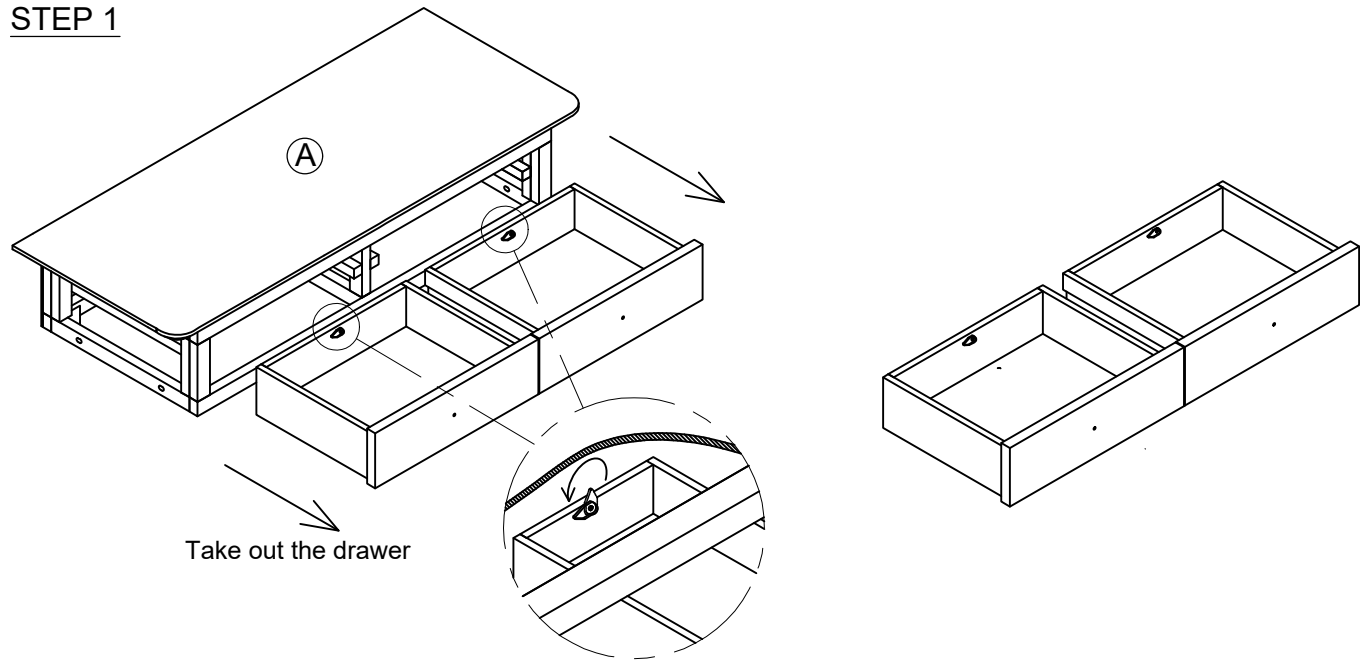






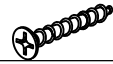




ASSEMBLY INSTRUCTION CONSOLE TABLE

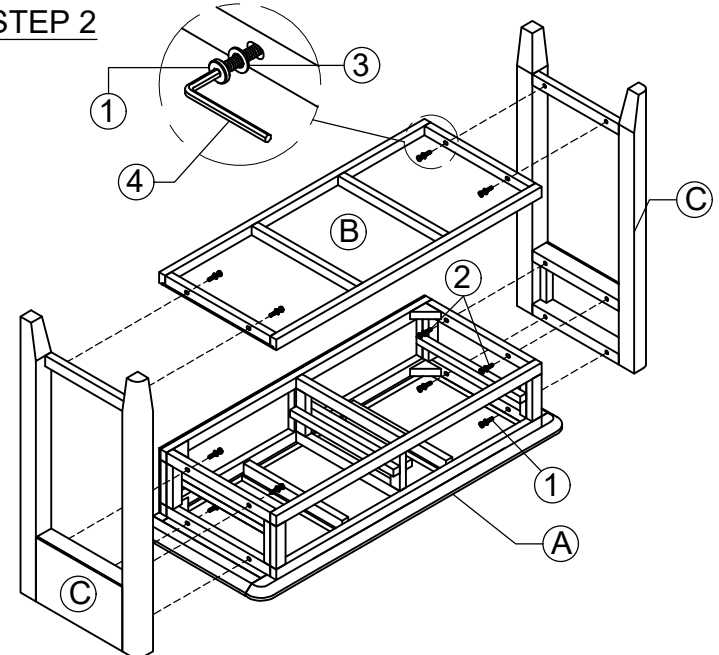
No	Name of Component	Q.ty
(A)	 Top Frame:	1
(B)	 Shelf Frame	1
(C)	 Legs Frame: (left -right)	2

STEP 1

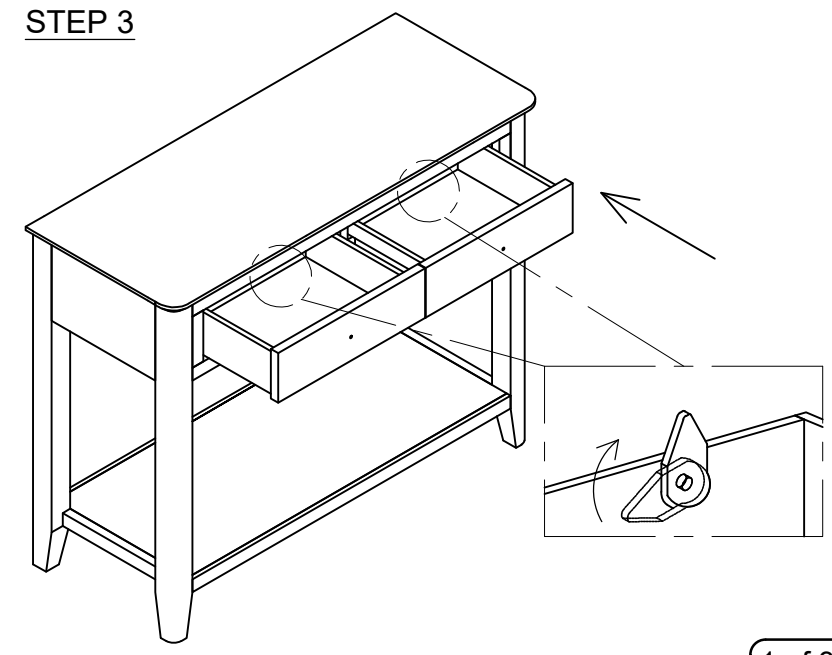



No	Name of Hardware	Q.ty
(1)	Bolt M6 x 40 	8
(2)	Bolt M6 x 60 	4
(3)	Washer Ø7/Ø15 x 1 	12
(4)	Allen key K4 	1
(5)	Bracket 	2
(6)	Tie 	1
(7)	Screw Ø4 x 20 	2
(8)	Knob handle with bolt 	2 Sets
(9)	Wooden handle with bolt 	2 Sets

STEP 2



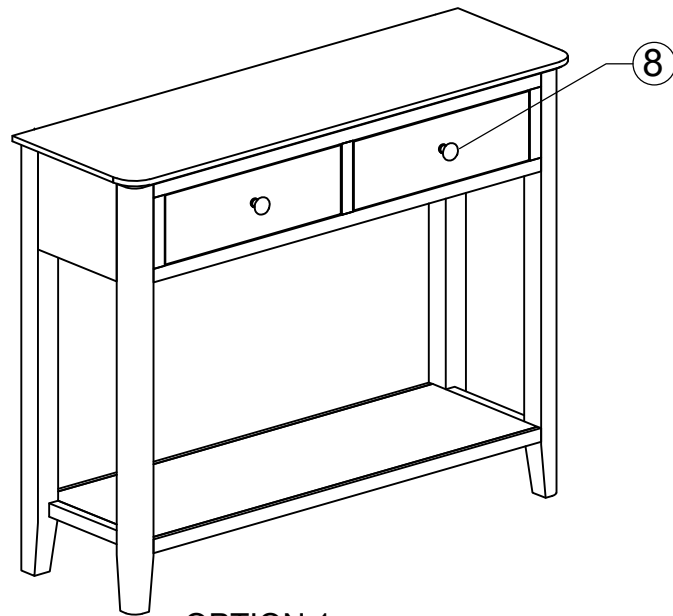
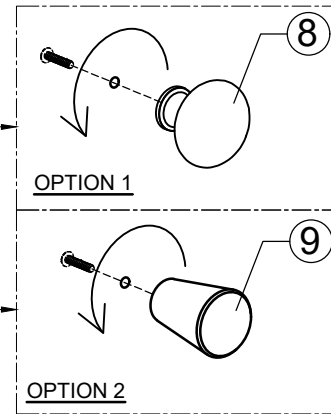
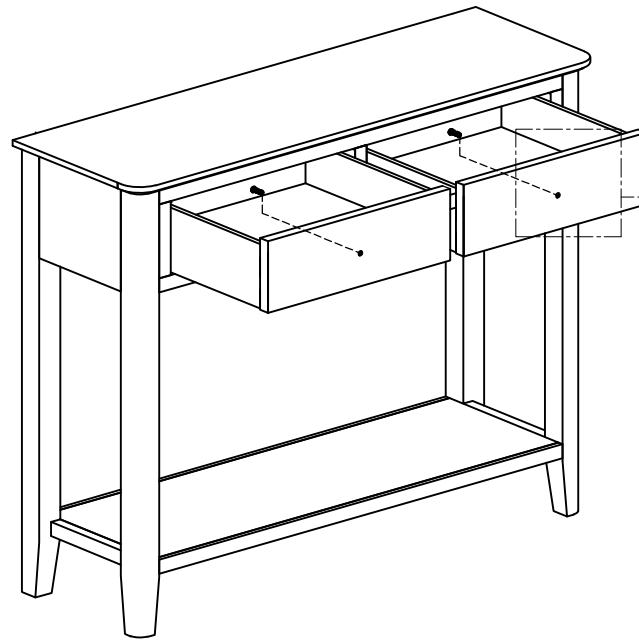
STEP 3



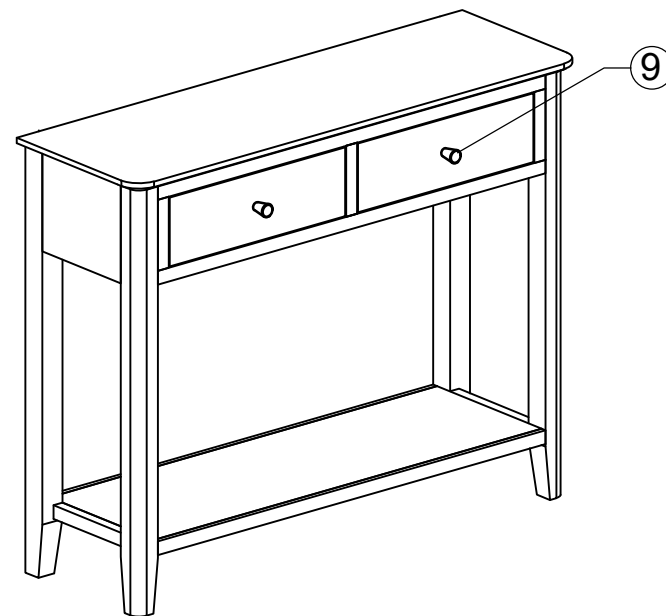
Screwdriver (not included) 

ASSEMBLY INSTRUCTION CONSOLE TABLE

STEP 4



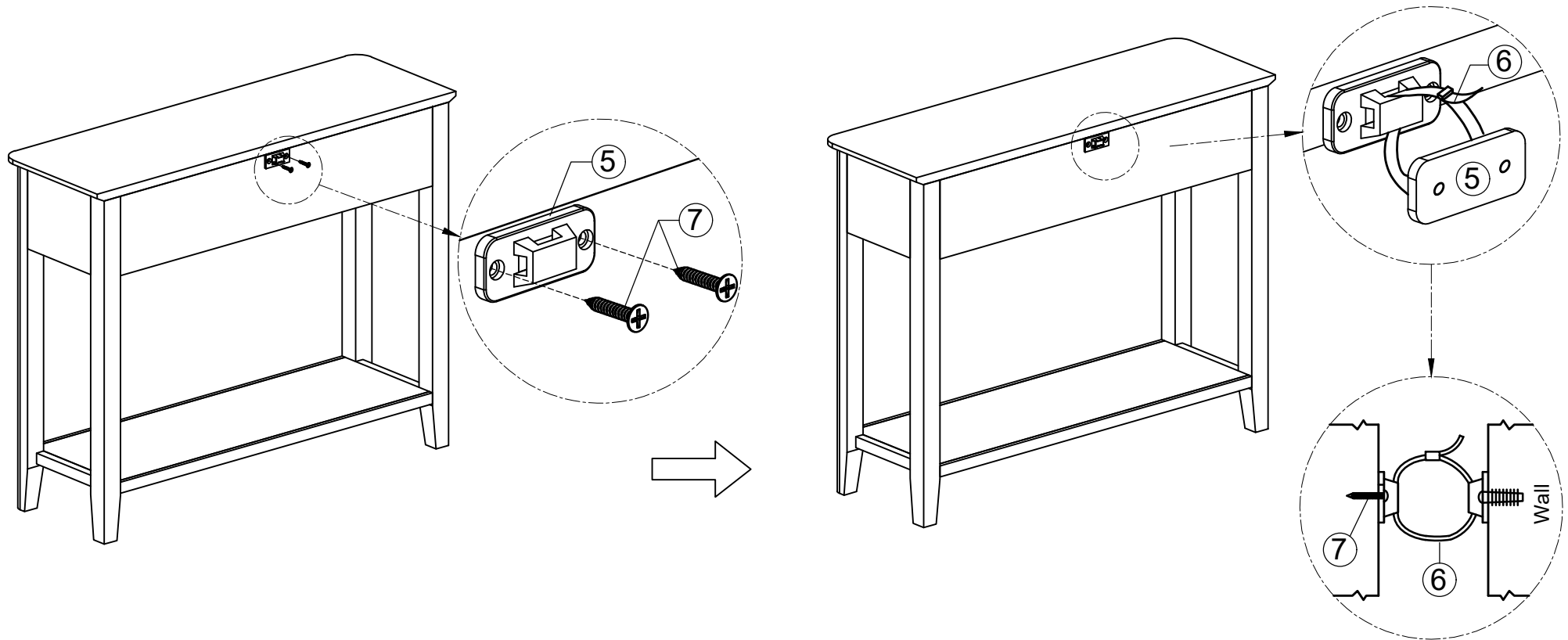
OPTION 1



OPTION 2

ASSEMBLY INSTRUCTION CONSOLE TABLE

FINAL



Wall fixings

This wall fixing is provided for your safety and we recommend that once in position the unit is secured to the wall for extra stability

Wall fixings may vary depending on item of furniture purchased.

Wall fittings are not provided as different wall types require different plastic plugs and screws.

Please ensure that you use fittings that are suitable for your wall type

Before drilling any holes in walls please check for hidden water and gas pipes or electrical wiring. If in doubt please seek professional help.