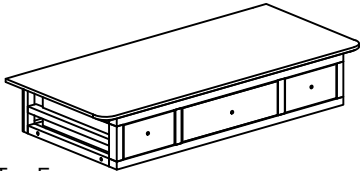
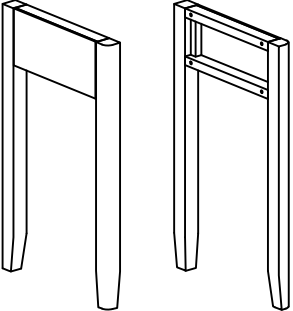









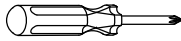
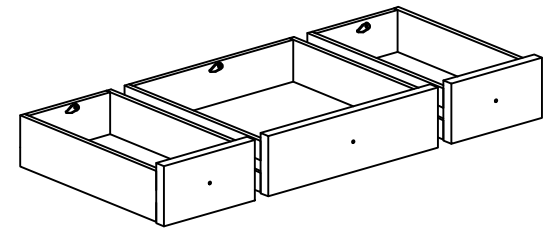
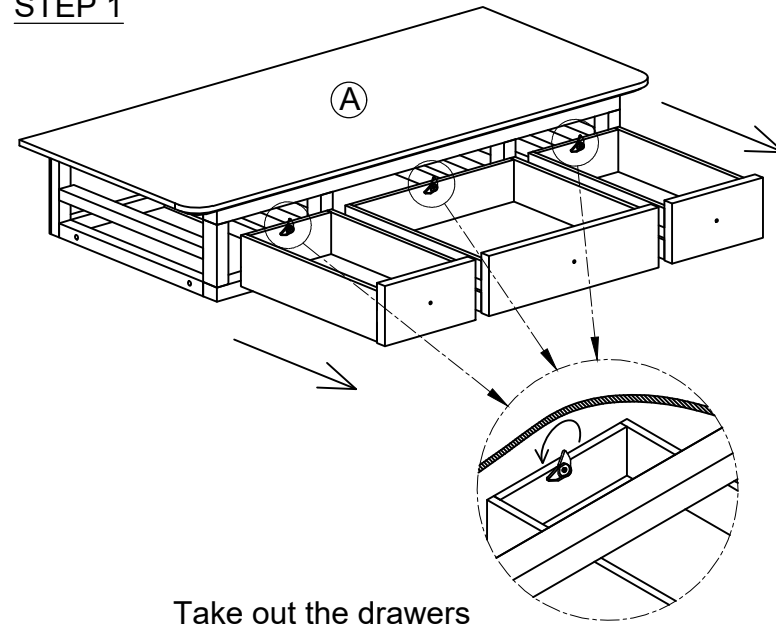


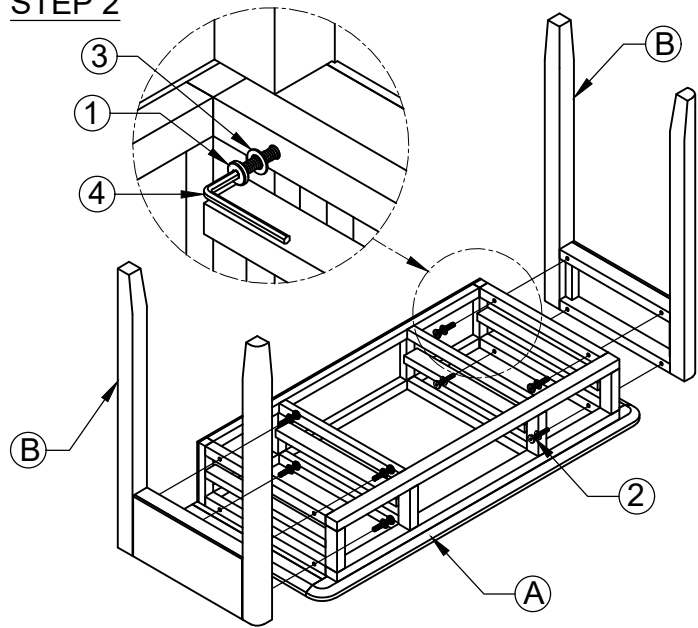
ASSEMBLY INSTRUCTION DRESSING TABLE SET - TABLE

No	Name of Component	Q.ty
(A)	 Top Frame:	1
(B)	 Legs Frame: (left -right)	2
No	Name of Hardware	Q.ty
(1)	Bolt M6 x 50 	4
(2)	Bolt M6 x 40 	4
(3)	Washer Ø7/Ø15 x 1 	8
(4)	Allen key K4 	1
(5)	Bracket 	2
(6)	Tie 	1
(7)	Screw Ø4 x 20 	2
(8)	Knob handle with bolt 	3 Sets
(9)	Wooden handle with bolt 	3 Sets
Screwdriver (not included) 		

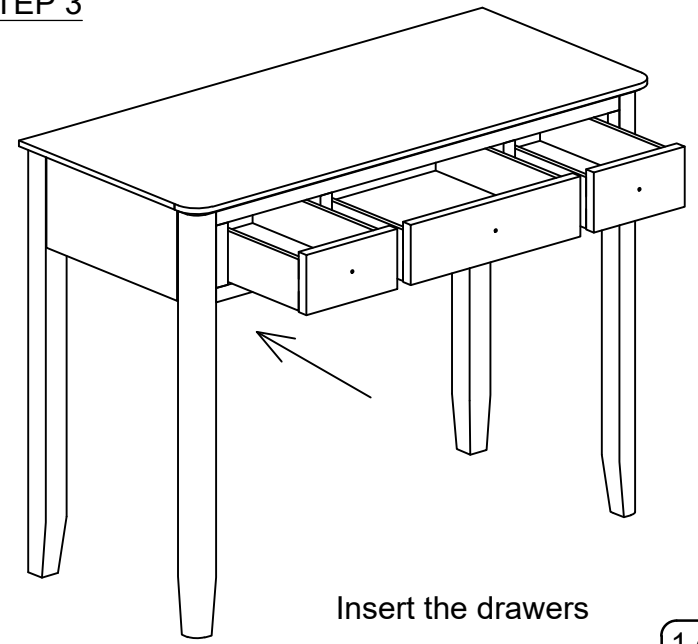
STEP 1



STEP 2

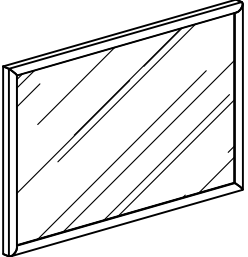
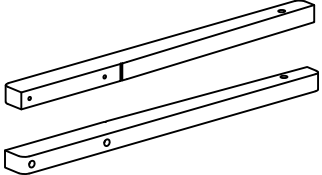
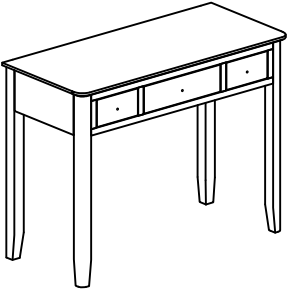

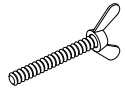

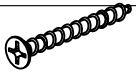


STEP 3

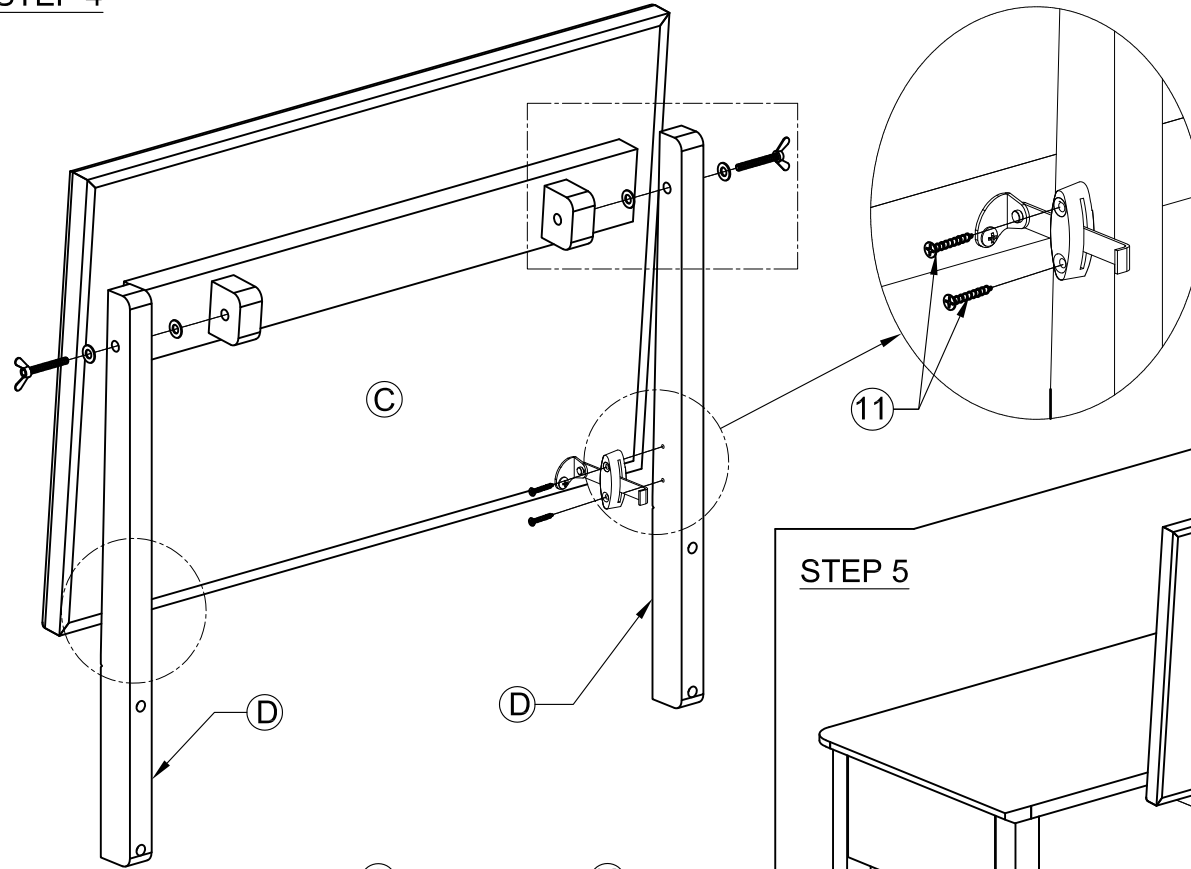


ASSEMBLY INSTRUCTION

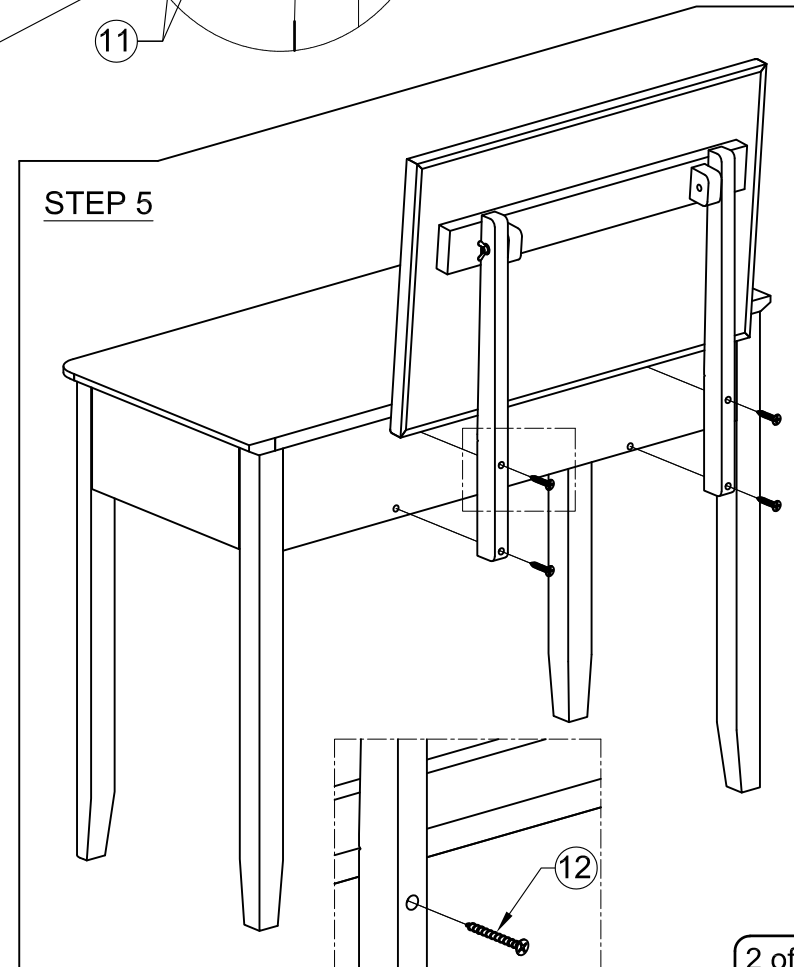
DRESSING TABLE SET - MIRROR

No	Name of Component	Q.ty
Ⓒ	 Mirror Frame	1
Ⓓ	 Back support	2
		1
No	Name of Hardware	Q.ty
Ⓓ	 Washer $\varnothing 7/\varnothing 15 \times 1$	4
Ⓙ	 Bolt M6 x 50	2
Ⓚ	 Screw $\varnothing 4 \times 25$	4
Ⓛ	 Screw $\varnothing 4 \times 45$	4

STEP 4

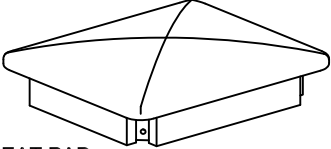
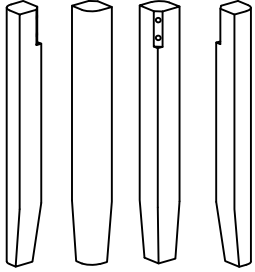






STEP 5

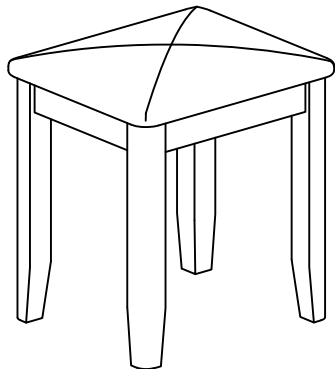
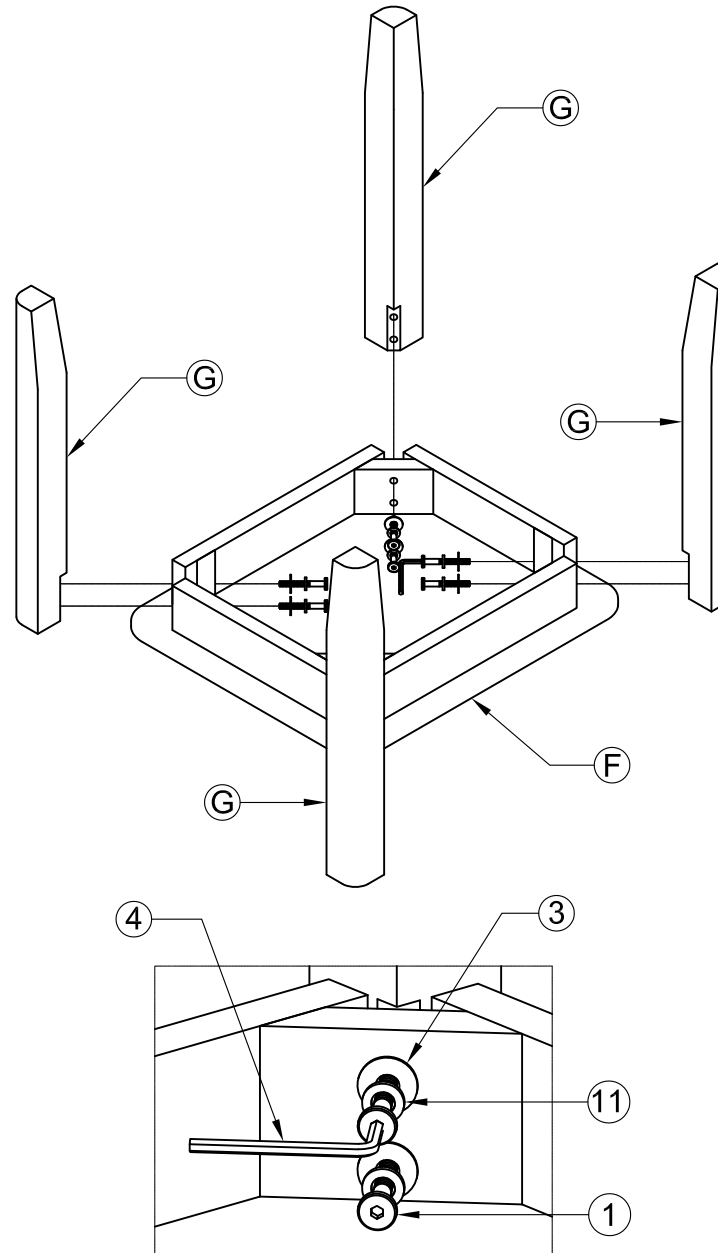


ASSEMBLY INSTRUCTION

DRESSING TABLE SET - STOOL

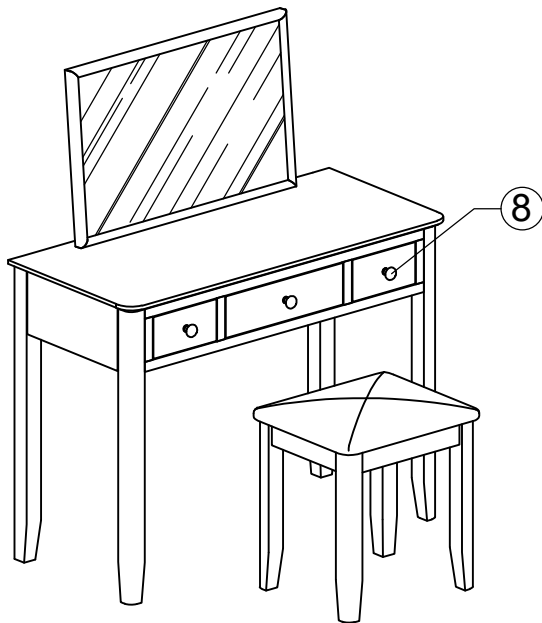
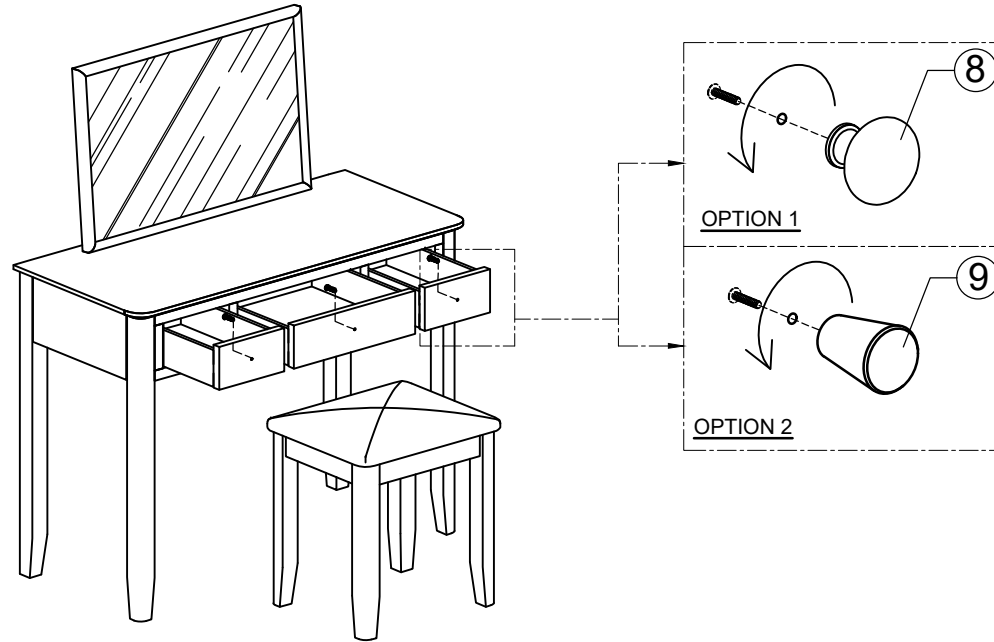
No	Name of Component	Q.ty
(F)	 SEAT PAD	1
(G)	 LEGS	4
No	Name of Hardware	Q.ty
(1)	Bolt M6 x 50 	8
(3)	Washer Ø7/Ø15 x 1 	8
(4)	Allen key K4 	1
(13)	Spring washer M6 	8

STEP 6

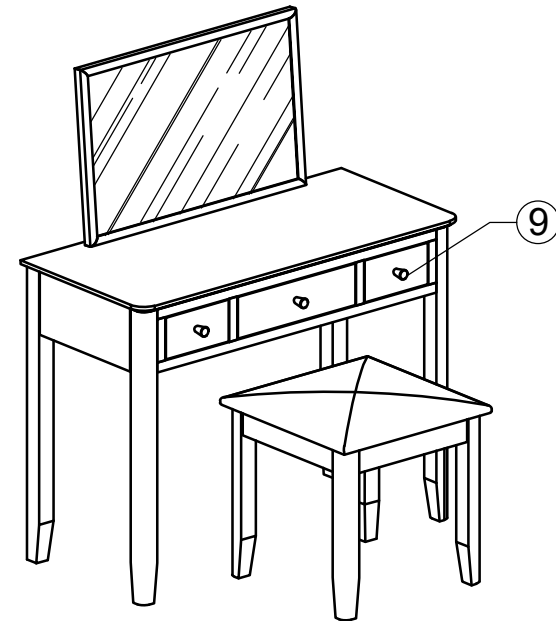


ASSEMBLY INSTRUCTION

DRESSING TABLE SET



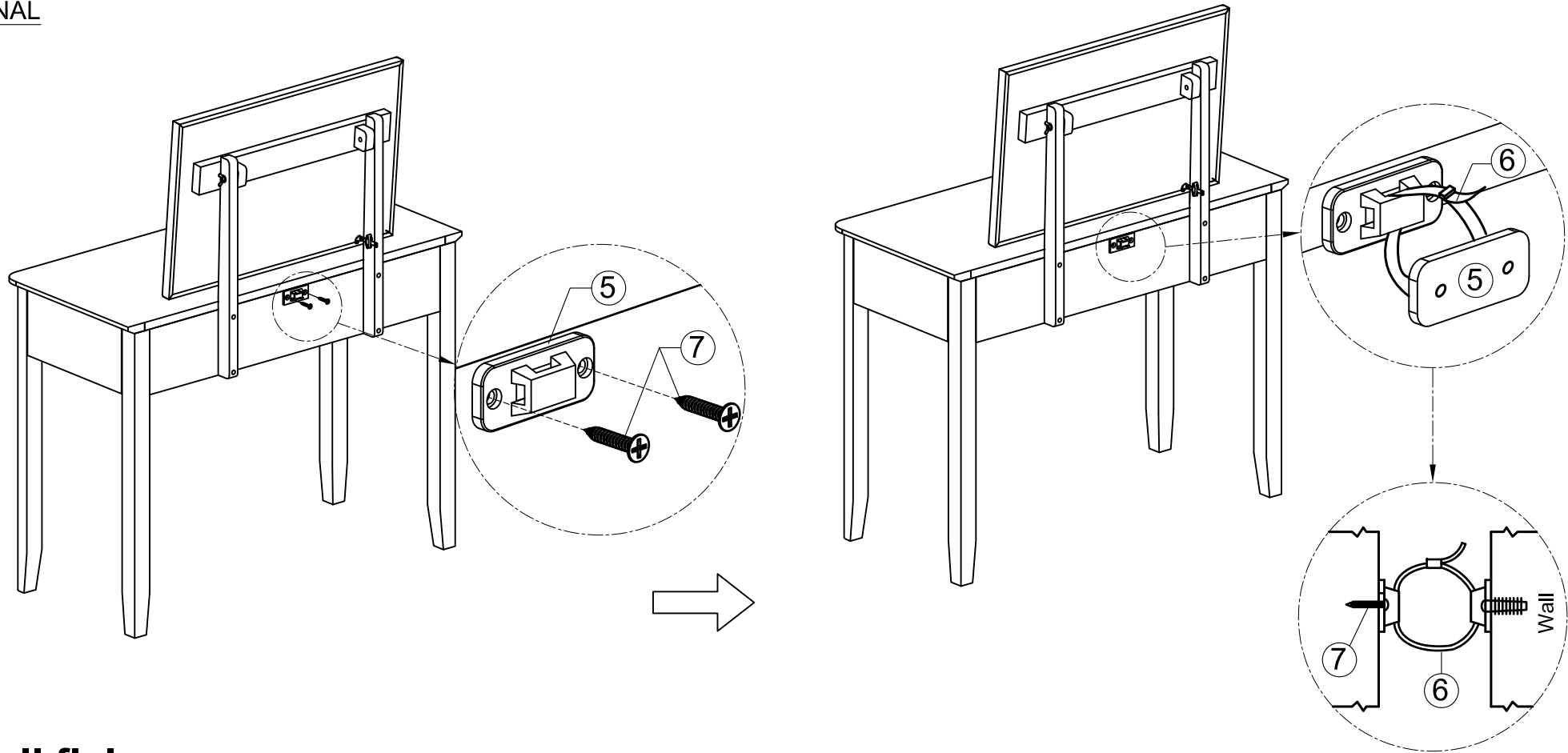
OPTION 1



OPTION 2

ASSEMBLY INSTRUCTION DRESSING TABLE SET

FINAL



Wall fixings

This wall fixing is provided for your safety and we recommend that once in position the unit is secured to the wall for extra stability

Wall fixings may vary depending on item of furniture purchased.

Wall fittings are not provided as different wall types require different plastic plugs and screws.

Please ensure that you use fittings that are suitable for your wall type

Before drilling any holes in walls please check for hidden water and gas pipes or electrical wiring. If in doubt please seek professional help.