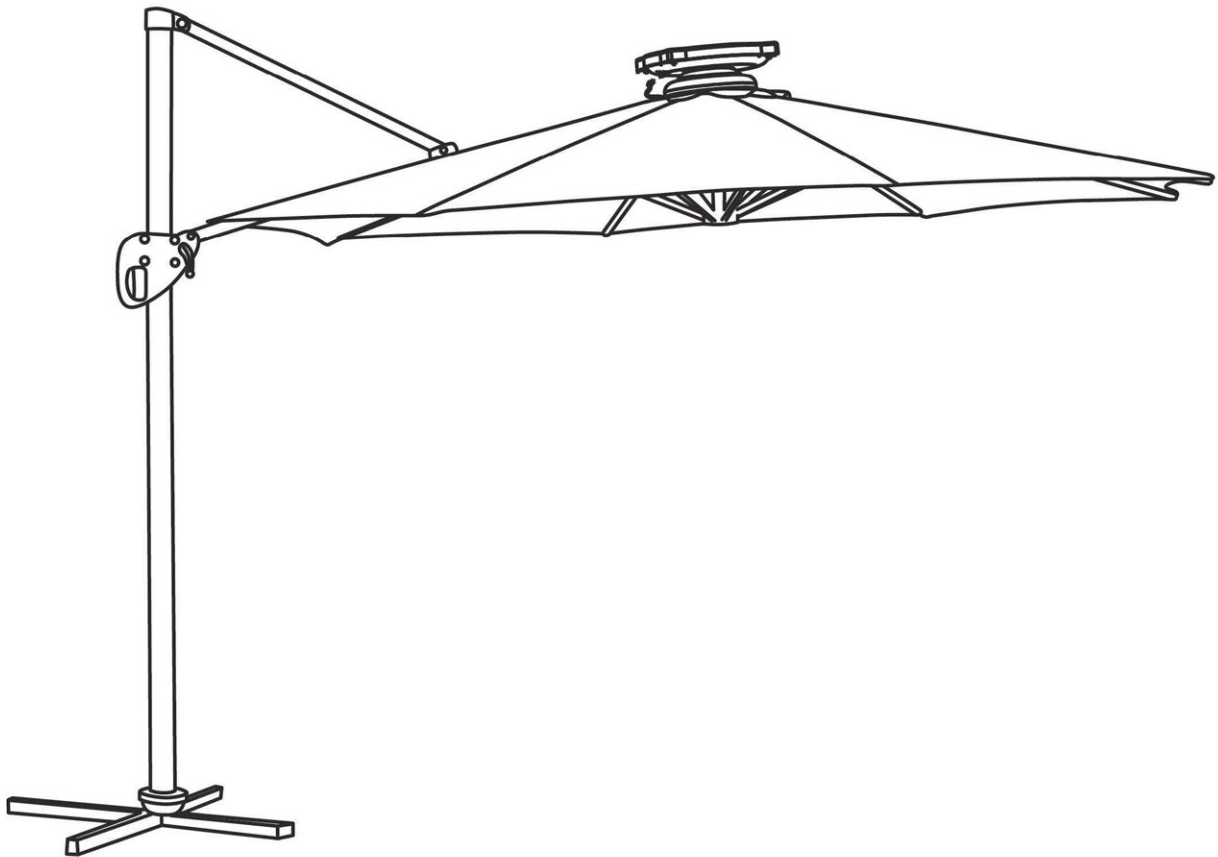


Product size:
Dia350*H260 cm



The intended use of this product is for domestic use only.

Important, please retain for future reference.

Read carefully.

3.5m LED Cantilever Parasol

Assembly Instructions

Before you start



Warnings

IMPORTANT, RETAIN FOR FUTURE REFERENCE READ CAREFULLY

See enclosed instructions for assembly, safety and care information.

Failure to follow the warnings could result in serious injury.

Handle heavy parts with care.

Ensure that this product is fully assembled as illustrated before use.

This product is intended for **domestic** use only.

This product should only be used on firm, level ground.

The product contains small parts which could pose a risk to young children. Keep small parts out of reach of children.

Keep hands away from folding mechanism and moving parts to prevent possible injury.

Never use or open this parasol without a suitable base set in place.

Furniture can be dangerous if incorrectly used. No liability will be accepted for damage or injury caused by incorrect use of this product.



Dos

When you are ready to start, make sure that you have the right tools, plenty of space and a clean, dry area for assembly.

Unwrap all packaging materials and place the components on suitable surface to prevent scratching your product.

Check all contents are present prior to assembly as per the parts list provided. In the event of problems or missing parts, please contact the seller.

Check all screws and bolts are tightened and inspect regularly.

Use a furniture cover to protect your product when not in use.

Ensure your item is closed when not in use.

During severe weather conditions, including high winds, rain, hail, thunderstorms, extreme heat and cold temperatures, the product should be taken down and stored inside in a cool, dry place.

Ensure that the product is clean and dry before storage.

Wipe with a damp sponge and a little warm soapy water, then dry with a clean, dry cloth. The product must be thoroughly dry to prevent mildew and mold stains from forming.

Where instructions as to the; storage, commissioning, installation, use and maintenance of the goods or (if there is none) good trade practice are not followed and a defect arises this will void the 12 month manufacturer's guarantee on the product.

✗ Don'ts

Do not stand or climb onto the product.

Do not use power tools to construct this product.

Do not sit or lean onto the rims of this product.

Do not use this product if parts are missing, damaged or worn.

Do not leave the parasol open when not in use or unattended.

Do not leave the parasol open when there is a risk of high winds, as damage will occur to its structure.

Do not use scourers, abrasives, washing powders, chemical cleaners or any other substances containing abrasives since these substances can damage the product.

Do not use solvent-based cleaners or detergents as they can bleach or damage the product.

Never use a pressure hose or washer to clean the product.

Never drag furniture when moving it, always lift it.

Never move this parasol when fully assembled.

To avoid damage do not allow water to collect or "pool" on the fabric.

Number of people required for assembly

Two people



Time to assemble



30 Minutes

Tools required



It is recommended that before moving heavy objects to a new location they should be completely disassembled to avoid personal injury or damage to the furniture. Please be careful to retain all fittings when doing this.

A competent person should carry out assembly. No liability will be accepted for damage or injury caused by incorrectly installed or assembled furniture.

3.5m LED Cantilever Parasol

Assembly Instructions

Care & Maintenance

CANOPY CARE INSTRUCTIONS:

- Simply clean the parasol canopy with a soft brush and mild detergent.
- Do not machine wash.
- Do not iron.
- Air-dry the canopy thoroughly before storing for extended periods of time. Make sure the canopy is completely open during drying process to prevent shrinkage.
- If the painted finish gets chipped or scratched, therefore exposing the bare material beneath. It is advisable to remove any surface rust and treat with a suitable touch up paint.
- If the parasol is not to be used for long periods during the winter, store inside or under a suitable cover. Before putting into storage, ensure all of the items are clean and dry.

DANGER: Keep children out of the assembly area during assembly.

WARNING: Read the entire instructions before beginning and follow the steps outlined. Failure to assemble and install as instructed could result in the parasol tipping over causing personal injury and/or property damage.

WARNING: To prevent damage to the canopy, open the parasol facing the opposite direction that the wind is blowing.

WARNING: Do not use this parasol during periods of high winds and rain. Failure to do so may result in personal injury and/or damage.

CAUTION: Assemble and use parasol on a flat surface.

CAUTION: Placement of the parasol over or near a swimming pool can cause premature fading of the canopy. This is not covered under the warranty.

CAUTION: Close the parasol and use the canopy ties when parasol is not in use.

CAUTION: Schematics in this manual are for assembly and operation illustration only. They may differ from the parasol's actual appearance.

When raising the parasol please be aware of overhanging power cables, laundry lines and overhanging branches.


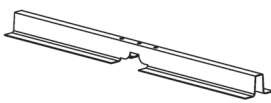
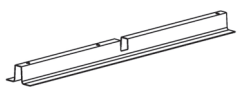
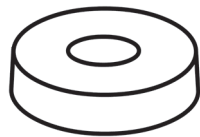
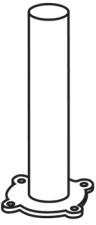
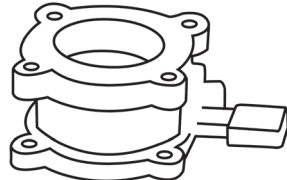
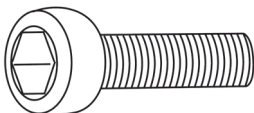
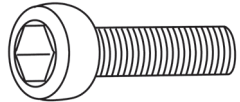

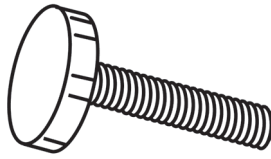
Care must be taken when opening or closing the parasol to ensure that you do not trap or pinch your fingers or clothing.

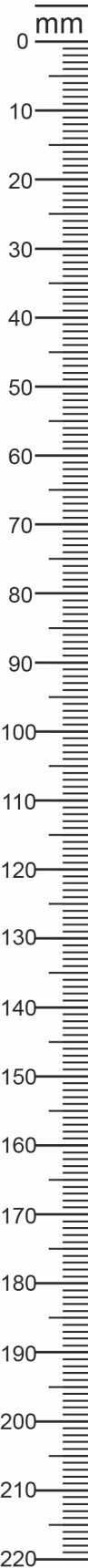
3.5m LED Cantilever Parasol

Assembly Instructions

Components, fixtures & fittings (not actual size)

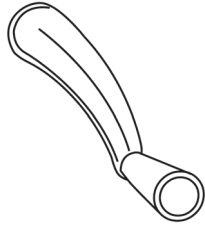

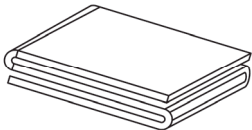
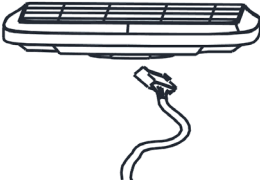
Parts List

Part No.	Diagram	Qty.	Part No.	Diagram	Qty.
A	 Main Parasol	1 PC	B	 Upper Base	1 PC
C	 Bottom Base	1 PC	D	 Swivel Cover	1 PC
E	 Base Pole	1 PC	F	 Swivel Mechanism	1 PC
N18	 M8*18mm	4 PCS	N16	 M8*16mm	4 PCS
H	 Washer	8 PCS	I	 Knob	1 PC



3.5m LED Cantilever Parasol

Assembly Instructions

J		1 PC	K		1 PC
L		1 PC	M		1 PC

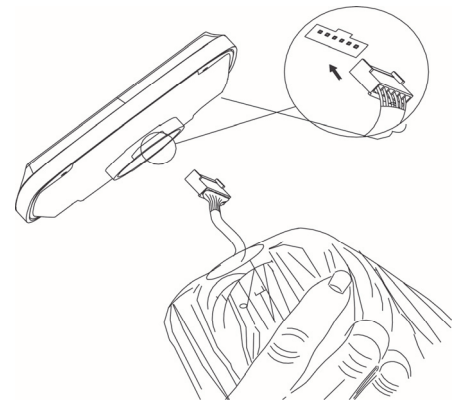
Step by step assembly instructions

CAUTION:

Do not use sharp tools or equipment such as a knife or scissors when removing the protective material, as it may damage the product.

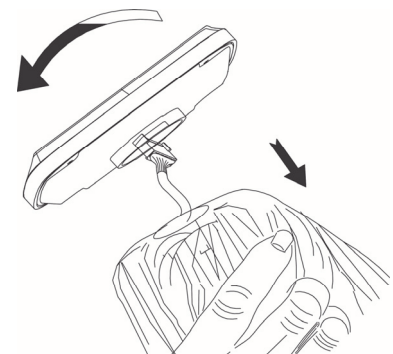
Step One

Insert the plug into the socket under the Solar Panel (M).



Step Two

Put the Solar Panel (M) on the top of parasol and hide the plug and wire inside the groove at the top of parasol. Then turn the Solar Panel (M) clockwise. Do not over tighten.

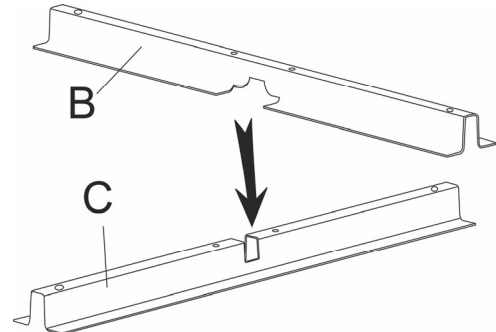


3.5m LED Cantilever Parasol

Assembly Instructions

Step Three

Insert Upper Base (B) into Lower Base (C).



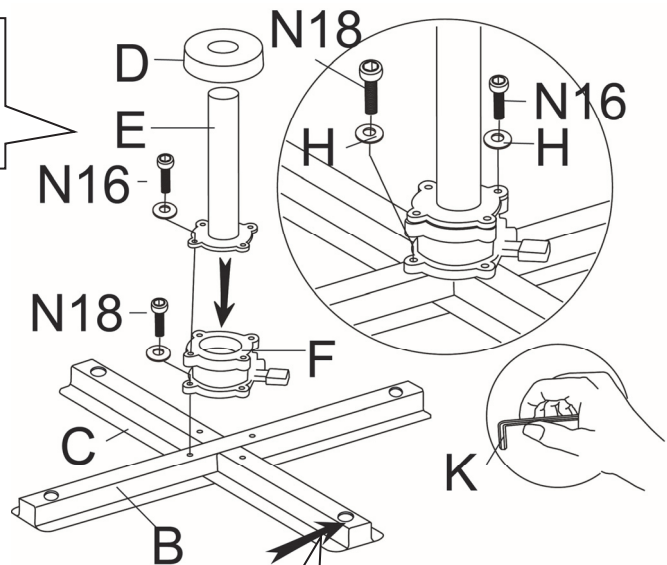
Please note:

Always assemble all parts loosely before finally tightening the bolts.

Step Four

Assemble base by placing Swivel Mechanism (F) on the assembled Base (BC), fasten them with Washers (H), and Bolts (N18) with the Allen Key (K).

Position Base Pole (E) and Washer (H) in line with Swivel Mechanism (F) as shown, fasten them with Washers (H), Bolts (N16) with Allen Key (K). Place the Swivel Cover (D) on the Swivel Mechanism (F).



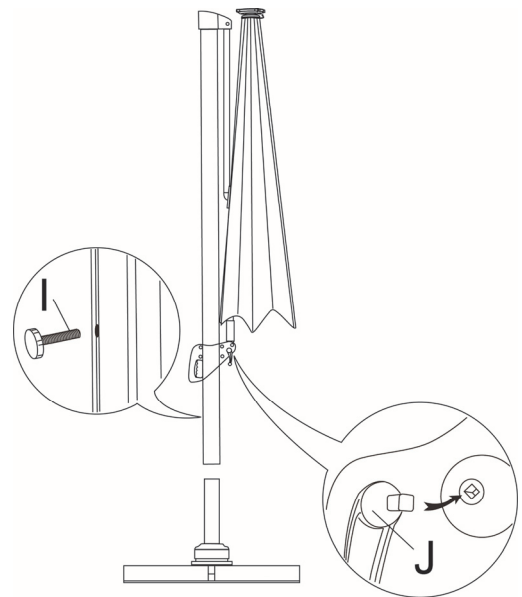
These holes can be used to permanently affix the base to a solid surface.
Note: Pegs or Bolts are not included.

3.5m LED Cantilever Parasol

Assembly Instructions

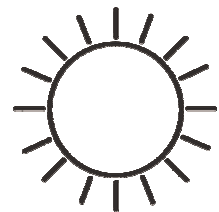
Step Five

Insert Main Parasol (A) into assembled base.
 Lock in place with Knob (I).
 Insert Handle (J) as indicated (see insert).



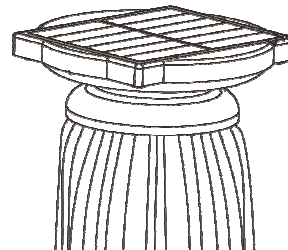
Step Six

YOU MUST CHARGE BATTERIES BEFORE FIRST USE.
 Put the solar parasol in direct sunlight to charge the batteries for 8 hours before the first use.



MAKE SURE THE LIGHT SWITCH IS IN THE “OFF/0” POSITION WHEN CHARGING THE SOLAR PANEL.

Please remove the film on the solar panel. This film is to prevent damage during shipping. Failure to remove the film will result in the solar panel not functioning properly.

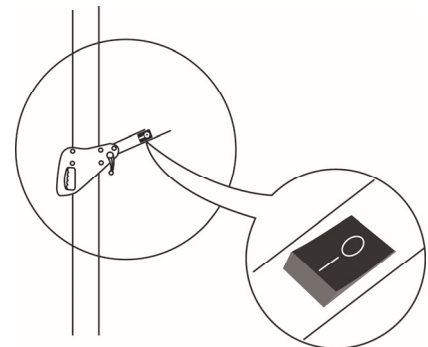


Important

Make sure the light switch is in the “OFF/0” position in the daytime for the solar panel to recharge the batteries.

Failure to charge the batteries will result in premature dimming of the lights in your new solar umbrella.

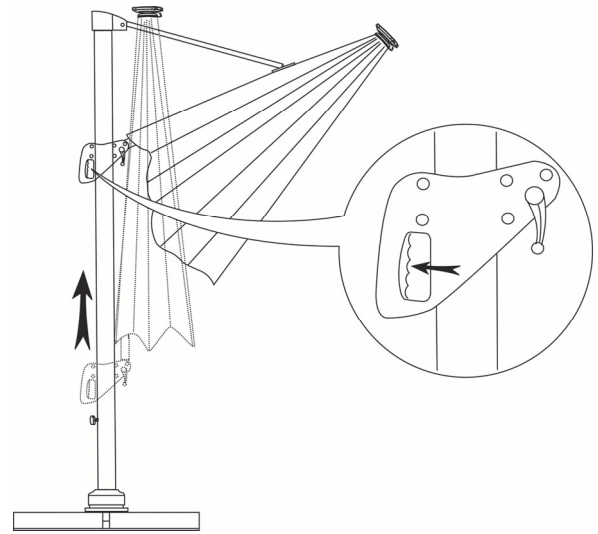
For everyday normal use, turn on the light switch at nighttime when you want to use the solar light and turn off the light switch after every use.



3.5m LED Cantilever Parasol Assembly Instructions

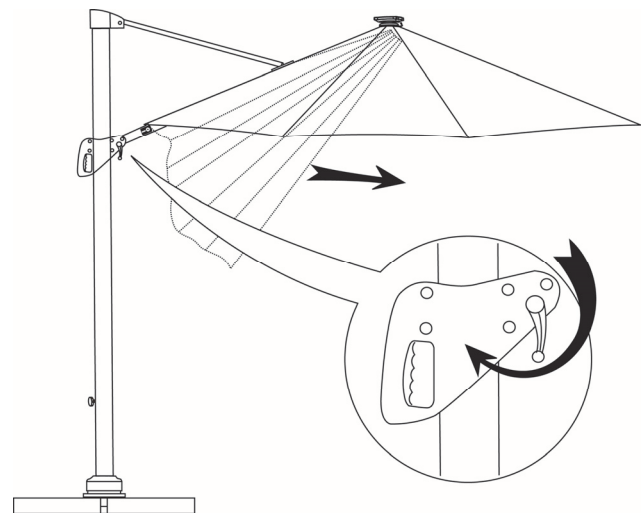
Step Seven

Squeeze trigger before attempting to raise or lower the parasol.



Step Eight

Rotate crank handle clockwise to extend the parasol fully.

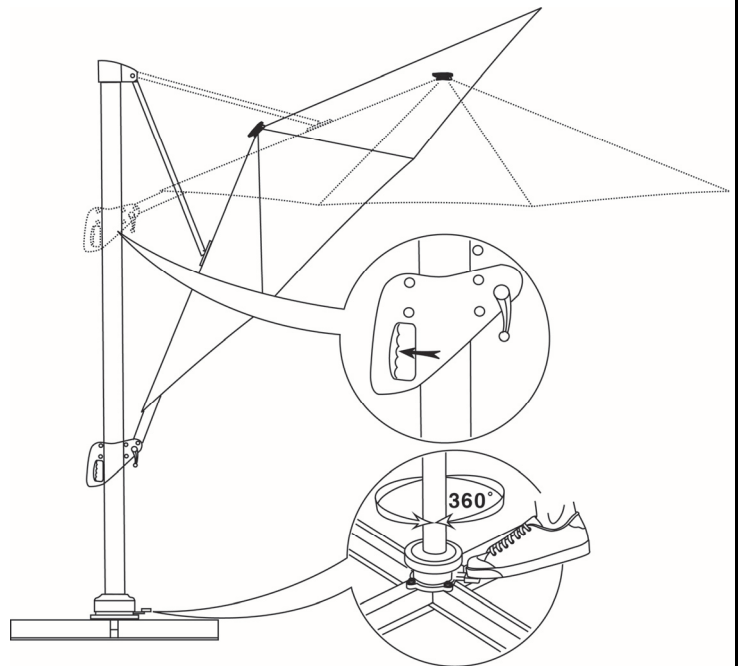


3.5m LED Cantilever Parasol Assembly Instructions

Step Nine

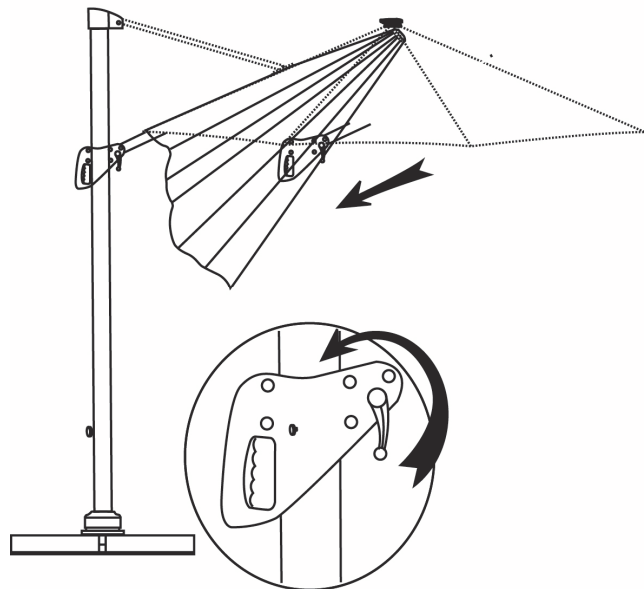
Squeeze trigger and slide the handle up or down to adjust angle of the parasol.

IMPORTANT NOTICE:
Before attempting to rotate the parasol, squeeze down the lever with your foot to release the mechanism.



Step Ten

Rotate crank handle anti-clockwise to close the parasol.

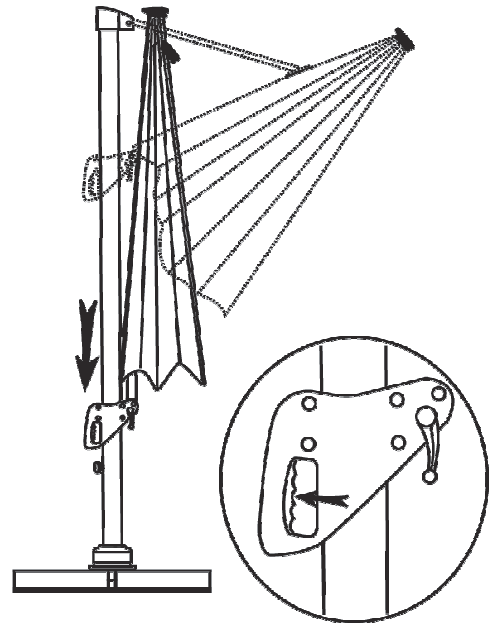


3.5m LED Cantilever Parasol

Assembly Instructions

Step Eleven

Squeeze trigger before attempting to lower the parasol to its closed position.



Battery Replacement

Tools required: Phillips head screw driver (not included)

We recommend that you change the batteries in your solar light parasol every year or when you feel the light output is diminished. Use only three (3) AA size Ni-MH 1600mAh rechargeable batteries from any major retailer.

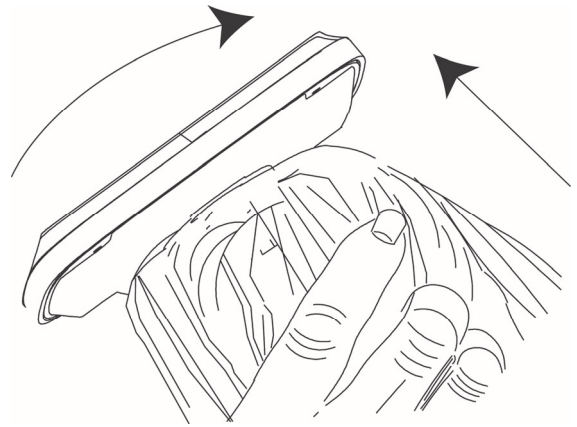
- Install only new batteries of the same type in your product.
- Failure to insert batteries in the correct polarity, as indicated in the battery compartment, may shorten the life of the batteries or cause batteries to leak.
- Do not mix old and new batteries.
- Do not mix Alkaline, Nickel Cadmium or Lithium rechargeable batteries.
- Do not dispose of batteries in fire.
- Batteries should be recycled or disposed of as per state, provincial and local guidelines.

3.5m LED Cantilever Parasol

Assembly Instructions

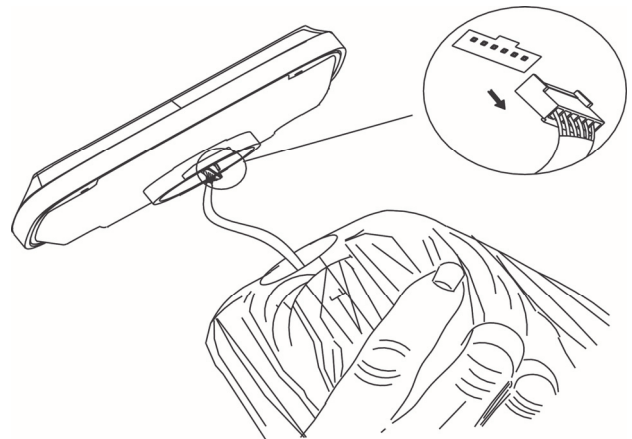
Step One

Twist counterclockwise and remove the Solar Panel (M) from the top of the parasol.



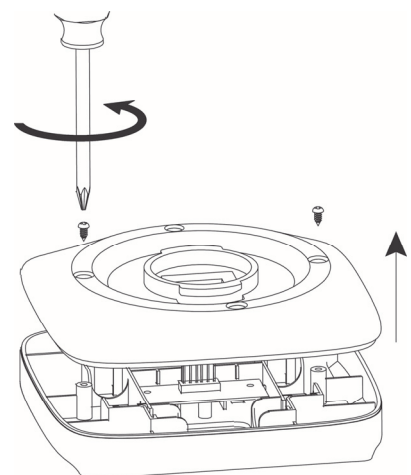
Step Two

Pull the plug out of the socket under the Solar Panel (M). Pull by holding the plug, not by pulling on the wires.



Step Three

Place the Solar Panel (M) upside down on a non-abrasive surface to avoid scratching. Remove four (4) screws on the bottom case.

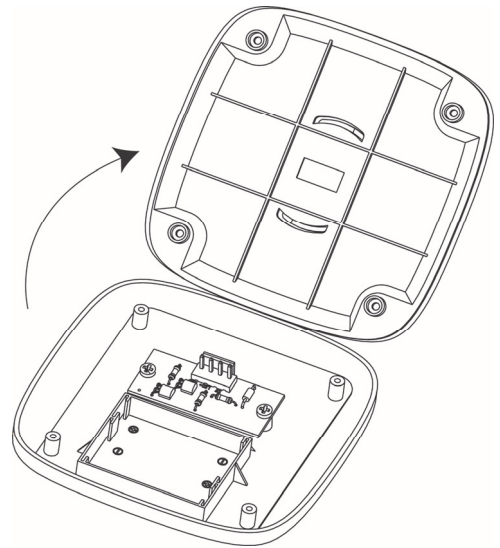


3.5m LED Cantilever Parasol

Assembly Instructions

Step Four

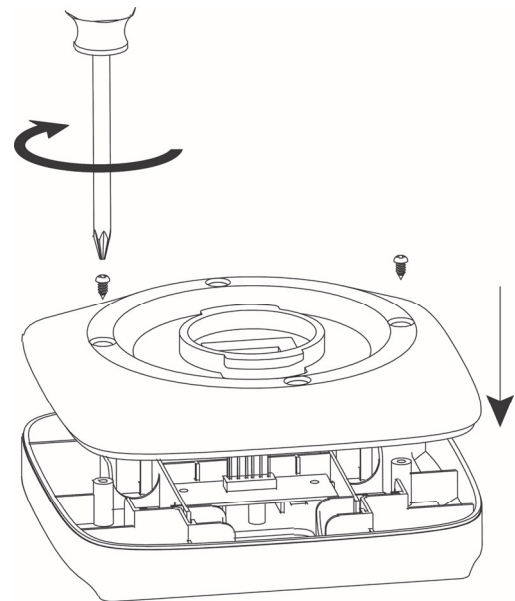
Carefully open the bottom case and set aside.
Replace the battery, matching the +/- on the battery with the +/- on the battery case.



Step Five

Carefully replace the bottom case.
Align the screw holes and replace the screws.
Do not over tighten the screws.

Follow the previous assembly steps to assemble the Solar Panel (M).



Suitable parasol bases should be used together with this parasol!

PLEASE KEEP THESE INSTRUCTIONS FOR FUTURE REFERENCE