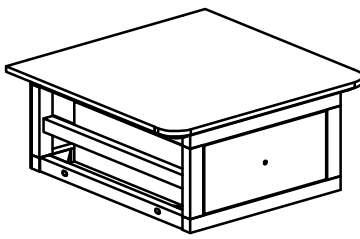
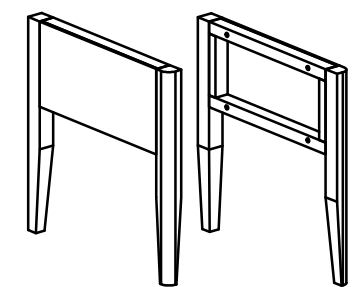
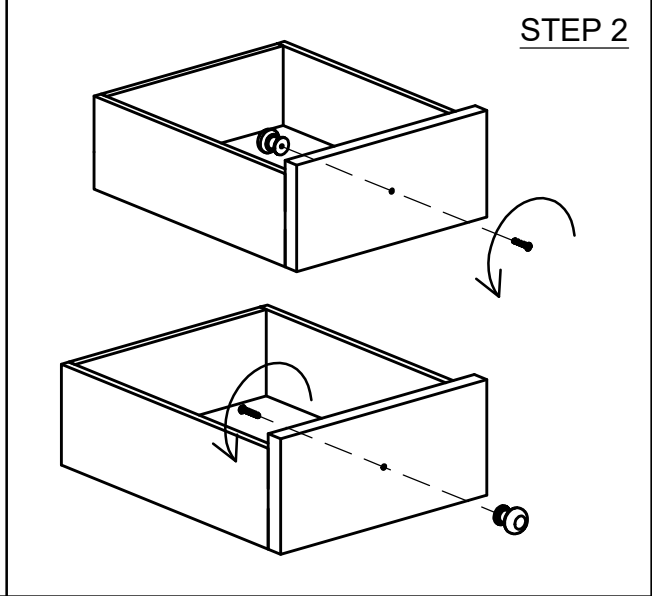
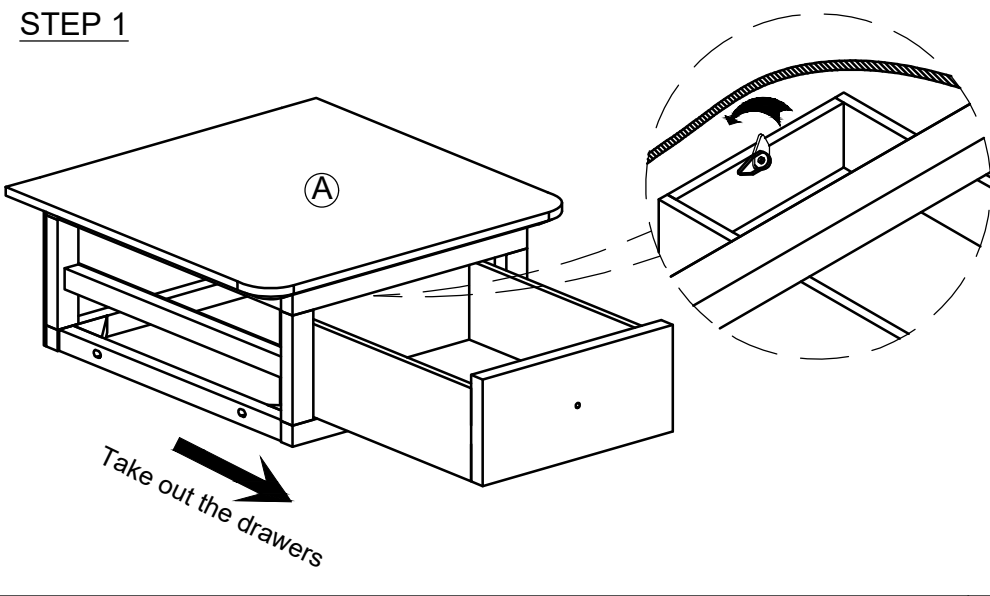






ASSEMBLY INSTRUCTION

G5750 - LAMP TABLE_KD

No	Name of Component	Q.ty
Ⓐ		1
Ⓑ		2



No	Name of Hardware	Q.ty
①	Bolts M6x35 	4
②	Bolts M6x60 	4
③	Flat Washers 	8
④	Allen key K4 	1

