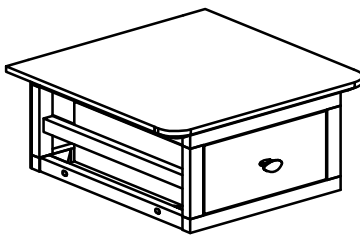
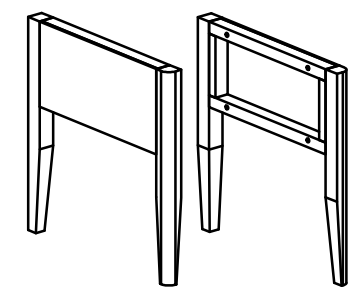
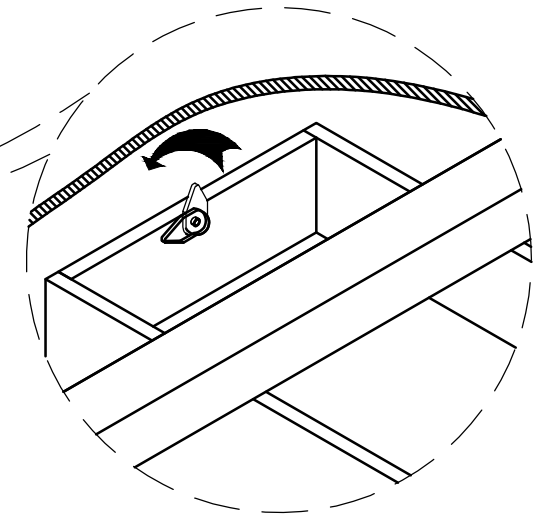
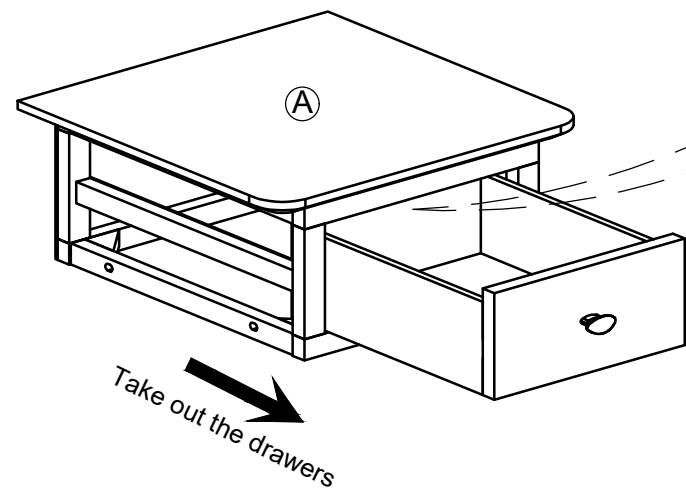






ASSEMBLY INSTRUCTION

G5666 - LAMP TABLE_KD

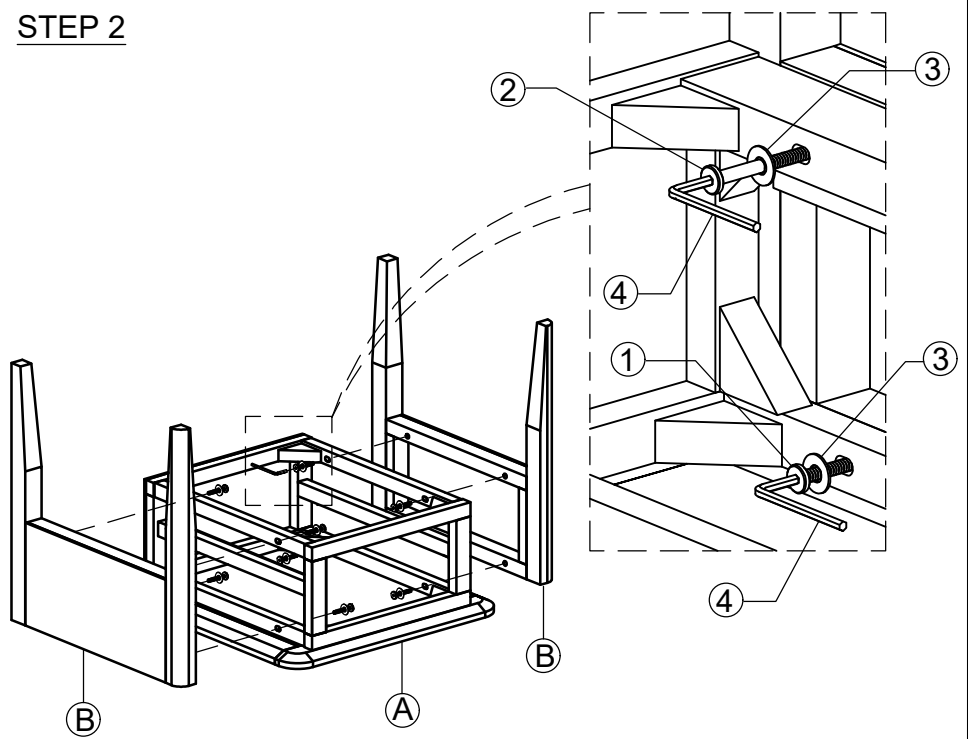
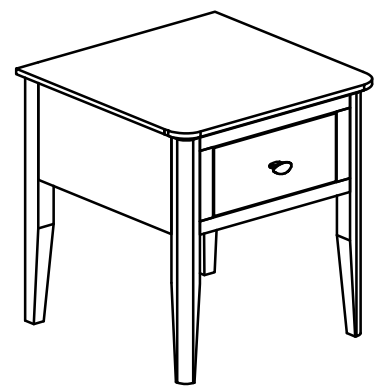
No	Name of Component	Q.ty
(A)		1
(B)		2

STEP 1



No	Name of Hardware	Q.ty
(1)	Bolts M6x35 	4
(2)	Bolts M6x60 	4
(3)	Flat Washers 	8
(4)	Allen key K4 	1

STEP 2



STEP 3

