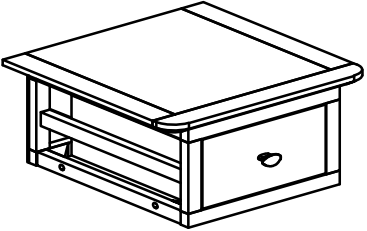
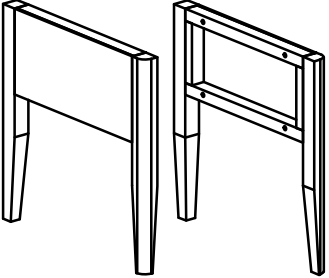
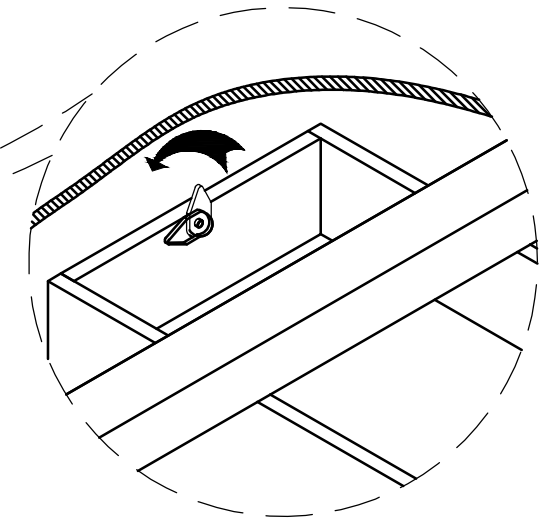
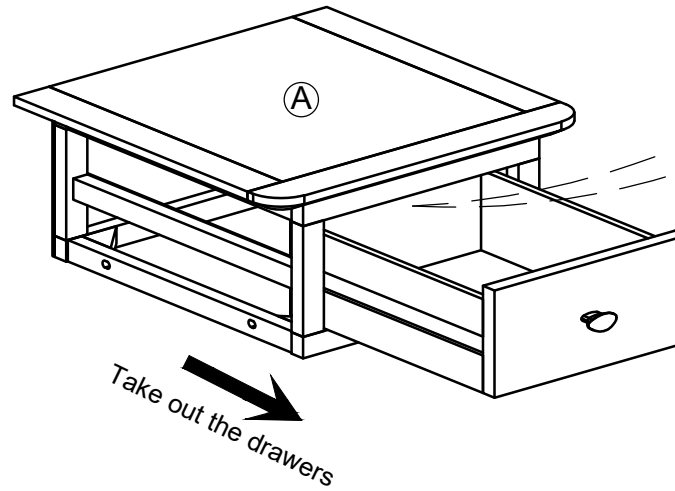





ASSEMBLY INSTRUCTION LAMP TABLE_KD

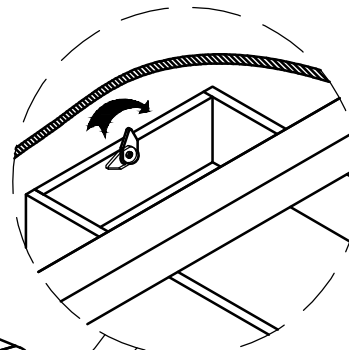
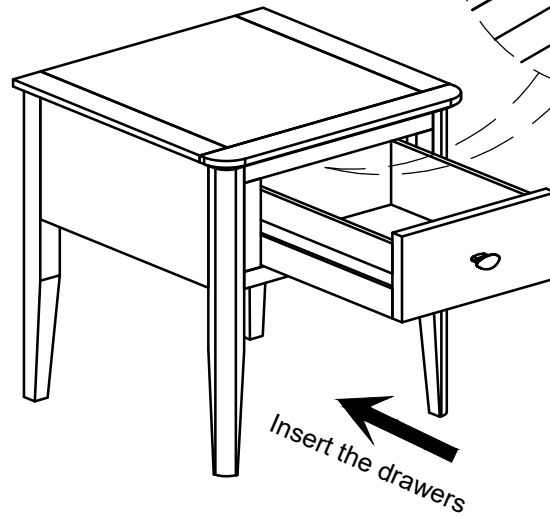
No	Name of Component	Q.ty
Ⓐ		1
Ⓑ		2

STEP 1



No	Name of Hardware	Q.ty
①	Bolts M6x35 	8
②	Flat Washers 	8
③	Allen key K4 	1

STEP 3



STEP 2

