



Hydraulic UBE Rehab Table



HealthCare International, Inc.
PO Box 1509, Langley, WA 98260
www.HClFitness.com – sales@hcifitness.com

Table of Contents

Safety Precautions.....	4
Before You Begin	5
Assembly Instructions	6
Quick Tips	8
Levelers:.....	8
Height Adjustment:	8
UBE Brackets:	8
General Maintenance.....	8
Exploded Drawing.....	9
Parts List.....	10
Hardware Kit	11

Safety Precautions

This product was designed and built for optimum safety. However, certain precautions apply whenever you operate a piece of exercise equipment. Be sure to read the entire manual before assembly and operation of this table.

Also, please note the following **safety precautions**:

1. Read all instructions carefully before using the table.
2. Consult your physician or other health care professional before beginning this or any type of exercise program.
3. Always wear proper exercise apparel when using the table.
4. If at any time you feel faint, light-headed, or dizzy while operating the table, stop exercise immediately. You should also stop exercising if you are experiencing pain or pressure.
5. Keep children and pets away from the table while in use.
6. Only one person can use the table at a time.
7. Make sure your table is correctly assembled before you use it. Be sure all screws, nuts, and bolts are tightened prior to use and retighten periodically.
8. Do not operate this or any exercise equipment if it is damaged.
9. Keep hands and feet away from any moving parts. Do not insert any objects into any openings.
10. Keep clothes, jewelry, or loose items away from moving parts.



Please note:

Maximum weight limit for the UBE Rehab Table is 65 lbs (29 kg)



WARNING

BEFORE BEGINNING ANY EXERCISE, PROGRAM CONSULT YOUR PHYSICIAN. THIS IS ESPECIALLY IMPORTANT FOR INDIVIDUALS OVER THE AGE OF 35 OR PEOPLE WITH PRE-EXISTING HEALTH PROBLEMS. READ ALL INSTRUCTIONS BEFORE USING THIS FITNESS EQUIPMENT. WE ASSUME NO RESPONSIBILITY FOR PERSONAL INJURY OR PROPERTY DAMAGE SUSTAINED BY OR THROUGH THE USE OF THIS PRODUCT.

HCI Fitness - UBE Rehab Table

Thank you for your purchase of the **Hydraulic UBE Table** from HCI Fitness. We believe that you have purchased one of the highest quality and affordable UBE Tables on the market today. Prior to using your new Hydraulic UBE Table please review the operator's manual and product tips to maximize your workout experience.

HealthCare International is a leading supplier and distributor of innovative products for Health,

*Wellness, Fitness & Active Aging. Visit our website – **www.HCIFitness.com** for information on all of our products.*

Before You Begin

Before you begin assembly, please take a moment to review the Hardware and Parts List on pages 7 and 8. Each part has been illustrated and numbered for easy identification.

NOTE

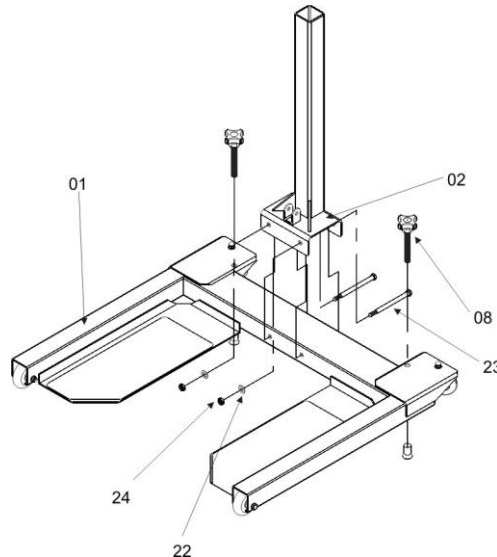
Before you start to assemble this unit, please note that some of the parts and screws needed for assembly are already in place on the unit.

If you need assistance during assembly, please call us at 360.321.7090 or email us at service@hcifitness.com.

Assembly Instructions

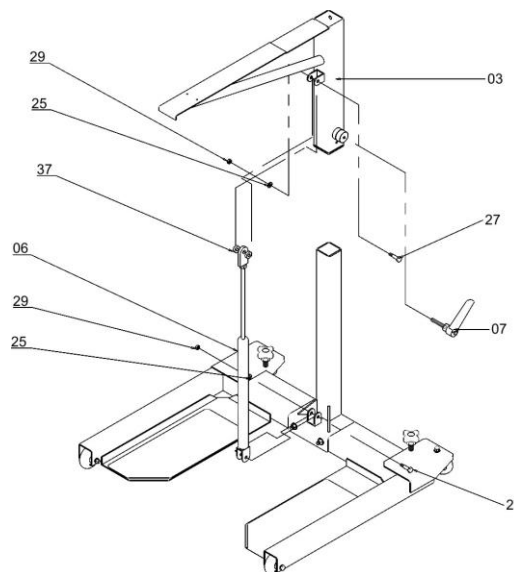
Step 1:

- a. Attach the Lower Frame (02) to the Base Frame (01). Insert the front two sets of Hex Bolts (23), Flat Washers (22) and Nuts (24) as shown in the illustration below.
- b. Insert the two knobs (08) to the Base Frame. Tighten the knobs until the rubber ends come in contact with the floor. This will help secure the base while assembling the rest of the table.



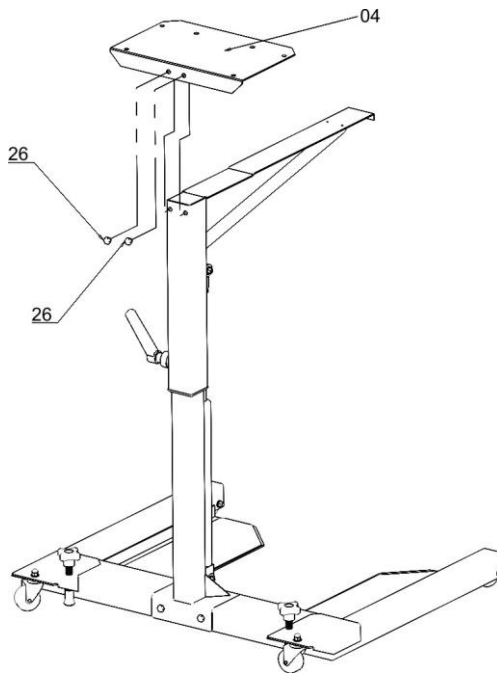
Step 2:

- a. Insert the Upper Frame (03) into the Lower Frame (02) with the plastic Insert (10) that is “already in place”. Securely tighten using the Clamp Lever (07).
- b. Attach the Cylinder (06) to the Frames (02 & 03) with two plastic Washers (37) using two Hex Bolts (27), Flat Washers (25), and Nuts (29) as illustrated below. Securely tighten the bolts.



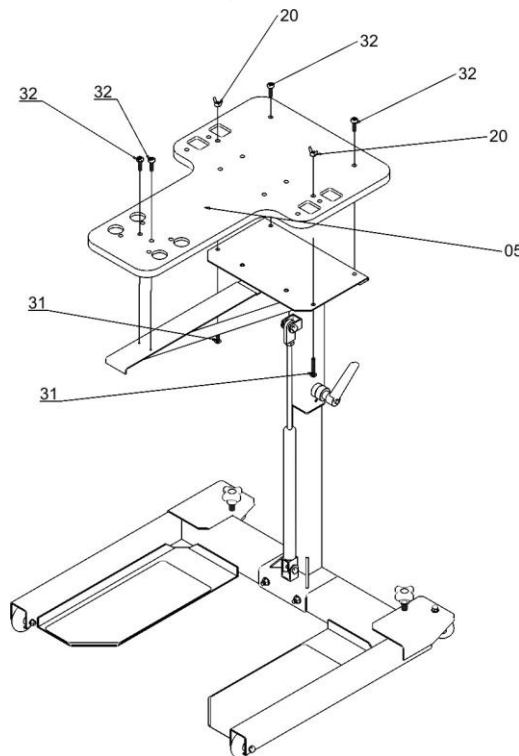
Step 3:

- a. Connect the Stabilizer Plate (05) to the Frame (03) with two Hex Head Screws (26) as illustrated below. Securely tighten the bolts.



Step 4:

- a. Attach the Table Board (05) onto the Plate (04) using 4 Bolts (32) and two Mushroom Screws (31) with Wing Nut (20) as shown in the illustration below.



Please note: Periodically retighten all screws, nuts, and bolts.

Quick Tips

Levelers:

There are levelers on the front of the unit, beneath the frame. Please adjust the levelers to stabilize the unit on your floor.

Height Adjustment:

The **Hydraulic UBE Table's** height can be adjusted with the assistance of the hydraulic piston. To **lower the table top**, release the clamp knob on the right side of the unit. Then press down on the front and back of the unit. To **raise the table top**, release the clamp knob on the right side of the unit and pull upward on the front and back of the unit. Once the desired height is achieved, lock the clamp knob by twisting it to the right.

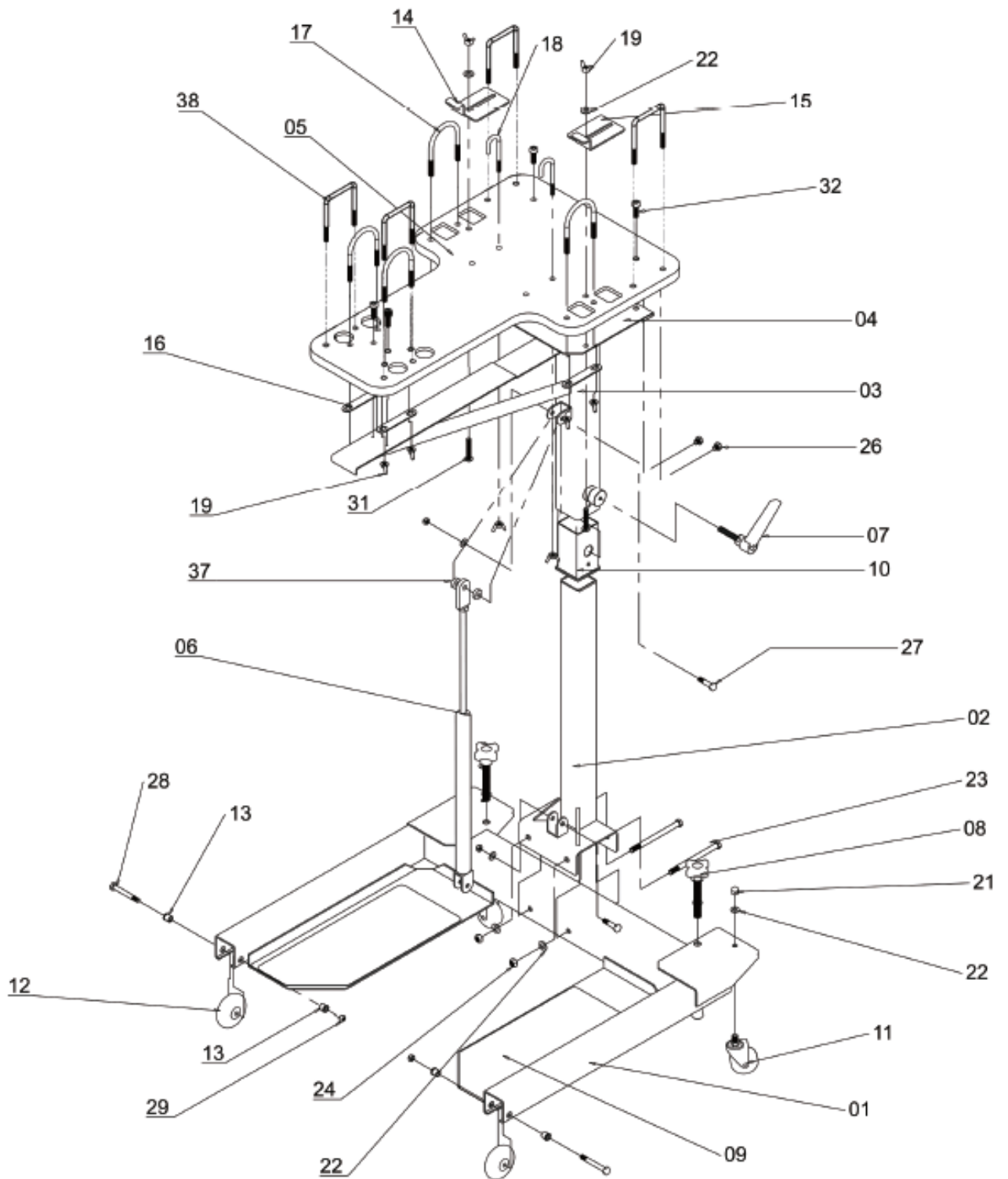
UBE Brackets:

The **Hydraulic UBE Table** comes with multiple sets of brackets that are used to secure the UBE trainer to the table. Square Brackets for UBEs with square tubing and Rounded Brackets for UBEs with round tubing. **Please note that you will not need all the brackets included.**

General Maintenance

- 1. Cleaning** - Use soap and warm water or antibacterial wipes to clean the surface of your unit.
- 2. Tightening** - Periodically inspect your unit to ensure that all screws, nuts, and bolts are tightened and retighten if necessary. Do not over tighten.






















Exploded Drawing



Parts List

No.	Description	Qty	No.	Description	Qty
01	Base Frame	1	20	Wing Nut 1/4"	10
02	Lower Frame	1	21	Hex cap nut 3/8"	2
03	Upper Frame	1	22	Flat Washer 3/8"	2
04	Stabilizer Plate	1	23	Hex bolt 3/8" L5"	4
05	Table Board	1	24	Hexagonal Nut 3/8"	2
06	Cylinder	1	25	Flat Washer	2
07	Clamp Levers	1	26	Hex head Screw 5/16"L1/2	10
08	Knob	2	27	Hex bolt 5/16" L1 1/2"	2
09	Foot Sheet	2	28	Hex bolt 3/8" L2 1/2"	2
10	Insert	1	29	Hexagonal Nut 5/16"5/16"	2
11	Moving Casters	2	30	Spring Washer SW8	4
12	Roller	2	31	Mushroom Screw 1/4"L1 3/4"	2
13	Bushes	4	32	Allen Bolt 1/4"L 1 1/4"	2
14	Plate(L)	1	33	Flat Washer	4
15	Plate(R)	1	34	Allen Wrench 4 m/m	6
16	Plate Washer	4	35	13x15Wrench	1
17	Pipe Hanger	4	36	17x19x12x14Wrench	1
18	"J" Hooks	2	37	Plastic Washer	2
19	Wing Nut 5/16"	10	38	□ Hanger	4

Hardware Kit

-  (08) Knob 1/2" x 4" -2pcs
-  (16) Plate washer 18x96x2T -4pcs
-  (19) Wing nut 5/16" -10pcs
-  (20) Wing nut 1/4"-2pcs
-  (21) Hex cap nut 3/8"-2pcs
-  (22) Flat washer 3/8"-4pcs
-  (23) Hex bolt 3/8"-2pcs
-  (24) Hexagonal nut 3/8"-2pcs
-  (25) Flat washer 5/16"-10pcs
-  (26) Hex head screw 5/16"x 1/2" -2pcs
-  (27) Hex bolt 5/16" x1 1/2" -2pcs
-  (28) Hex bolt 5/16" x2 1/2" -2pcs
-  (29) Hexagonal nut 5/16" -4pcs
-  (30) Spring washer SW8 -2pcs
-  (31) Mushroom screw 1/4"x 1 3/4" -2pcs
-  (32) Allen bolt 1/4" x1 1/4" -4pcs
-  (33) Flat washer 1/4" -6pcs
-  (34) Allen wrench 4 m/m -1pcs
-  (35) 13x15 Wrench -1pcs
-  (36) 17x19x12x14 Wrench -1pcs
-  (37) Plastic Washer-2PCS

