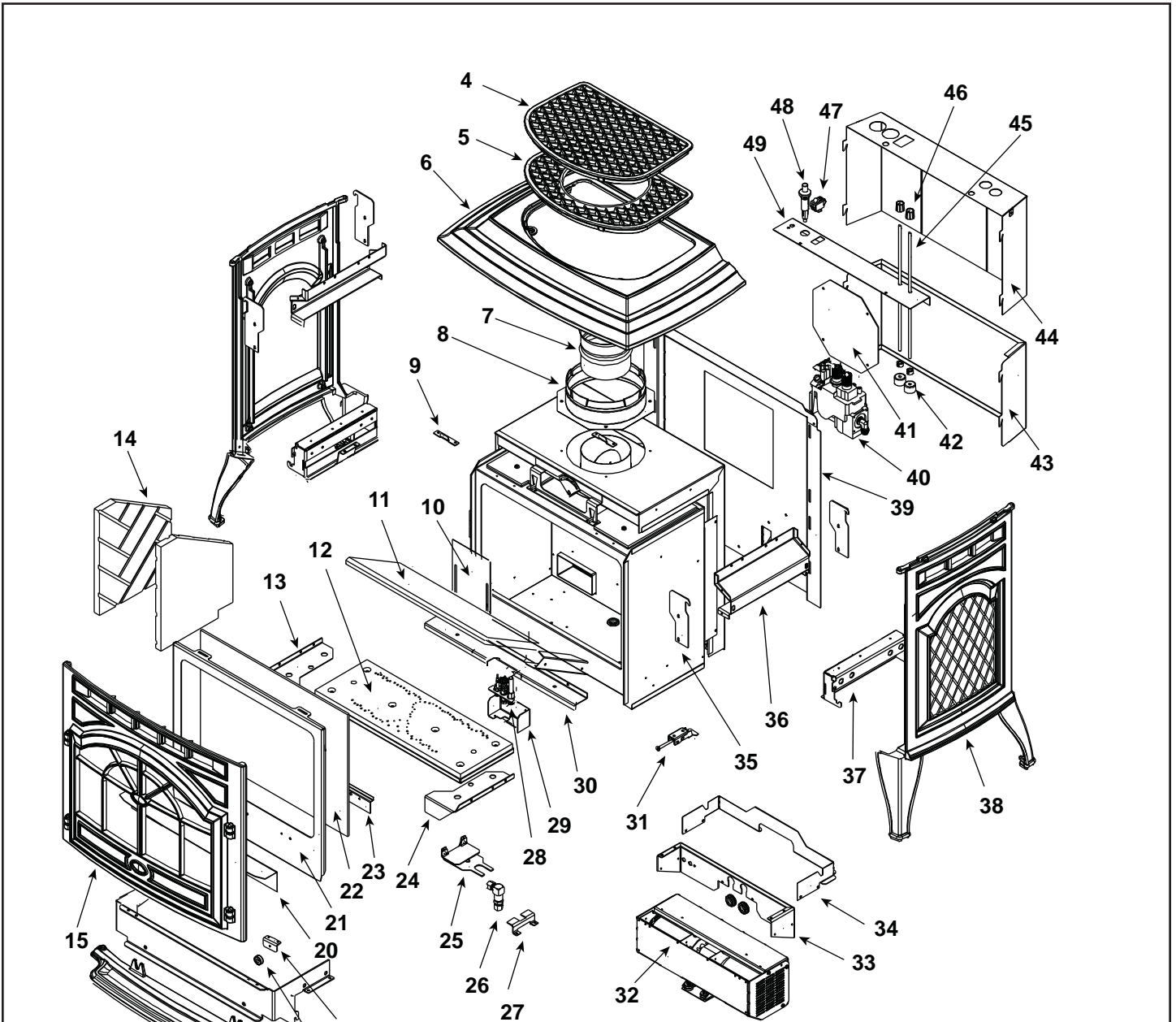
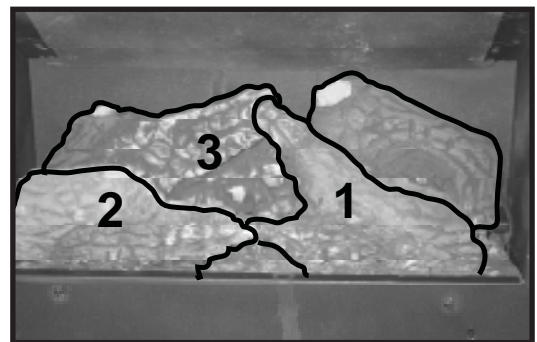


CASTILE-GAS-CSB, CASTILE-GAS-CWL, CASTILE-GAS-MBK, CASTILE-GAS-PMH



### Log Set Assembly



Part number list on following pages.

IMPORTANT: THIS IS DATED INFORMATION. When requesting service or replacement parts for your appliance please provide model number and serial number. All parts listed in this manual may be ordered from an authorized dealer.



**Stocked  
at Depot**

ITEM	DESCRIPTION	COMMENTS	PART NUMBER	
	<b>Log Assembly</b>		LOGS-T1	<b>Y</b>
1	Log Front Right		7010-163	
2	Log Front Left		7010-164	
3	Log Rear		7010-165	
	Log Pin Ceramic (Pkgs of 12)	1/4" x 1"	7000-465/12	<b>Y</b>
		1/4" x 1-1/2"	7000-466/12	<b>Y</b>
4	Grille, Rear Vent	Black	RV-CG-MBK	
		Mahogany	RV-CG-PMH	
		Sienna Bronze	RV-CG-CSB	
		Willow	RV-CG-CWL	
5	Grille, Top Vent	Black	455-0370MBK	
		Mahogany	455-0370PMH	
		Sienna Bronze	455-0370CSB	
		Willow	455-0370CWL	
6	Top	Black	7021-101MBK	
		Mahogany	7021-101PMH	
		Sienna Bronze	7021-101CSB	
		Willow	7021-101CWL	
7	Flue Adapter, SLP		SLP-SA	
8	Dv Adapter	6-5/8 inch	7000-162	
9	Door Retainer		7010-122	
10	Plate, Damper		468-0360	
11	Baffle		7010-136	<b>Y</b>
12	Burner W/Neck Assembly		SRV7010-025	<b>Y</b>
13	Burner Support, Left	Pre 71900592	7010-141	
14	Brick Set		BRICK-T1	
15	Face	Black	413-0030BK	
		Must Specify Color	413-0030POR	
		Must Specify Color	413-0030PWD	
16	Ashcatcher	Black	413-0010BK	
		Must Specify Color	413-0010POR	
		Must Specify Color	413-0010PWD	
17	Ash Lip Mount Assembly		7023-004	
	Screw, Pan Head Philips 8-32 X 3/8	Pkg of 40	225-0500/40	<b>Y</b>
18	Magnet Round		SRV7000-140	<b>Y</b>
19	Bracket, Magnet		7023-108	
20	Door Shield		7023-109	

Additional service part numbers appear on following page.

IMPORTANT: THIS IS DATED INFORMATION. When requesting service or replacement parts for your appliance please provide model number and serial number. All parts listed in this manual may be ordered from an authorized dealer.



**Stocked  
at Depot**

ITEM	DESCRIPTION	COMMENTS	PART NUMBER	
21	Door Assembly		7010-016	
22	Glass Assembly	17.19 W x 12.32 H	7010-017	Y
23	Glass Retainer		7010-121	
	Glass Gasket - Field Cut to Size		844-3010	Y
	Screw, Pan Head Philips 8-32 X 3/8	Pkg of 40	225-0500/40	Y
	Tape, Door Corner - Field Cut to Size		SRV7027-227	
24	Burner Support, Right	Pre 71900592	7010-140	
25	Shutter Assembly		7002-016	
26	Bulkhead		26457	Y
27	Bulkhead Stop		474-0090	
28	Pilot Assembly NG		230-1781	Y
29	Pilot Bracket	Pre 71900592	7010-135	
30	Log Support Rear		7010-134	
31	Latch, Draw		229-0640	Y
32	Blower Universal Gas		BK-GAS	
	Blower Cord Only		832-2410	Y
	Blower Housing		7016-138	
	Blower, Convection		812-4900	Y
	Bracket, Thermostat		455-7230	
	Component Pack Assembly		7016-016	
	Knob, Rheostat (Black)		100-512	Y
	Snap Disc, Ceramic		SRV230-0960	Y
	Speed Control Only (Rheostat)		842-0370	Y
	Wire Harness		455-7240	
33	Blower Bracket Rear		7009-103	
34	Blower Bracket		7010-146	
35	Hook, Cast Mounting		7023-102	
36	Bracket, Cast Mounting, Upper		7023-100	
37	Bracket, Cast Mounting, Bottom		7023-101	
38	Side	Black	413-0040BK	
		Must Specify Color	413-0040POR	
		Must Specify Color	413-0040PWD	
39	Back Shield Support		7023-104	
40	Valve Replacement, Sit NG		842-0240	Y
	Valve Replacement, Sit LP		842-0230	Y
41	Cover Plate		7010-159	
42	Adapter, Valve Extension		450-6330	
43	Back Shield Lower		7023-107	

Additional service part numbers appear on following page.

IMPORTANT: THIS IS DATED INFORMATION. When requesting service or replacement parts for your appliance please provide model number and serial number. All parts listed in this manual may be ordered from an authorized dealer.



**Stocked  
at Depot**

ITEM	DESCRIPTION	COMMENTS	PART NUMBER	
44	Back Shield Upper		7023-106	
45	Rod, Control		455-0340	
46	Knob, Rheostat (Black)		100-512	Y
47	Switch, Rocker		230-0730	Y
48	Piezo Ignitor -Black Knob		291-513	Y
49	Plate, Switch		7023-105	
	Baffle Bracket		7010-137	
	Brass Elbow		17524	
	Burner Plate Assembly	Post 71900593	7010-022	
	Burner Stop	Pre 71900592	7010-152	
	Collar, Set, 1/4		229-0750	
	Component Pack Assembly (Includes On/Off Valve; Lp Orifice; Mineral Wool; Lp Pilot Injector; Touch-Up Paint; Fasteners; Lp Conversion Regulator; Conversion Label; Leg Leveling Assembly; Snap Disc Bracket; Warranty Card; Consumer View Card & Owners Manual)	Black	7023-001	
		Mahogany	7023-005	
		Powder Coat	7023-006	
		Willow	7023-007	
	Injector, Pilot, Ez, Lp, 35		200-2630	Y
	Leveling Assembly		7000-000	
	Mineral Wool, Bag		200-2550	
	Nut, Keps Lock, 10-32	Pkg of 40	226-0050/40	Y
	On/Off Valve		15697	Y
	Orifice Lp .063		17236	Y
	Paint Touch-Up, 4 Oz	Black	812-0910	
		Mahogany	855-1450	Y
		Sienna Bronze	TOUCHUP-CSB	
		Willow	TOUCHUP-CWL	
	Regulator, Conversion, Sit, Lp		230-1520	Y
	Snap Disc Bracket		7009-108	
	Elbow, 3/8 Flare X 3/8 Npt		4021-045	
	Electrode, Sit, Ez, Flush		842-4580	Y
	Flex Line 3/8 Flare X 22L		7000-197	Y
	Flue Collar Assembly		7010-015	
	Damper Stop		468-0210	
	Gasket Flue Collar		455-0660	
	Gasket, Cover Plate		7010-160	
	Gasket, Elbow		460-0610	
	Line, Gas, T6-18		450-6360	

Additional service part numbers appear on following page.

