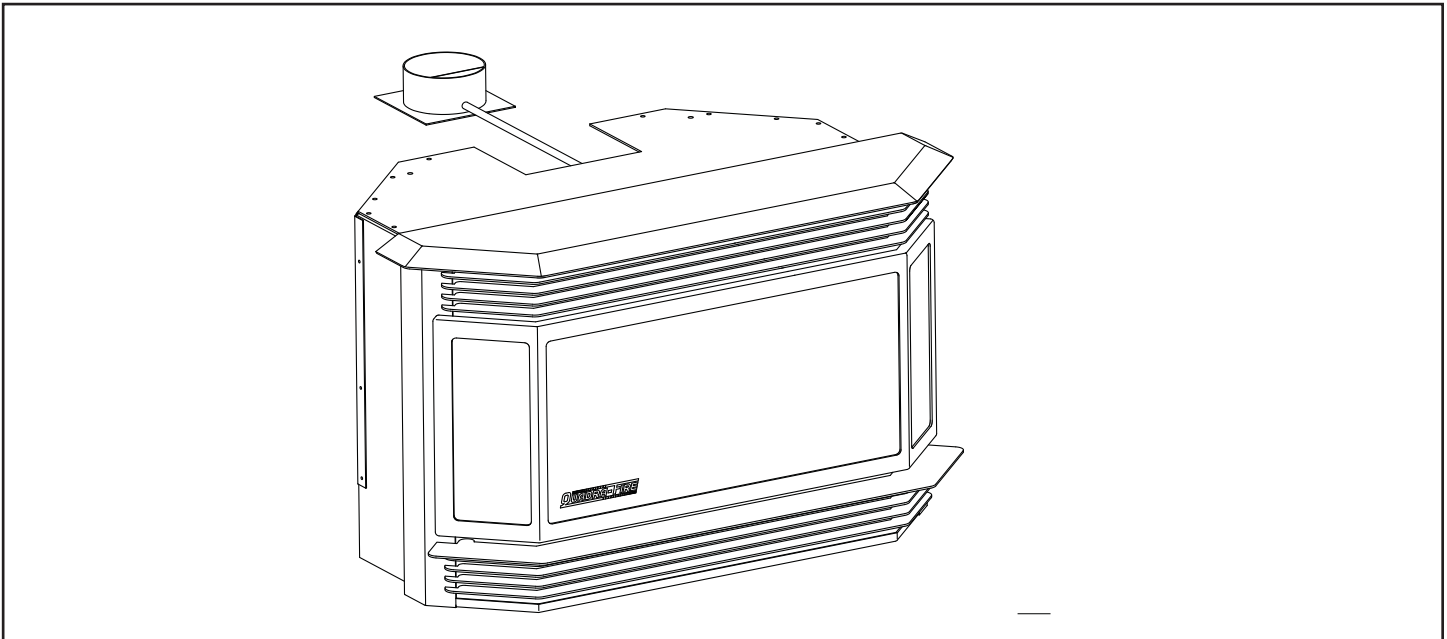


Gas Insert
840-0060, 840-0050, 840-0200,
840-0190, & 840-0280

Beginning Manufacturing Date: Aug 1995
Ending Manufacturing Date: Mar 2003

Last SN #257334



IMPORTANT: THIS IS DATED INFORMATION. Parts must be ordered from a dealer or distributor. **Hearth and Home Technologies does not sell directly to consumers.** Provide model number and serial number when requesting service parts from your dealer or distributor.



Stocked
at Depot

ITEM	DESCRIPTION	COMMENTS	PART NUMBER	
	Baffle	No longer available	842-4140	
	Blowers	Pre 253377	812-4900	Y
		No longer available	842-3360	
	Brick Panel Set	No longer available	841-0330	
	Burner Tube Set	No longer available	842-2160	Y
	Conversion Kits			
	Conversion Kit, NG	No longer available	842-0991	
	Conversion Kit, LP	No longer available	842-1001	
	Conversion Kit LP, Post 255524	No longer available	842-4160	
	Door, H-Channel, Black	No longer available	842-3100	
	Door, H-Channel, gold	No longer available	842-3090	
	Door Parts:			
	Glass, Front H-Channel	No longer available	842-1280	Y
	Glass, Side H-Channel	No longer available	842-1360	Y
	Glass Tape	3/4" x 5'	832-0460	Y
	Rope	5/8"	842-1420	
	Replacement Latch Box	No longer available	842-0971	
	T-Handle, Door	No longer available	812-0930	
	Log Set	No longer available	841-0341	
	Nuggets	No longer available	841-0370	

IMPORTANT: THIS IS DATED INFORMATION. Parts must be ordered from a dealer or distributor. **Hearth and Home Technologies does not sell directly to consumers.** Provide model number and serial number when requesting service parts from your dealer or distributor.



**Stocked
at Depot**

ITEM	DESCRIPTION	COMMENTS	PART NUMBER	
	Orifices:			
	Burner Orifice, #38	No longer available	450-2790	Y
	Burner Orifice, #52	No longer available	450-2650	
	Burner Orifice, #43		842-0910	Y
	Burner Orifice, #63	No longer available	842-1020	Y
	Burner Orifice, #66	No longer available	842-1010	
	Pilot Orifice, NG, 51		200-2420	Y
	Pilot Orifice, LP, 35	No longer available	842-4450	
	Pilot Orifice, NG, EZ, 62		842-4440	Y
	Pilot Orifice, LP, EZ, 35		200-2630	Y
	Pilot Parts:			
	Pilot Assembly, NG, Pre #250773	No longer available	842-0980	
	Pilot Assembly, LP Pre #250773	No longer available	842-1710	
	Pilot, NG, Post 250773	Bracket Only	842-1880	Y
	Pilot Assembly, NG, EZ		842-4240	Y
	Pilot Assembly, LP,EZ		Use LP Pilot Orifice	
	Thermocouple, Pre #250773		842-1580	Y
	Thermocouple Post #250773		842-0390	Y
	Thermocouple, EZ		200-2950	Y
	Thermopile		842-0250	Y
	Electrode w/ Wire	No longer available	842-4590	
	Piezo Igniter		291-513	Y
	Piezo Wire	No longer available	842-2080	
	Switches and Electrical Parts:			
	Slide Control	No longer available	842-1380	
	Fan Switch, Rocker, Post #253377		812-3500	Y
	Switch, On/Off Rocker		230-0730	Y
	Slide Control Knob	No longer available	842-2330	
	Snap Disc, Fan, 145		SRV230-0950	Y
	Snap Disc, Spill, 250		SRV230-0071	Y
	Wire Harness, Pre #253376	No longer available	842-1370	
	Wire Harness, Post #253377	No longer available	842-3370	
	Valves Parts:			
	Valve, NG		842-0240	Y
	Valve, LP		842-0230	Y
	Regulator, NG		230-1570	Y
	Regulator, LP		230-1520	Y
	Flame Enhancement Kit	No longer available	842-4970	
	Installation Manual		250-2641	