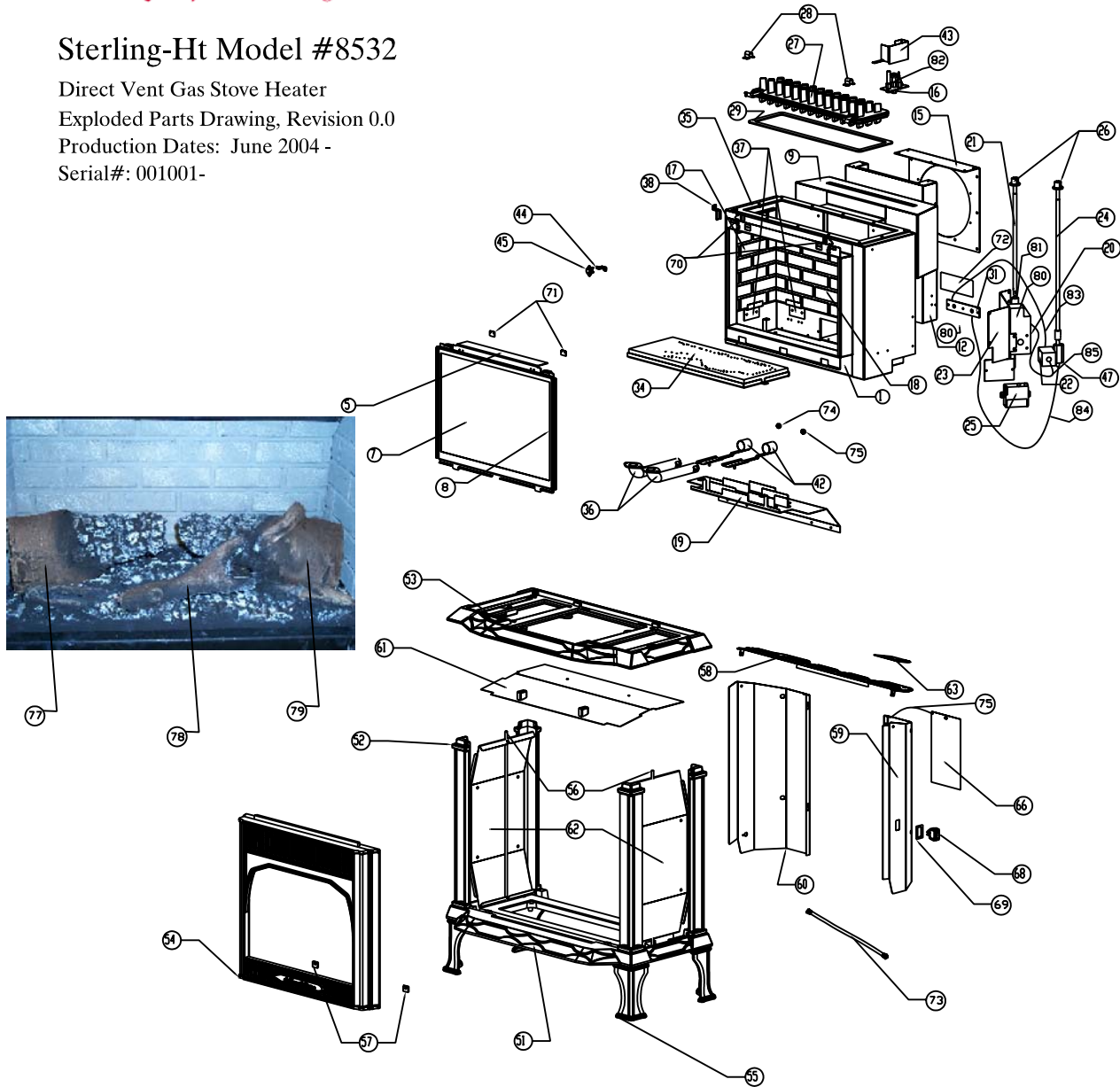


Sterling-Ht Model #8532

Direct Vent Gas Stove Heater
Exploded Parts Drawing, Revision 0.0
Production Dates: June 2004 -
Serial#: 001001-





Model: Sterling-*Ht* Direct Vent Model #8532

Production Dates: June 2004 -

Serial #: 001001 -

[Link to
Parts Pricelist](#)

Note: Color must be specified for cast iron parts which are available in enamel.

Key	Part #	Description
1	5532-010	Firebox
5	5532-050	Glass Frame
7	3030-042	Glass
8	3160-080	Glass Gasket Tape, 3/4"x1/16", w/Adhesive
9	5532-020	Exhaust Heat Exchanger
12	5532-015	Plenum
15	5532-090	Inlet Cover
16	7211-370	Pilot Burner
17	3120-531	Ceramic Side Panel
18	3120-530	Ceramic Rear Panel
19	5532-060	Baffle
20	7211-318	SIT Gas Valve
21	5532-075	Ember Valve Extension Rod
22	7211-054	Manifold
23	5532-070	Vlave Bracket
24	5532-077	Tube Vlave Extension Rod
25	7210-104	Battery Operated Ignitor
26	7211-403	Knob
27	2510-350	Heat Exchanger
28	5532-095	Heat Exchanger Hinge Plate
29	3160-531	Heat Exchanger Gasket
31	5532-017	Orifice Plate
34	7211-215	TEK Burner

35	2510-349	Heat Exchanger Base
36	7211-216	TEK Burner Venturi
37	5532-045	Ceramic Panel Retainer
38	5532-047	Ceramic Panel Clip
40	3160-530	Gasket Set
42	7211-214	Air Shutter
43	5532-014	Pilot Shield
44	5870-022	T-Stat Switch Strap
45	7000-300	T-Stat Blower Switch
47	7211-316	Ember Valve
51	2510-320	Bottom Cast
52	2510-330	Side Leg/Column
53	2510-360	Top Cast
54	2510-340	Front Cast
55	2510-310	Foot
56	5210-3060	Threaded Rod,1/4-20x20.5",5/8"&1-1/8"
57	4700-0620	Teflon Pad
58	5532-025	Rear Heatshield
59	5532-029	Right Rear Heatshield
60	5532-027	Left Rear Heatshield
61	5953-230	Deflector
62	5532-040	Stone Clip
63	3300-573	Knob Indicator Label
66	3300-565	Safety Rating/Lighting Instruction Label
68	7000-200	3-Way On/Off/T-Stat Switch
69	3300-334	Label: On/Off/T'Stat
70	5870-092	Glass Frame Retainer Clip
71	5870-095	Glass Clip
72	3300-578	Fuel Conversion Label
73	7000-032	Wire Harness
74	7200-243	Burner Orifice,#43
75	7200-120	Burner Orifice #55
76	5570-030	Label Cable
77	7211-506	Left Rear Log
78	7211-508	Center Log
79	7211-507	Right Rear Log
80	7210-105	Ignitor, Battry Operated
81	7211-406	Knob Extension
82	7211-136	Pilot Orifice LP
83	7211-017	Flex Tube,3/8"x18"
84	7211-018	Flex Tube,3/8"x12"
85	7211-027	Flex Tube,3/8"x6"