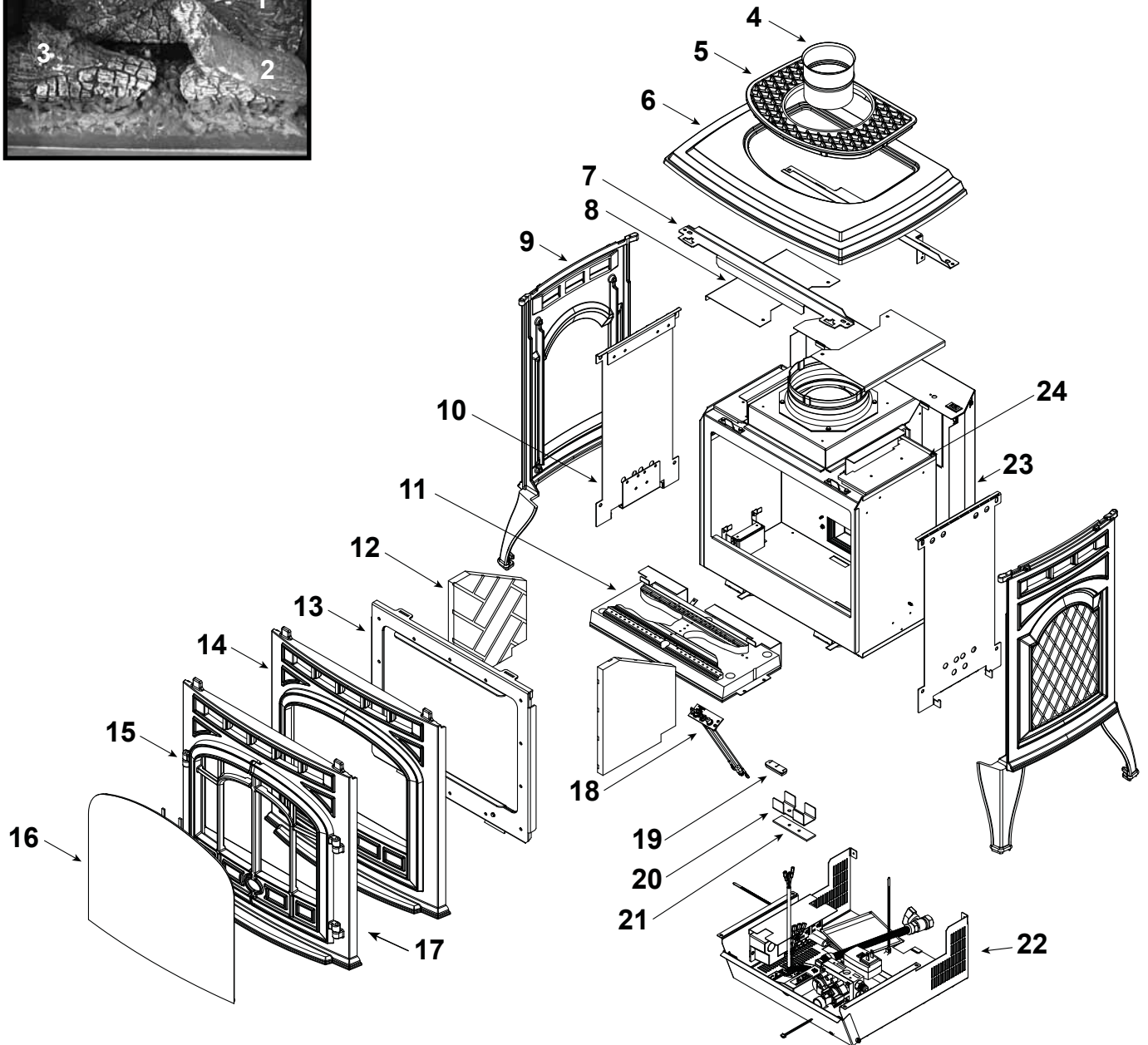
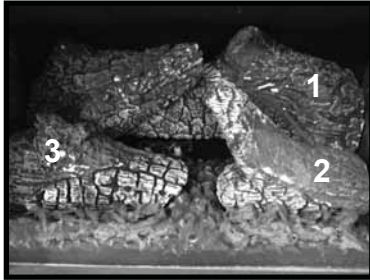


SAPH-MBK-IPI (Black), SAPH-D-PMH-IPI (Porcelain), SAPH-D-MBK-IPI (Black w/Doors), SAPH-D-CSB-IPI (Sienna)

Log Set Assembly



Part number list on following page.

IMPORTANT: THIS IS DATED INFORMATION. Parts must be ordered from a dealer or distributor. **Hearth and Home Technologies does not sell directly to consumers.** Provide model number and serial number when requesting service parts from your dealer or distributor.

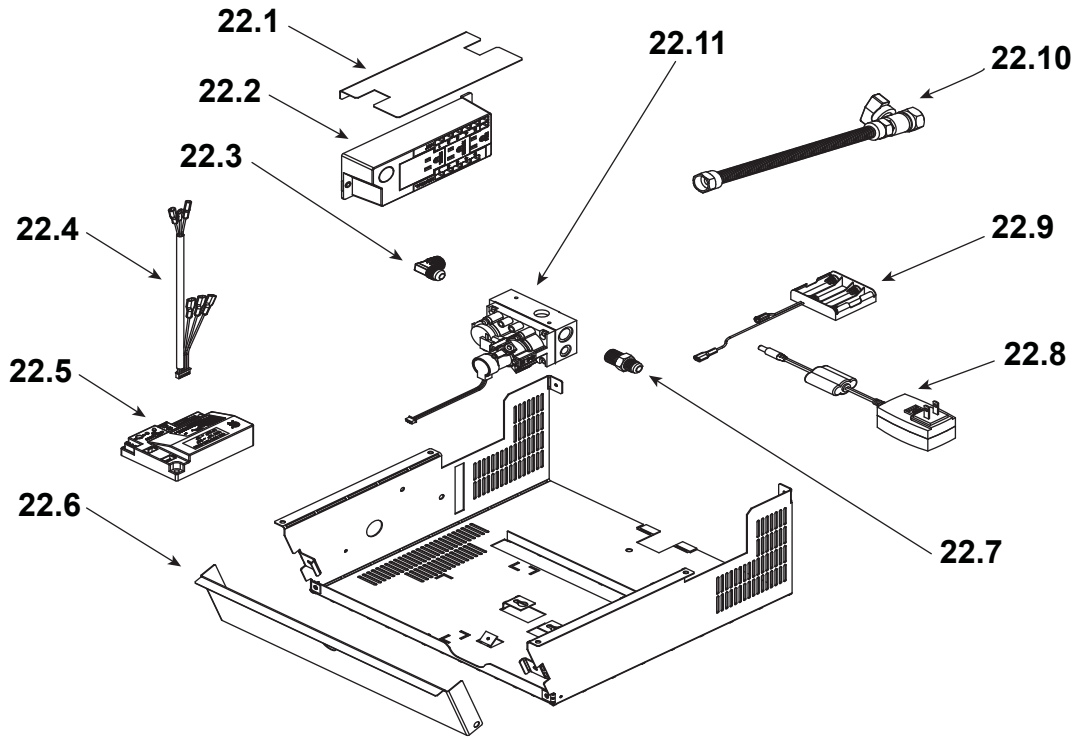


**Stocked
at Depot**

| ITEM | DESCRIPTION | COMMENTS: | PART NUMBER | |
|------|--------------------------------------|-------------------------|----------------|---|
| | Log Set Assembly | | LOGS-TS-IPI | Y |
| 1 | Log 1 | | SRV2342-701 | |
| 2 | Log 2 | | SRV2342-702 | |
| 3 | Log 3 | | SRV2342-703 | |
| 4 | SLP Stove Adaptor | | SLP-SAM | |
| 5 | Grill, Top Vent | Black | 455-0370MBK | |
| | | Brown | 455-0370PMH | |
| | | Sienna | 455-0370CSB | |
| 6 | Top | Black | SRV7055-101MBK | |
| | | Brown | SRV7055-101PMH | |
| | | Sienna | SRV7055-101CSB | |
| 7 | Cast Retainer | Front | SRV7055-108 | |
| | | Rear | 2343-109 | |
| 8 | Upper Fan Shroud | Qty 2 req | 2343-130 | |
| 9 | Side, Left or Right | Black | SRV7021-125MBK | |
| | | Brown | SRV7021-125PMH | |
| | | Sienna | SRV7021-125CSB | |
| 10 | Side Heat Shield | Qty 2 req | 2343-108 | |
| 11 | Conversion Kit w/Burner Assembly, NG | Sold as Set Only | NGKI-TIARAI | Y |
| | Conversion Kit w/Burner Assembly, LP | Sold as Set Only | LPKI-TIARAI | Y |
| 12 | Brick Set | | BRICK-TS | |
| 13 | Glass Frame Assembly | | GLA2342-019 | Y |
| 14 | Front, Soltaire | Black | SRV7055-123MBK | |
| | Front, Cabinet Style | Black | SRV7055-103MBK | |
| | | Brown | SRV7055-103PMH | |
| 15 | Door Left | Sienna | SRV7055-103CSB | |
| | | Black | SRV7055-107MBK | |
| | | Brown | SRV7055-107PMH | |
| 16 | Screen, Sapphire | | 7055-020 | |
| 17 | Door Right | Sienna | SRV7055-107CSB | |
| | | Black | SRV7055-105MBK | |
| | | Brown | SRV7055-105PMH | |
| 18 | Pilot Assembly, NG | | 2090-012 | Y |
| | Pilot Assembly, LP | | 2090-013 | Y |
| 19 | 3-Hole Grommet | | 2118-420 | |
| 20 | Air Shutter | | 2342-154 | |
| 21 | Gasket , Air Shutter | | 2342-159 | |

Additional service part numbers appear on following page.

#22 Valve Assembly



IMPORTANT: THIS IS DATED INFORMATION. Parts must be ordered from a dealer or distributor. **Hearth and Home Technologies does not sell directly to consumers.** Provide model number and serial number when requesting service parts from your dealer or distributor.



Stocked at Depot

| ITEM | DESCRIPTION | COMMENTS: | PART NUMBER | Stocked at Depot |
|-------|--------------------------------------|-----------|--------------|------------------|
| 22.1 | Heat Shield, J-Box | | 2342-132 | |
| 22.2 | Junction Box | | 4021-013 | Y |
| 22.3 | Male Elbow, 3/8" OD Flare x 3/8" NPT | | 4021-045 | |
| 22.4 | Wire Assembly | | 2166-304 | Y |
| 22.5 | Module | | 2166-338 | Y |
| 22.6 | Access Door | | 2342-112 | |
| 22.7 | Male Connector | Pkg of 5 | 303-315/5 | Y |
| 22.8 | Switch, DC Regulator | | 2326-131 | Y |
| 22.9 | Battery Pack | | 2166-323 | Y |
| 22.10 | 24" Flex Tube | | 3-40-2098034 | Y |
| 22.11 | Valve, NG | | 2166-302 | Y |
| | Valve, LP | | 2166-303 | Y |
| | | | | |
| | | | | |

Additional service part numbers appear on following page.

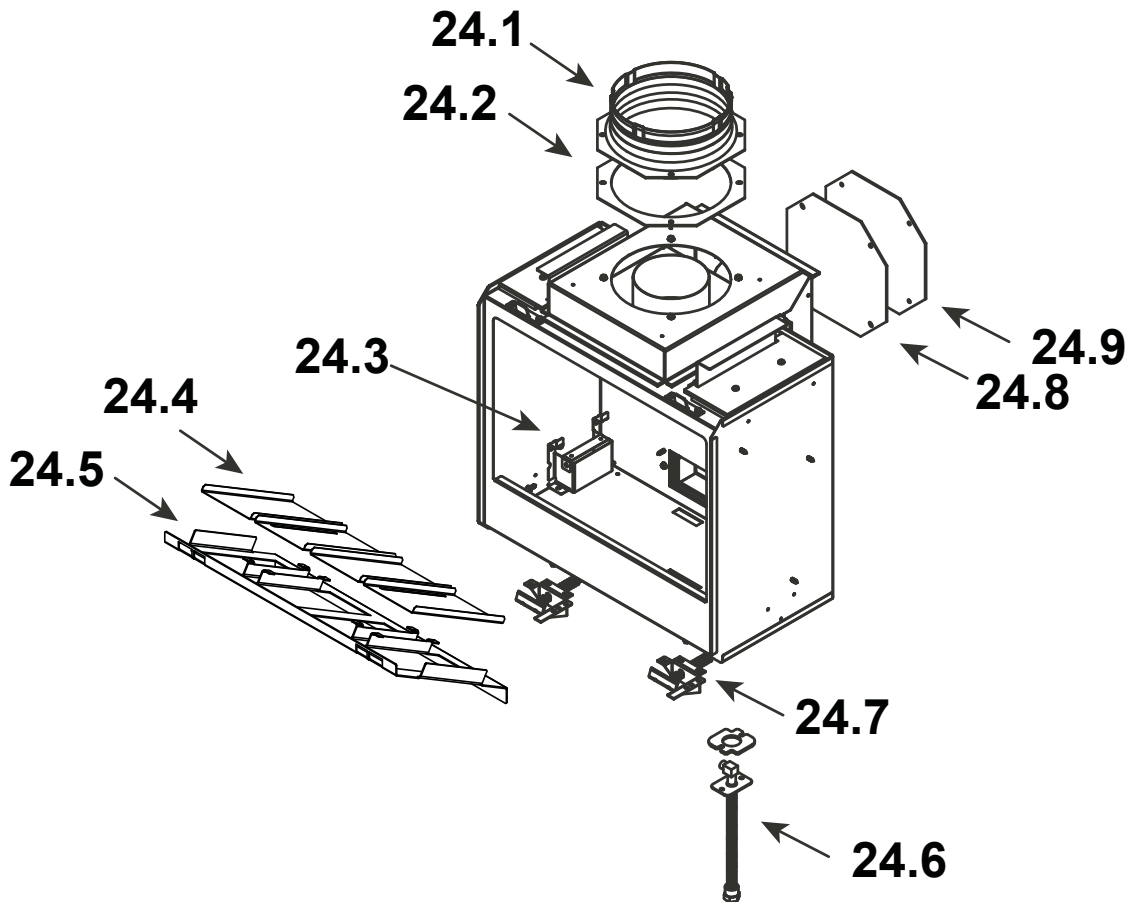
IMPORTANT: THIS IS DATED INFORMATION. Parts must be ordered from a dealer or distributor. **Hearth and Home Technologies does not sell directly to consumers.** Provide model number and serial number when requesting service parts from your dealer or distributor.



Stocked at Depot

| ITEM | DESCRIPTION | COMMENTS | PART NUMBER | |
|------|----------------------|----------|--------------|---|
| 23 | Back Shroud | | 2343-129 | |
| | On/Off Rocker Switch | | 060-511 | Y |
| | Wire Assembly | | 3-20-2159315 | Y |

#24 Firebox Assembly



| | | | | |
|------|-------------------------|-----------|----------|---|
| 24.1 | Starting Collar | | 2189-002 | |
| 24.2 | Gasket, Adaptor | | 460-0610 | |
| 24.3 | Burner Mounting Bracket | Qty 2 req | 2340-025 | |
| 24.4 | Baffle | Qty 4 req | 2342-140 | |
| 24.5 | Baffle Support | | 2342-139 | |
| 24.6 | Bulkhead | | 7000-156 | Y |
| 24.7 | Glass Clip Assembly | Pkg of 2 | 33858/2 | Y |
| 24.8 | Cover Plate Gasket | | 7010-160 | |
| 24.9 | Cover Plate | | 7010-159 | |

