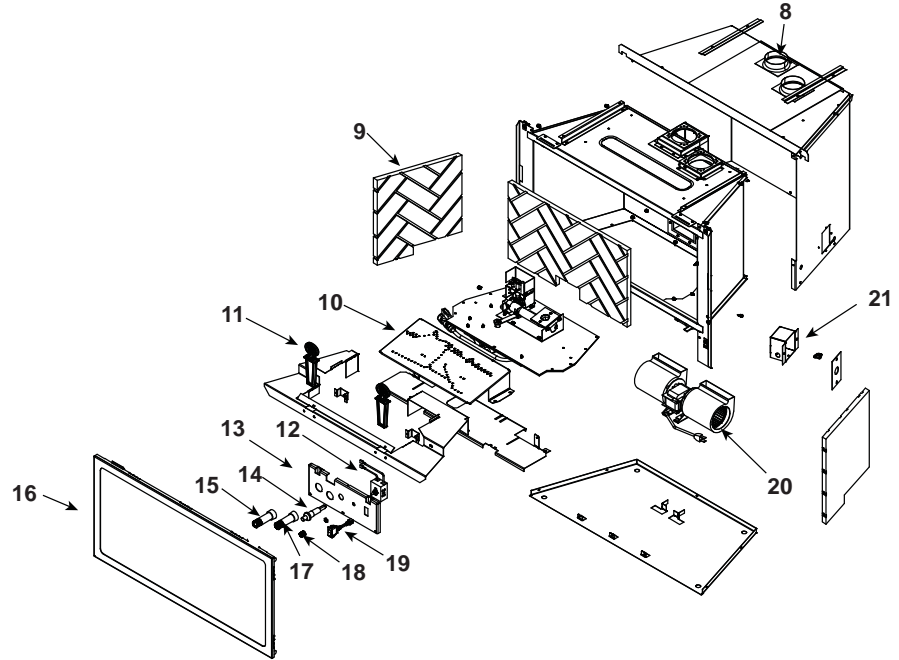
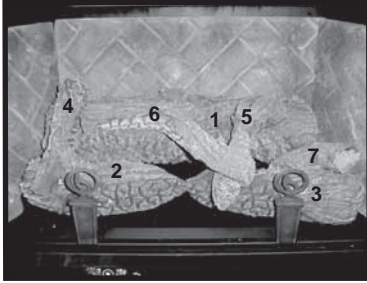


Log Set Assembly



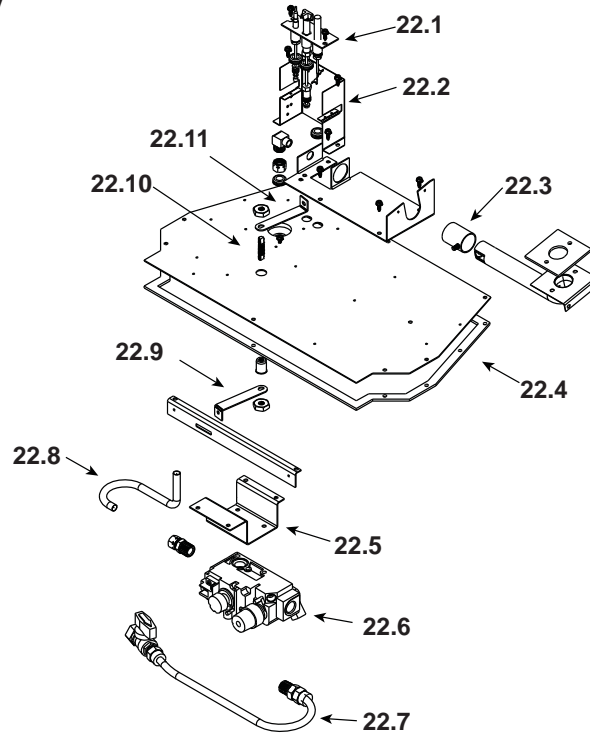
IMPORTANT: THIS IS DATED INFORMATION. Parts must be ordered from a dealer or distributor. **Hearth and Home Technologies does not sell directly to consumers.** Provide model number and serial number when requesting service parts from your dealer or distributor.



**Stocked
at Depot**

| ITEM | DESCRIPTION | COMMENTS | PART NUMBER | |
|------|--------------------------------|---------------------|-------------|---|
| | Log Set Assembly | | LOGS-QVI30 | Y |
| 1 | Log 1 | | SRV340-701 | |
| 2 | Log 2 | | SRV340-702 | |
| 3 | Log 3 | | SRV340-703 | |
| 4 | Log 4 | | SRV340-704 | |
| 5 | Log 5 | | SRV340-706 | |
| 6 | Log 6 | | SRV340-705 | |
| 7 | Log 7 | | SRV740-707 | |
| 8 | Fireplace Termination Assembly | | 319-213A | |
| 9 | Refractory Kit | | BRICK-QVI30 | |
| 10 | Burner | | 349-176A | Y |
| 11 | Andirons | | 80784 | |
| 12 | On/Off Rheostat | | 100-510A | Y |
| 13 | Control Panel | | 319-119 | |
| 14 | Piezo Ignitor | | 291-513 | Y |
| 15 | Flame Control Knob | No longer available | 571-531 | Y |
| 16 | Glass Door Assembly | | GLA-349 | Y |
| 17 | Pilot Control Knob | | 571-530 | Y |
| 18 | Rheostat Knob | | 100-512 | Y |
| 19 | On/Off Rocker Switch | | 060-511 | Y |
| 20 | Blower | | GFK-160A | |
| 21 | Junction Box | | 040-250A | Y |

#22 Valve Assembly



IMPORTANT: THIS IS DATED INFORMATION. Parts must be ordered from a dealer or distributor. **Hearth and Home Technologies does not sell directly to consumers.** Provide model number and serial number when requesting service parts from your dealer or distributor.



**Stocked
at Depot**

| ITEM | DESCRIPTION | COMMENTS | PART NUMBER | |
|-------|--------------------------|----------|-------------|---|
| 22.1 | Pilot Assembly NG | | 530-510A | Y |
| | Pilot Assembly LP | | 530-511A | Y |
| | Pilot Tube | | 446-301 | Y |
| | Thermocouple | | 446-511 | Y |
| | Thermopile | | 2103-512 | Y |
| 22.2 | Pilot Bracket | | 319-164 | |
| 22.3 | Shutter Bracket Assembly | | 2026-130 | Y |
| 22.4 | Valve Plate Gasket | | 319-401 | |
| 22.5 | Valve Bracket | | 319-145 | |
| 22.6 | Valve NG | | 060-522 | Y |
| | Valve LP | | 060-523 | Y |
| 22.7 | Flex Ball Valve Assembly | | 531-320A | Y |
| 22.8 | Flexible Gas Connector | | 477-301A | Y |
| 22.9 | Bottom Handle | | 319-168 | |
| 22.10 | D-Shaft | | 319-836 | |
| 22.11 | Top Handle | | 319-170 | |
| | Orifice NG (#35C) | | 582-835 | Y |
| | Orifice LP (#52C) | | 582-852 | Y |

Additional service part numbers appear on following page.

