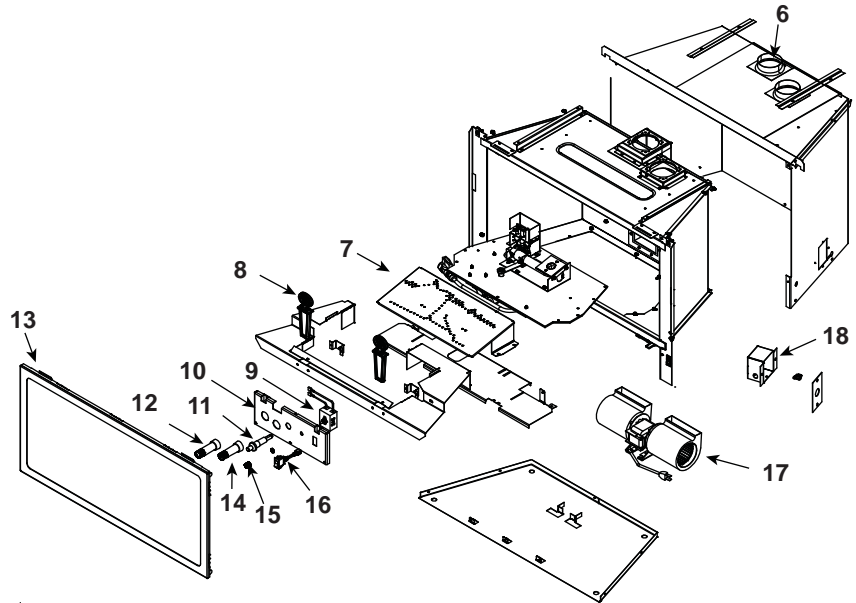


Log Set Assembly



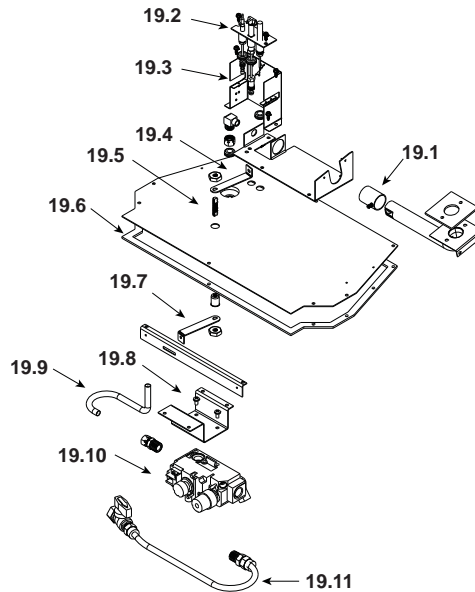
IMPORTANT: THIS IS DATED INFORMATION. Parts must be ordered from a dealer or distributor. **Hearth and Home Technologies does not sell directly to consumers.** Provide model number and serial number when requesting service parts from your dealer or distributor.



Stocked at Depot

ITEM	DESCRIPTION	COMMENTS	PART NUMBER	
	Log Set Assembly		LOGS-QVI25	Y
1	Log 1		SRV310-701	
2	Log 2		SRV310-702	
3	Log 3		SRV310-703	
4	Log 4		SRV340-704	
5	Log 5		SRV310-705	
6	Fireplace Termination Assembly		319-213A	
7	Burner NG, LP		319-176A	Y
8	Andirons		80784	
9	On/Off Rheostat		100-510A	Y
10	Control Panel		319-119	
11	Piezo Ignitor		291-513	Y
12	Flame Control Knob	No longer available	571-531	Y
13	Glass Door Assembly		GLA-319	Y
14	Pilot Control Knob		571-530	Y
15	Rheostat Knob		100-512	Y
16	On/Off Rocker Switch		060-511	Y
17	Blower		GFK-160A	
18	Junction Box		040-250A	Y
	Flex Pipe Handle		438-351	
	Lava Rock		4021-295	
	Mineral Wool		050-721	
	Touch Up Paint		TUP-GBK-12	

#19 Valve Assembly



IMPORTANT: THIS IS DATED INFORMATION. Parts must be ordered from a dealer or distributor. **Hearth and Home Technologies does not sell directly to consumers.** Provide model number and serial number when requesting service parts from your dealer or distributor.



**Stocked
at Depot**

ITEM	DESCRIPTION	COMMENTS	PART NUMBER	
19.1	Shutter Bracket Assembly		319-316A	Y
19.2	Pilot Assembly NG		530-510A	Y
	Pilot Assembly LP		530-511A	Y
	Pilot Tube		446-301	Y
	Thermocouple		446-511	Y
	Thermopile		2103-512	Y
19.3	Pilot Bracket		319-164	
19.4	Top Handle		319-167	
19.5	D-Shaft		319-836	
19.6	Valve Plate Gasket		319-401	
19.7	Bottom Handle		319-168	
19.8	Valve Bracket		319-145	
19.9	Flexible Gas Connector		477-301A	Y
19.10	Valve NG		060-522	Y
	Valve LP		060-523	Y
19.11	Flex Ball Valve Assembly		531-320A	Y
	Temp Sensor Switch		046-018A	Y
	Wire Assembly		2020-510	Y
	Orifice NG (#42C)		582-842	Y
	Orifice LP (#.057C)		582-057	Y
	Conversion Kit NG		NGK-QVI25	Y
	Conversion Kit LP		LPK-QVI25	Y
	Pilot Orifice NG		446-505	Y
	Pilot Orifice LP		446-517	Y