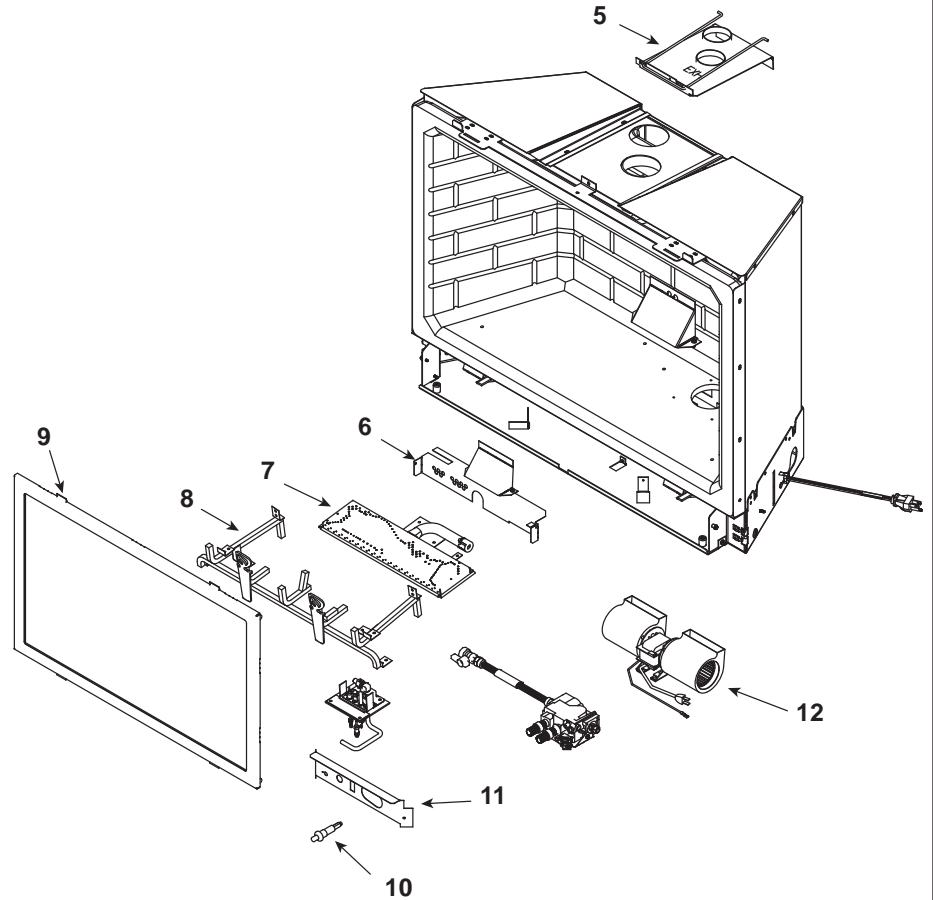


Log Set Assembly



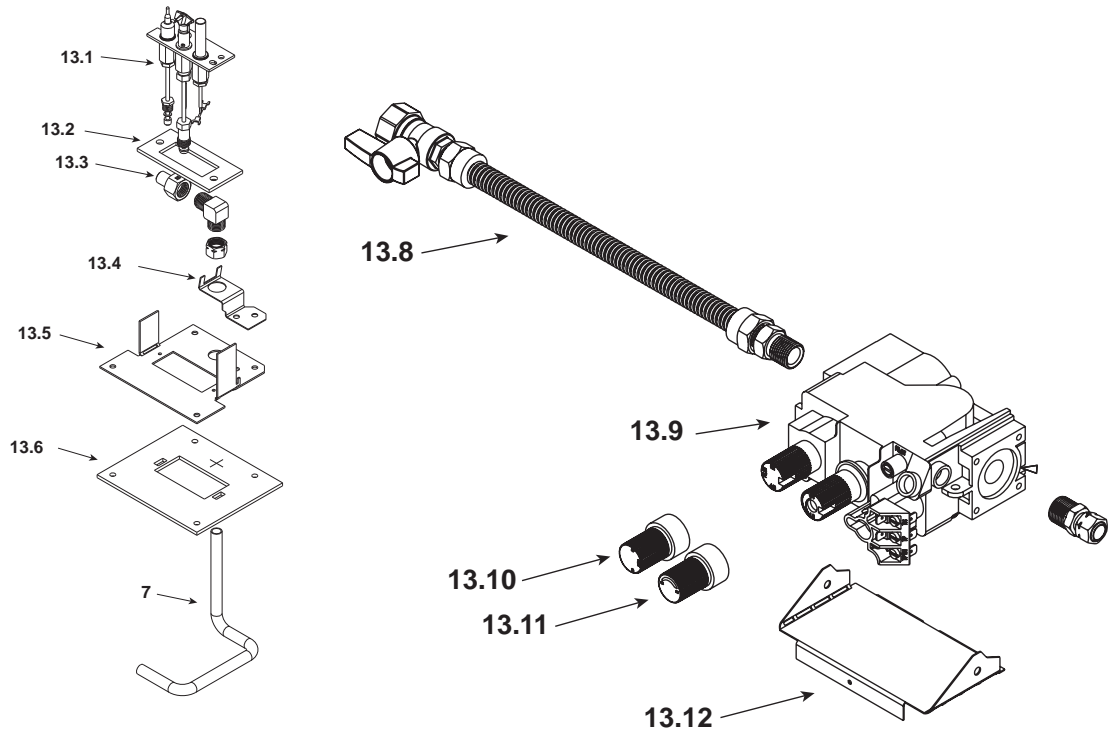
IMPORTANT: THIS IS DATED INFORMATION. When requesting service or replacement parts for your appliance please provide model number and serial number. All parts listed in this manual may be ordered from an authorized dealer.



Stocked at Depot

ITEM	DESCRIPTION	COMMENTS	PART NUMBER	
	Log Set Assembly		LOGS-CFXGB	Y
1	Log 1		SRV768-701	
2	Log 2		SRV768-704	
3	Log 3		SRV768-705	
4	Log 4		SRV582-705	
5	Slide Plate Assembly		783-108A	
	Slide Plate Handle		2019-201	
6	Baffle Assembly		2020-046	
7	Burner		768-188A	Y
8	Log Grate		2178-007	
9	Glass Door Assembly		GLA-FBG	Y
10	Piezo Ignitor		291-513	Y
11	Control Panel, Valve Cover Plate		783-125	
12	Blower Assembly		GFK-160A	

#13 Valve Assembly



IMPORTANT: THIS IS DATED INFORMATION. When requesting service or replacement parts for your appliance please provide model number and serial number. All parts listed in this manual may be ordered from an authorized dealer.



Stocked at Depot

ITEM	DESCRIPTION	COMMENTS	PART NUMBER	Stocked at Depot
13.1	Pilot Assembly NG		2103-010	Y
	Pilot Assembly LP		2103-011	Y
	Pilot Tube		SRV485-301	Y
	Thermocouple		2103-511	Y
	Thermopile		2103-512	Y
13.2	Pilot Gasket		768-432	
13.3	Burner Orifice NG (.125A)		768-801	Y
	Burner Orifice LP (#50A)		446-801	Y
13.4	Bracket: Orifice		778-169	
13.5	Bracket: Pilot		783-170	
13.6	Pilot Bracket Gasket		778-431	
13.7	Burner Tube		477-301A	Y
13.8	Flex Ball Valve Assembly		302-320A	Y
13.9	Valve NG		230-0710	Y
	Valve LP		230-0720	Y
13.10	Flame Control Knob		571-533	Y
13.11	Pilot Control Knob		571-534	Y
13.12	Bracket: Valve		773-147	

Additional service part numbers on following page.

IMPORTANT: THIS IS DATED INFORMATION. When requesting service or replacement parts for your appliance please provide model number and serial number. All parts listed in this manual may be ordered from an authorized dealer.



**Stocked
at Depot**

ITEM	DESCRIPTION	COMMENTS	PART NUMBER	
	Decorative Front		DF-35FBAF-BK-B	
	Fiber Patch Kit		SRV-PACK	
	Glass Latch Support Assembly	Pkg of 2	386-122A/2	Y
	High Temp Limit Switch		107-531A	Y
	Junction Box		040-250A	Y
	Mineral Wool		050-721	
	Rheostat Assembly		100-510A	Y
	Rheostat Knob		100-512	Y
	Vent Pipe Assembly		768-380A	
	Vermiculite Embers		MYSTIC-EMBERS	
	Wire Assembly		2020-069	Y
	Conversion Kit NG		NGKS-QVI35FB	Y
	Conversion Kit LP		LPKS-QVI35FB	Y
	Regulator NG		230-1570	Y
	Regulator LP		230-1520	Y
	Pilot Orifice NG		2103-116	Y
	Pilot Orifice LP		2103-117	Y