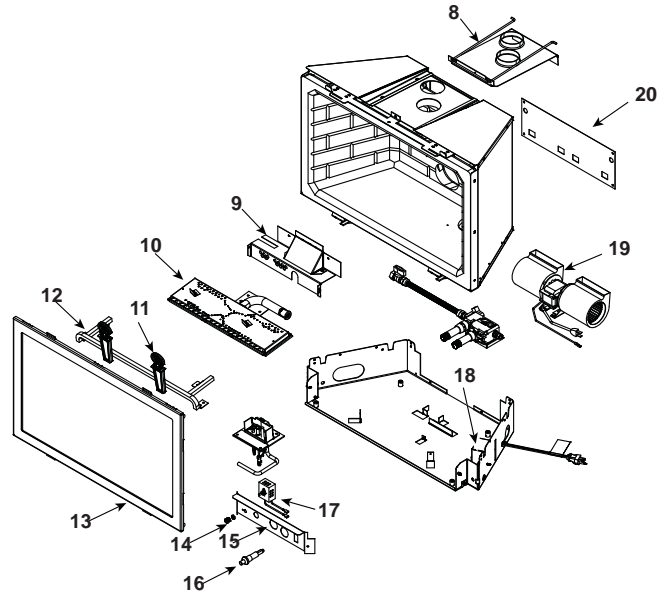
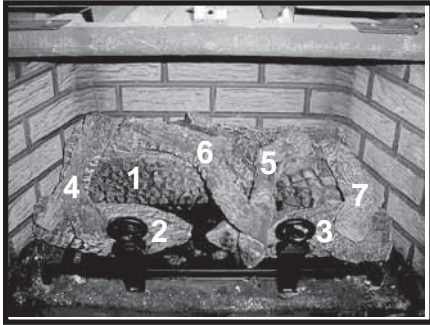


Log Set Assembly



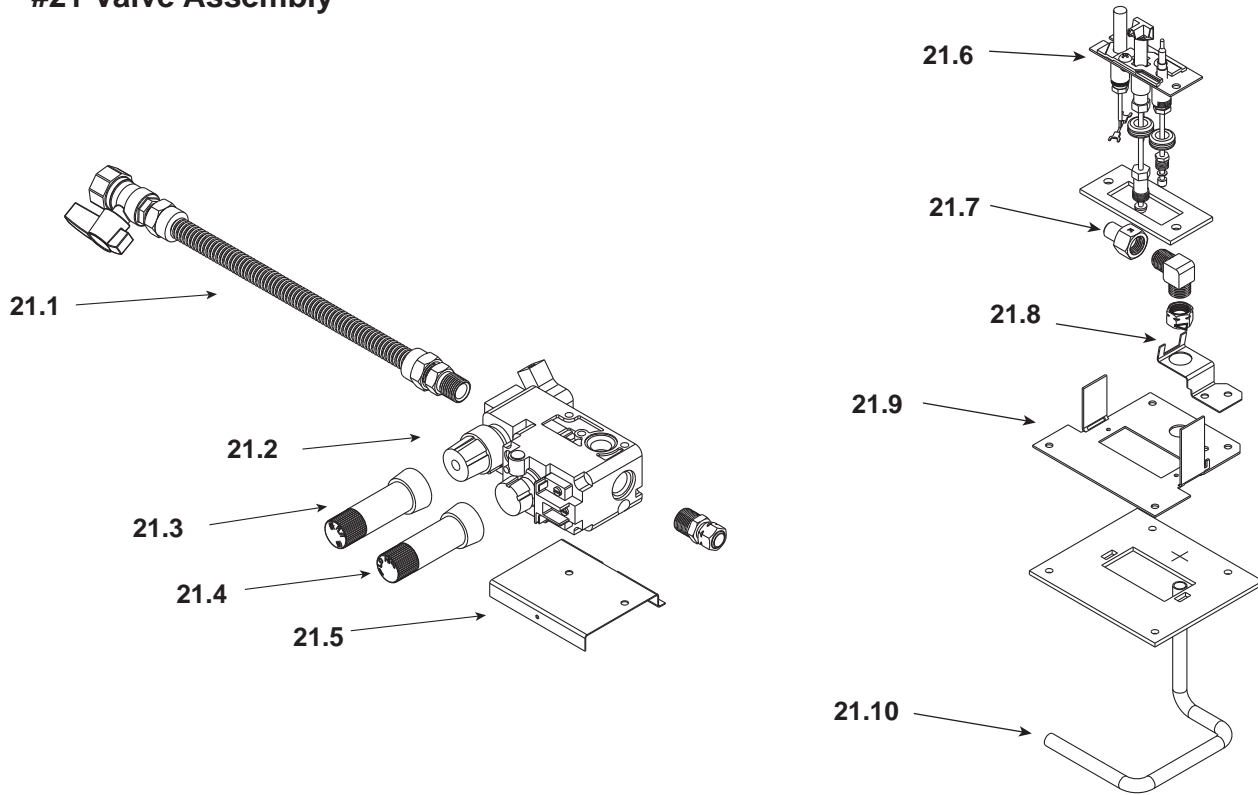
IMPORTANT: THIS IS DATED INFORMATION. Parts must be ordered from a dealer or distributor. **Hearth and Home Technologies does not sell directly to consumers.** Provide model number and serial number when requesting service parts from your dealer or distributor.



Stocked at Depot

ITEM	DESCRIPTION	COMMENTS	PART NUMBER	
	Log Set Assembly		LOGS-QVI30FB	Y
1	Log 1		SRV2020-140	
2	Log 2		SRV2020-141	
3	Log 3		SRV2020-142	
4	Log 4		SRV340-704	
5	Log 5		SRV340-706	
6	Log 6		SRV340-705	
7	Log 7		SRV740-707	
8	Slide Plate Assembly		783-108A	
	Slide Plate Handle		2019-201	
9	Baffle Assembly	Pre 002952745	783-147A	
		Post 002952745	2020-046	
10	Burner NG, LP		2020-024	Y
11	Andirion		434-0450	
12	Grate Assembly		2020-025	
13	Glass Door Assembly		GLA-FBINB	Y
14	Rheostat Knob		100-512	Y
15	Valve Cover Plate		783-120	
16	Piezo Ignitor		291-513	Y
17	Rheostat Assembly		100-510A	Y
18	Junction Box		040-250A	Y
19	Blower Assembly		GFK-160A	
20	Cover Plate		778-185	

#21 Valve Assembly



IMPORTANT: THIS IS DATED INFORMATION. Parts must be ordered from a dealer or distributor. **Hearth and Home Technologies does not sell directly to consumers.** Provide model number and serial number when requesting service parts from your dealer or distributor.



Stocked at Depot

ITEM	DESCRIPTION	COMMENTS	PART NUMBER	
21.1	Flex Ball Valve Assembly		302-320A	Y
21.2	Valve NG		060-522	Y
	Valve LP		060-523	Y
21.3	Pilot control Knob		571-530	
21.4	Flame Control Knob	No longer available	571-531	
21.5	Valve Bracket		773-145	
21.6	Pilot Assembly NG		485-510A	Y
	Pilot Assembly LP		485-511A	Y
	Pilot Tube		SRV485-301	Y
	Thermocouple		446-511	Y
	Thermopile		2103-512	Y
21.7	Orifice NG (#31A)		506-800	Y
	Orifice LP (#49A)		065-801	Y
21.8	Bracket, Orifice		778-169	
21.9	Bracket, Pilot		783-170	
21.10	Flexible Gas Connector		477-301A	Y

Additional service part numbers appear on following page.

