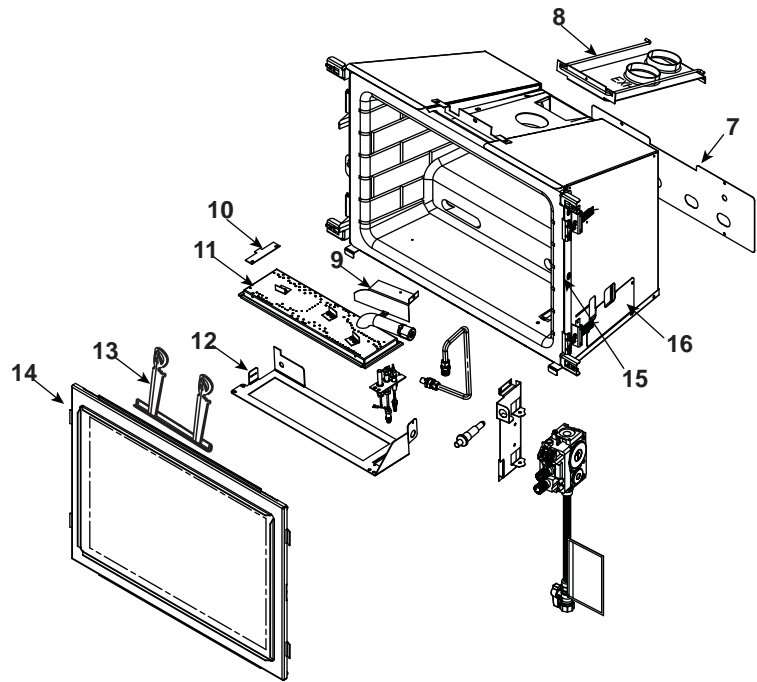


Log Set Assembly



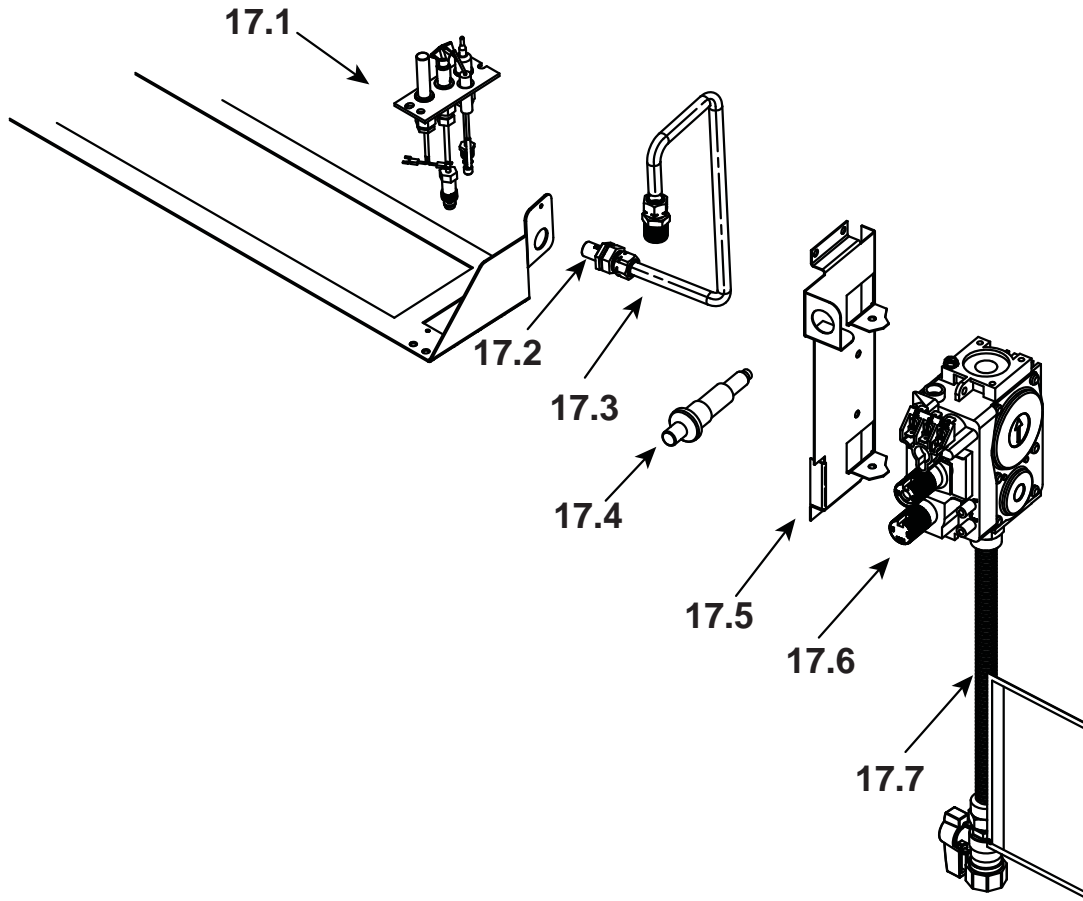
IMPORTANT: THIS IS DATED INFORMATION. When requesting service or replacement parts for your appliance please provide model number and serial number. All parts listed in this manual may be ordered from an authorized dealer.



Stocked at Depot

| ITEM | DESCRIPTION | COMMENTS | PART NUMBER | |
|------|-----------------------|----------|-------------|---|
| | Log Set Assembly | | LOGS-2031 | Y |
| 1 | Log 1 | | SRV2032-701 | |
| 2 | Log 2 | | SRV2032-702 | |
| 3 | Log 3 | | SRV2032-703 | |
| 4 | Log 4 | | SRV340-704 | |
| 5 | Log 5 | | SRV340-705 | |
| 6 | Log 6 | | SRV740-707 | |
| 7 | Access Plate: Fan | | 2019-111 | |
| 8 | Slide Plate Assembly | | 2019-096 | |
| | Slide Plate Handle | | 2019-201 | |
| 9 | Air Baffle | | 2019-165 | |
| 10 | Burner Key | | 2019-166 | |
| 11 | Burner NG, LP | | 2031-003 | Y |
| 12 | Burner Drop Plate | | 2019-164 | |
| 13 | Grate Assembly | | 2031-020 | |
| 14 | Glass Door Assembly | | GLA-2019 | Y |
| 15 | Surround Mount, Right | | 2019-205 | |
| | Surround Mount Left | | 2019-196 | |
| 16 | Access Plate | | 2019-116 | |

#17 Valve Assembly



IMPORTANT: THIS IS DATED INFORMATION. When requesting service or replacement parts for your appliance please provide model number and serial number. All parts listed in this manual may be ordered from an authorized dealer.



**Stocked
at Depot**

| ITEM | DESCRIPTION | COMMENTS | PART NUMBER | |
|------|--------------------------|----------|-------------|---|
| 17.1 | Pilot Assembly NG | | 2103-010 | Y |
| | Pilot Assembly LP | | 2103-011 | Y |
| | Pilot Tube | | SRV485-301 | Y |
| | Thermocouple | | 2103-511 | Y |
| | Thermopile | | 2103-512 | Y |
| 17.2 | Orifice NG (#36B) | | 567-801 | Y |
| | Orifice LP (#52B) | | 074-801 | Y |
| 17.3 | Flexible Gas Connector | | 567-301A | Y |
| 17.4 | Piezo Ignitor | | 291-513 | Y |
| 17.5 | Valve Bracket | | 2019-107 | |
| 17.6 | Valve NG | | 230-0710 | Y |
| | Valve LP | | 230-0720 | Y |
| 17.7 | Flex Ball Valve Assembly | | 302-320A | Y |

Additional service part numbers appear on following page.

