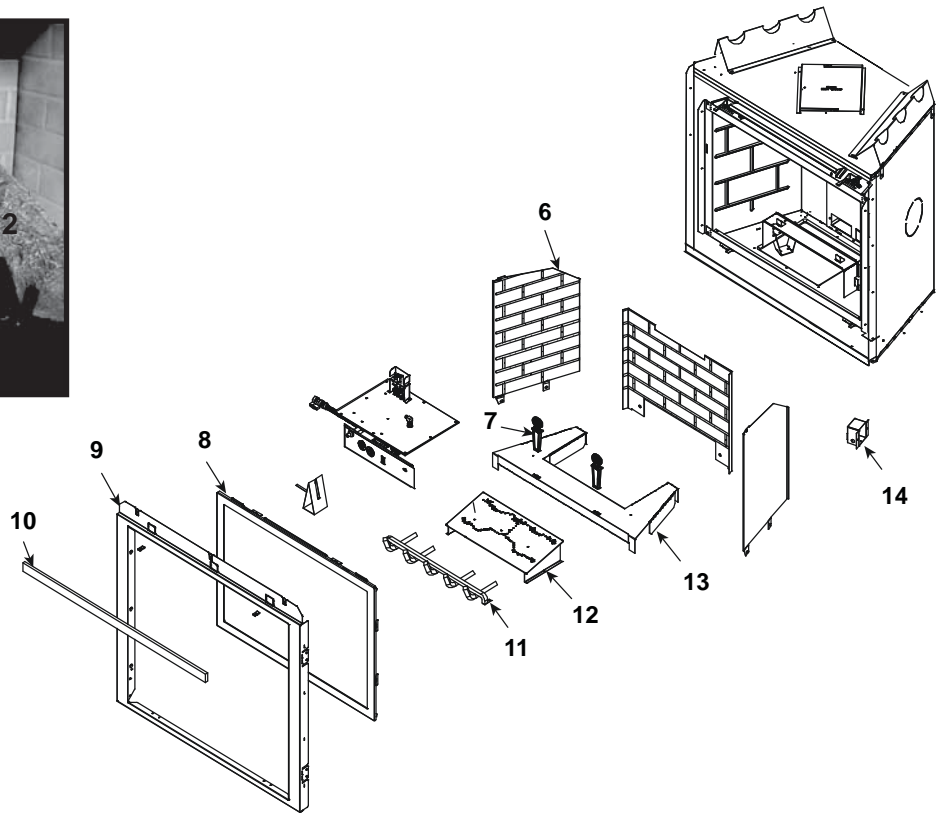


Log Set Assembly



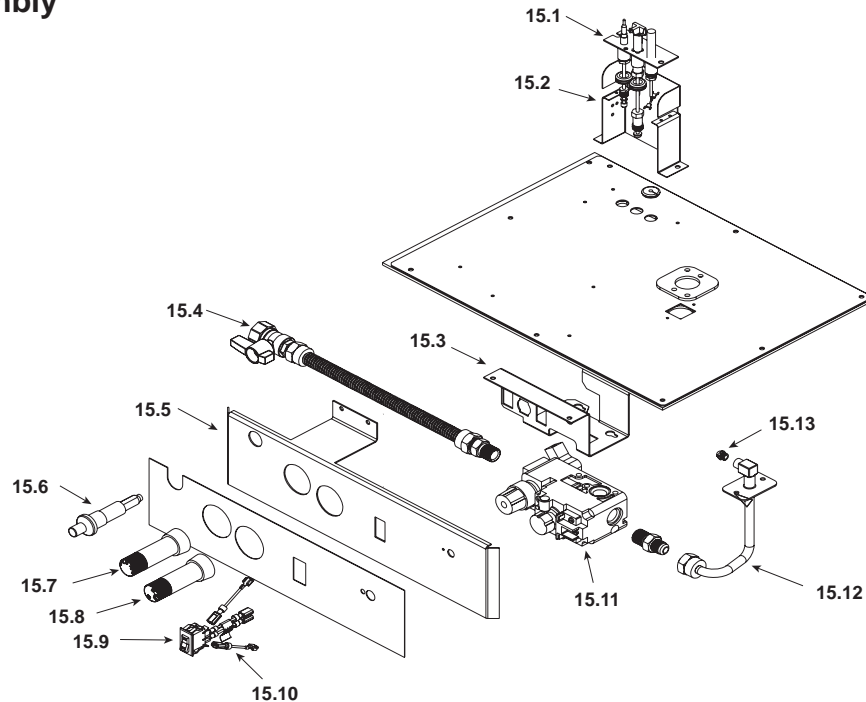
IMPORTANT: THIS IS DATED INFORMATION. Parts must be ordered from a dealer or distributor. **Hearth and Home Technologies does not sell directly to consumers.** Provide model number and serial number when requesting service parts from your dealer or distributor.



**Stocked
at Depot**

ITEM	DESCRIPTION	COMMENTS	PART NUMBER	
	Log Set Assembly		LOGS-2017	Y
1	Log 1		SRV2016-701	
2	Log 2		SRV385-736	
3	Log 3		SRV278-704	
4	Log 4		SRV2018-704	
5	Log 5		SRV780-707	
6	Refractory Kit (Sold as set only)		BRICK-295	
7	Andirons, Cast		80784	
8	Glass Door Assembly		GLA-6TROC	Y
9	Surround		SRV2101-260	
10	Insulation Board		385-401	
11	Log Grate		2017-001	
12	Burner NG		2017-003	Y
13	Base Refractory NG, LP		292-124	
14	Junction Box		4021-013	Y

#15 Valve Assembly



IMPORTANT: THIS IS DATED INFORMATION. Parts must be ordered from a dealer or distributor. **Hearth and Home Technologies does not sell directly to consumers.** Provide model number and serial number when requesting service parts from your dealer or distributor.



**Stocked
at Depot**

ITEM	DESCRIPTION	COMMENTS	PART NUMBER	
15.1	Pilot Assembly NG		485-510A	Y
	Pilot Assembly LP		485-511A	Y
	Pilot Tube		SRV485-301	Y
	Thermocouple		446-511	Y
	Thermopile		2103-512	Y
15.2	Pilot Bracket		385-164	
15.3	Valve Bracket		2025-101	
15.4	Flex Ball Valve Assembly		302-320A	Y
15.5	Control Panel	No longer available	295-119	
15.6	Piezo Ignitor		291-513	Y
15.7	Flame Control Knob	No longer available	571-531	Y
15.8	Pilot Control Knob		571-530	Y
15.9	ON/OFF Rocker Switch		060-521A	Y
15.10	Jumper Wire		049-552A	Y
15.11	Valve NG		060-522	Y
	Valve LP		060-523	Y
15.12	Flexible Gas Connector		383-302A	Y
15.13	Burner Orifice NG (#36C)		582-836	Y
	Burner Orifice LP (#51C)		582-851	Y

Additional service part numbers may appear on following page.

Beginning Manufacturing Date: Aug 2003
Ending Manufacturing Date: Jan 2007

IMPORTANT: THIS IS DATED INFORMATION. Parts must be ordered from a dealer or distributor. **Hearth and Home Technologies does not sell directly to consumers.** Provide model number and serial number when requesting service parts from your dealer or distributor.



Stocked
at Depot

ITEM	DESCRIPTION	COMMENTS	PART NUMBER	
	Exhaust Shield		385-105	
	Flue Restrictor		385-128	
	Glass Latch Assembly	Pkg of 2	386-122A/2	Y
	Lava Rock Bag		4021-297	
	Log Support		364-121	
	Mineral Wool		050-721	
	Touch Up Paint		TUP-GBK-12	
	Conversion Kit NG		NGK-2017	Y
	Conversion Kit LP		LPK-2017	Y
	Regulator NG		060-518	Y
	Regulator LP		060-519	Y
	Pilot Orifice NG		446-505	Y
	Pilot Orifice LP		446-517	Y