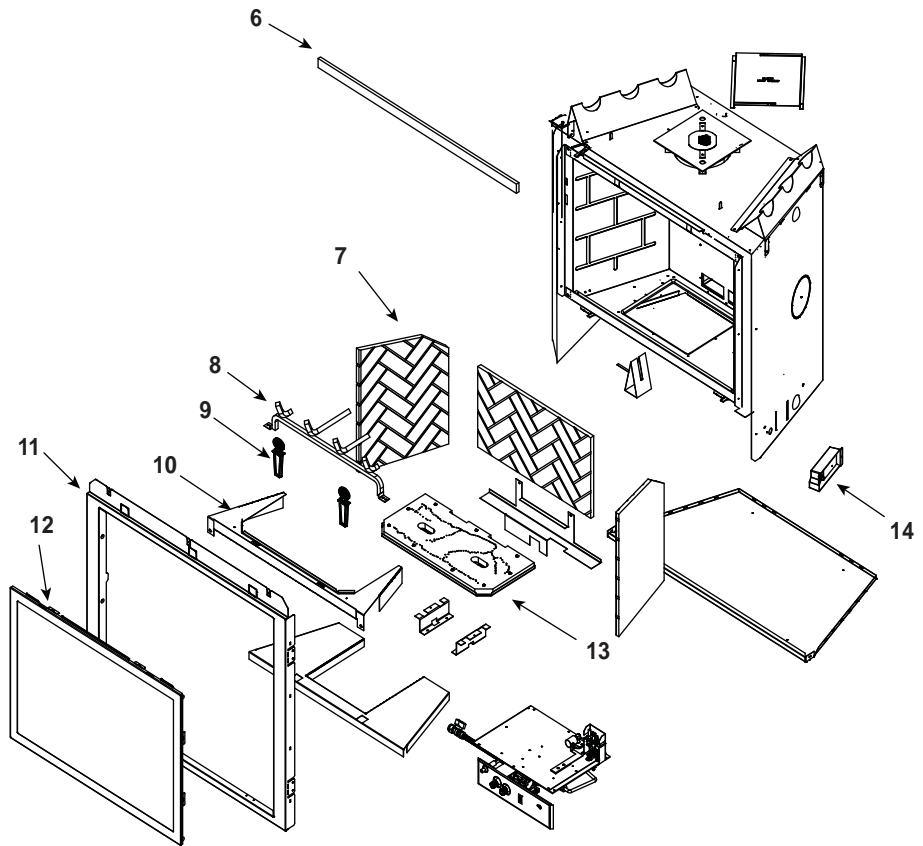


## Log Set Assembly



IMPORTANT: THIS IS DATED INFORMATION. Parts must be ordered from a dealer or distributor. **Hearth and Home Technologies does not sell directly to consumers.** Provide model number and serial number when requesting service parts from your dealer or distributor.

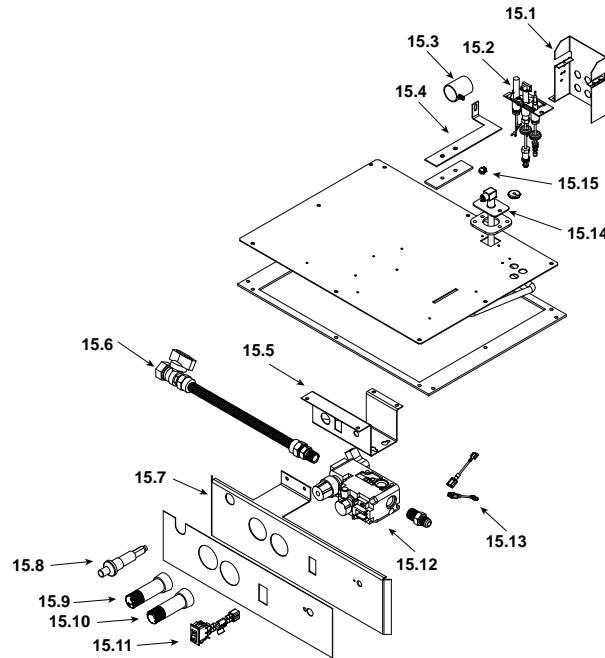


**Stocked  
at Depot**

ITEM	DESCRIPTION	COMMENTS	PART NUMBER	
	Log Set Assembly		LOGS-2018	Y
1	Log 1		SRV2018-701	
2	Log 2		SRV385-736	
3	Log 3		SRV278-704	
4	Log 4		SRV2018-704	
5	Log 5		SRV780-707	
6	Non Combustible board		385-401	
7	Refractory Kit (Sold as set only)		BRICK-292	
8	Log Grate		2018-001	
9	Andirons, Cast		80784	
10	Base Refractory NG, LP		2018-100	
11	Surround		2026-108	
12	Glass Door Assembly		GLA-6TRXI	Y
13	Burner		2018-005	Y
14	Junction Box		4021-013	Y

Beginning Manufacturing Date: Sept 2003  
Ending Manufacturing Date: May 2008

## #15 Valve Assembly



IMPORTANT: THIS IS DATED INFORMATION. Parts must be ordered from a dealer or distributor. **Hearth and Home Technologies does not sell directly to consumers.** Provide model number and serial number when requesting service parts from your dealer or distributor.



**Stocked  
at Depot**

ITEM	DESCRIPTION	COMMENTS	PART NUMBER	
15.1	Pilot Bracket		2018-107	
15.2	Pilot Assembly NG		530-510A	Y
	Pilot Assembly LP		530-511A	Y
	Pilot Tube		SRV485-301	Y
	Thermocouple		446-511	Y
	Thermopile		2103-512	Y
15.3	Shutter Assembly		319-316A	Y
15.4	Shutter Bracket Assembly		2026-017	Y
15.5	Valve Bracket		550-169	
15.6	Flex Ball Valve Assembly		302-320A	Y
15.7	Control Panel	No longer available	295-119	
15.8	Piezo Ignitor		291-513	Y
15.9	Pilot Control Knob		571-530	Y
15.10	Flame Control Knob	No longer available	571-531	Y
15.11	ON/OFF Rocker Switch		060-521A	Y
15.12	Valve NG		060-522	Y
	Valve LP		060-523	Y
15.13	Wire Assembly		049-552A	Y
15.14	Flexible Gas Connector		383-302A	Y
15.15	Orifice NG (3.1 MM)		582-8310	Y
	Orifice LP ( 1.8 MM)		582-818	Y

Additional service part numbers appear on following page.

